








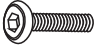




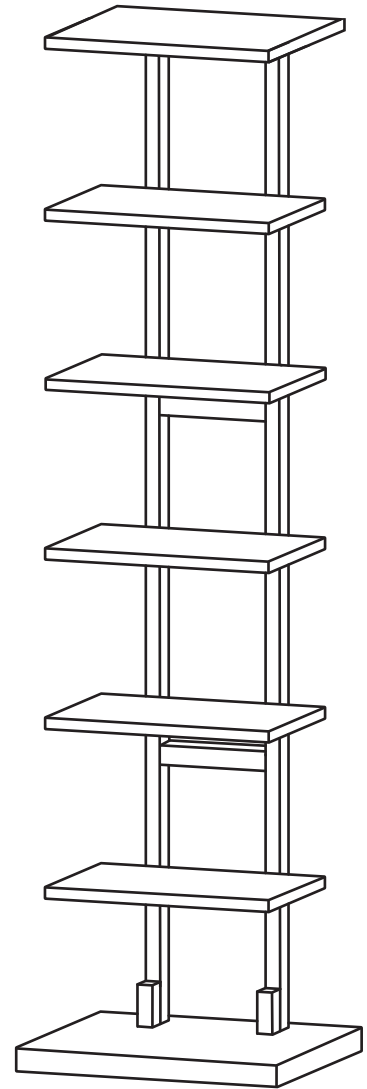
No Room Wood Book Tower

Parts List






| Item | Description | QTY |
|------|---|-----|
| (A) |  | 1 |
| (B) |  | 5 |
| (C) |  | 1 |
| (D) |  | 1 |

Hardware List

| Item | Description | QTY |
|------|---|-----|
| (1) | ∅6mmx30mm  | 2 |
| (2) | ∅16mm  | 16 |
| (3) | ∅13mm  | 4 |
| (4) | ∅6mmx65mm  | 10 |
| (5) |  | 10 |
| (6) | ∅8mmx35mm  | 4 |
| (7) |  | 1 |
| (8) |  | 1 |

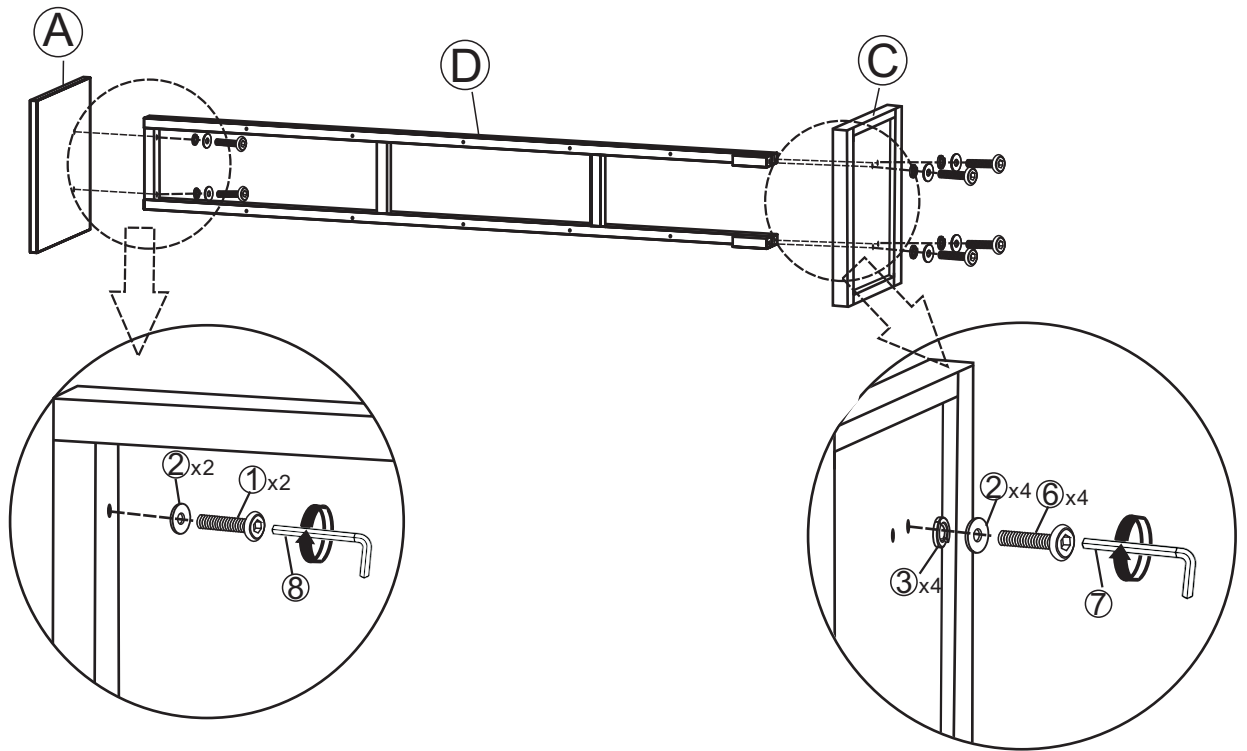


TIP RESISTANT KIT

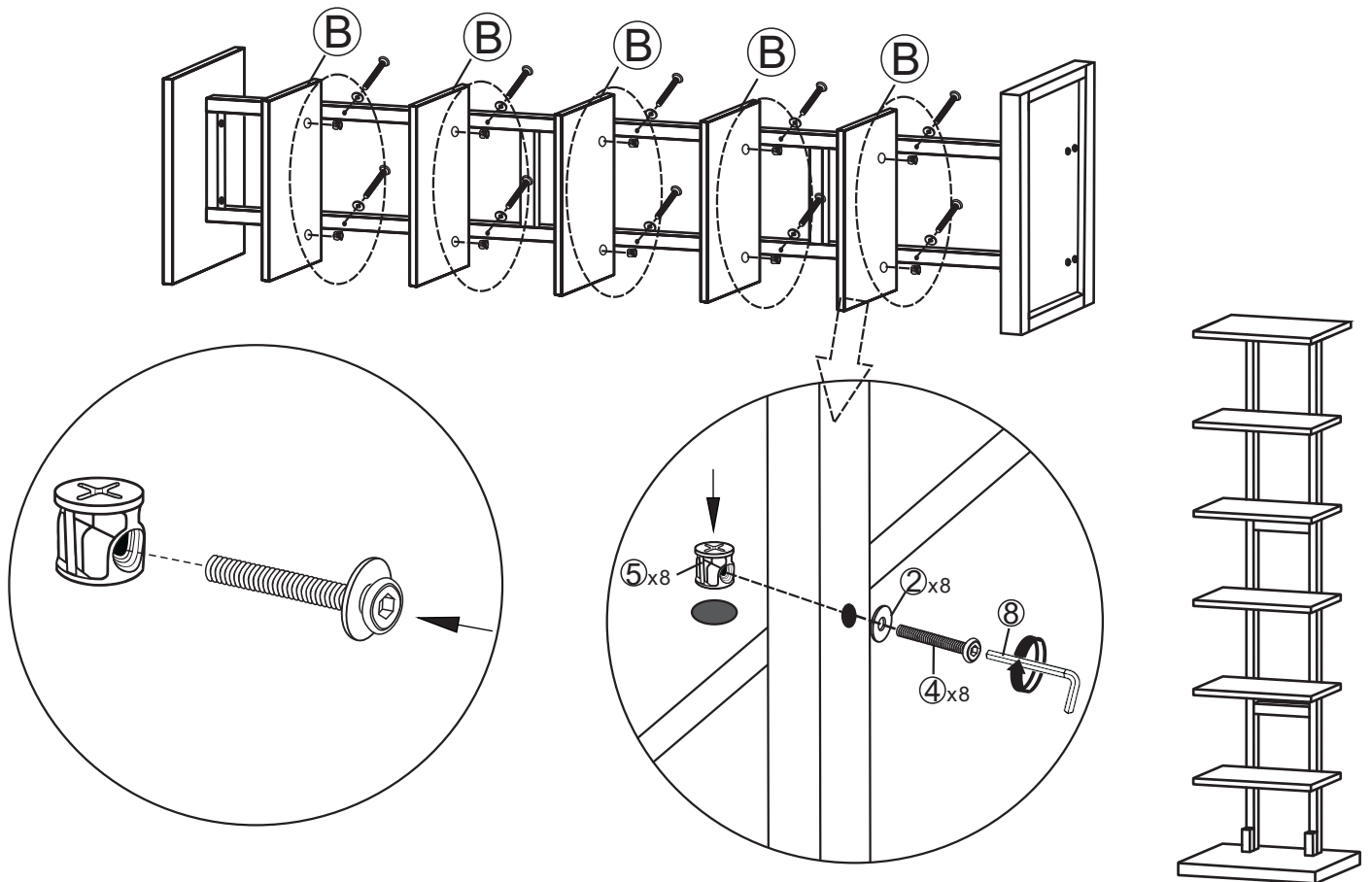
| Item | Description | QTY | Item | Description | QTY |
|------|---|-----|------|---|-----|
| (a) |  | 2 | (b) |  | 2 |
| (c) |  | 2 | (d) |  | 2 |
| (e) |  | 1 | | | |

1. CAREFULLY PLACE ALL COMPONENTS ON A RUG, TOWEL, BLANKET OR OTHER PROTECTIVE SURFACE.

Step 1

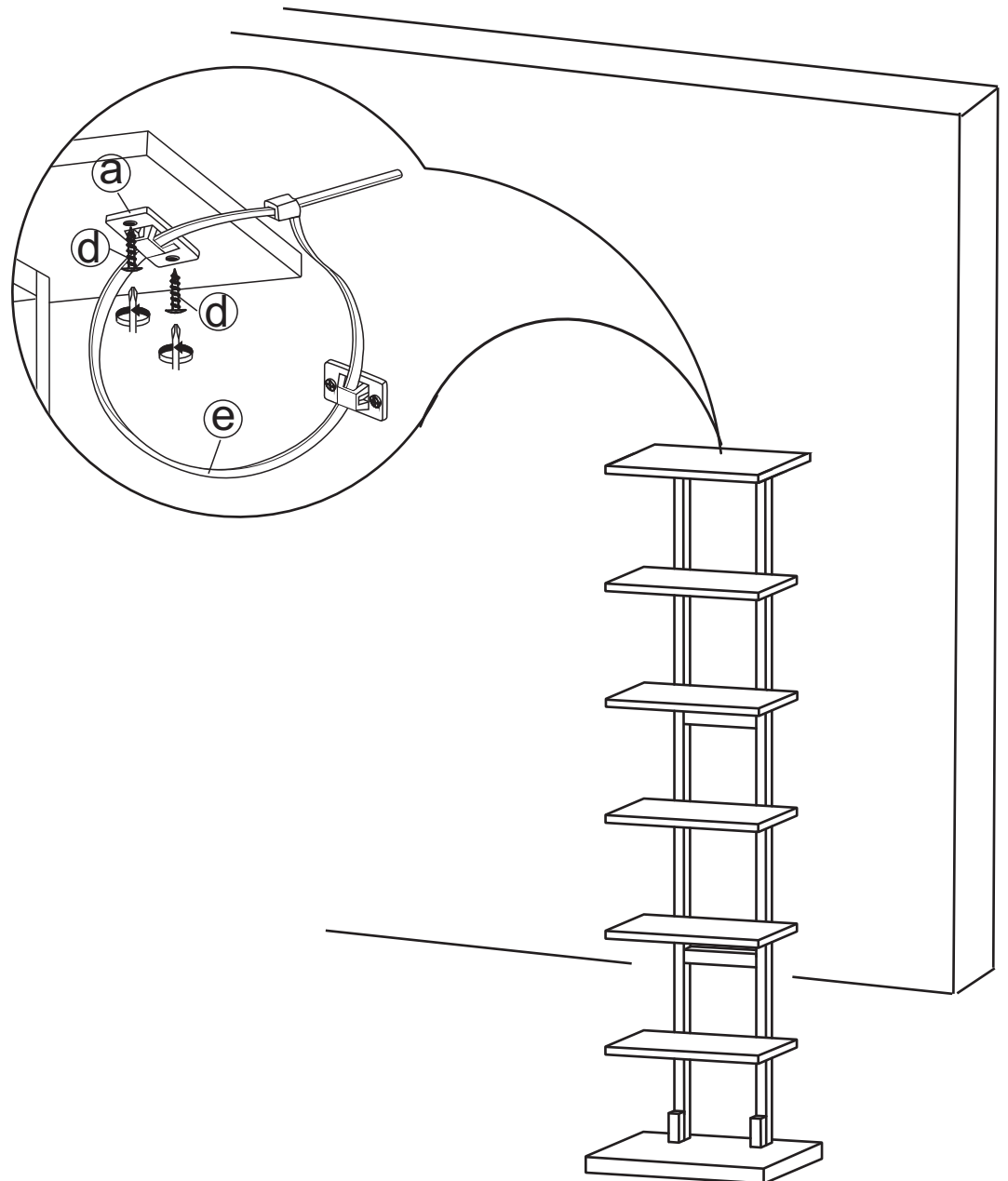
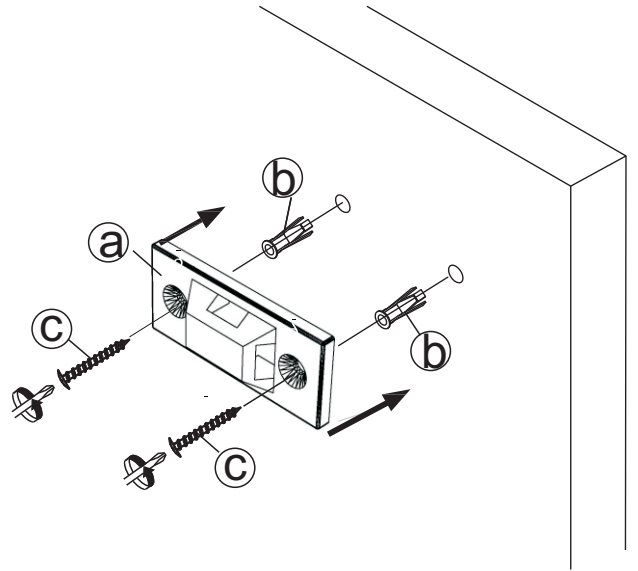


Step 2



Step 3

TO AVOID ITEM FROM TIPPING OVER, PLEASE USE TIP RESISTANT KIT. USE A PENCIL TO MAKE A MARK IN THE WALL. DRILL A HOLE ON THE MARKED SPOT. INSERT THE PLASTIC ANCHOR(b) INTO THE DRILLED HOLE. FIX THE PLASTIC BRACKET (e) ONTO THE WALL WITH THE LONG SCREW(d) INTO THE PLASTIC ANCHOR(b). FIX THE PLASTIC BRACKET(e) TO THE BACK OF THE FURNITURE USING THE SCREW(c). THREAD THE ANTI-TIPPING STRAP(a) THROUGH THE BRACKETS(e). FASTEN THE STRAP(a) BY PULLING THE END THROUGH THE HOLE AS FAR AS IT CAN GO. MAKE SURE THE STRAP IS SECURELY FASTENED BEFORE USE.





WARNING



Children have died from furniture tipover. To reduce the risk of furniture tipover:

- ALWAYS install tipover restraint provided.
- NEVER put a TV on this product.
- NEVER allow children to stand, climb or hang on drawers, doors, or shelves.
- NEVER open more than one drawer at a time.
- Place heaviest items in the lowest drawers.



*This is a permanent label.
do not remove!*