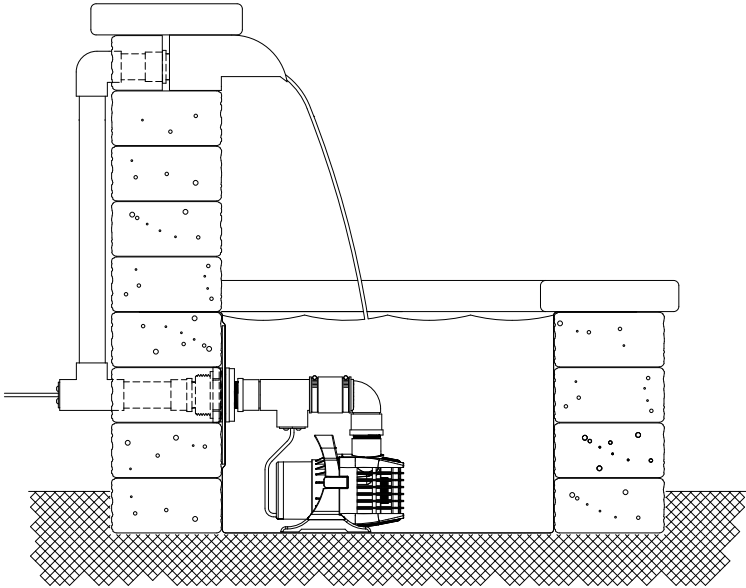




# Atlantic®



[www.ATLANTIC-OASE.com](http://www.ATLANTIC-OASE.com)



Product Manual

FFKIT1 - 87754

# Introduction

Thank you for selecting an Atlantic Flexible Basin Plumbing Kit. Before using the Kit, please take a moment to review this manual. Atlantic also provides installation videos on the website [www.atlantic-oase.com](http://www.atlantic-oase.com). We recommend that you review pertinent videos if possible before proceeding.

FFKIT1 Plumbing Kits are designed to seamlessly plumb TidalWave TT-Series and MD-Series pumps to decorative features on Flexible Hardscape Basins, and contain all the fittings and silicone needed to simplify installations.

# Installation

Install the bulkhead fitting and position the Flex Basin in the block surround following the instructions included with the flex basin (figure 1).

Attach the pump discharge elbow to the TT-Series pump. Hand tighten the assembly and orient the elbow so it is positioned over the pump body. Glue the included nipple into one of the long legs of the tee and glue the tee assembly into the union opposite the threaded end (figure 2).

Screw the threaded end of the union into the bulkhead fitting. Pass the pump cord into the short leg of the tee and work the cord through the tee, union and bulkhead fitting. The union may be disassembled if needed to facilitate cord passage. The Cord Seal Fitting will seal around the pump cord so it can pass through the plumbing without leaking. Disassemble the Cord Seal Fitting and slip the rubber gasket around the pump cord. Reassemble the Cord Seal Fitting Ensuring the molded-in nuts are facing towards the tee. Be sure to align the inner and outer halves at 90° to each other and then start the screws (figure 3).

Loosen the union as needed to orient the tee to a convenient position then push the Cord Seal Fitting into the tee, leaving enough slack in the pump cord to allow for pump maintenance and servicing. Tighten the Cord Seal Fitting. Align the tee downwards and tighten the union, then glue the pump discharge elbow into the union assembly (figure 4).

Move to the back side of the wall to finish the remainder of the plumbing work. Slide a male thread adapter over the pump cord. Apply silicone to the threads and install the adapter in the bulkhead fitting. Then, measure and cut a piece of pipe to extend from the male thread adapter to the back of the wall. Slide the section of cut pipe over the pump cord and glue into the male thread adapter. Next,

Figure 1

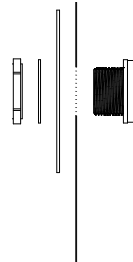


Figure 2

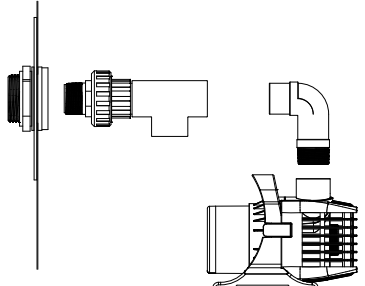


Figure 3

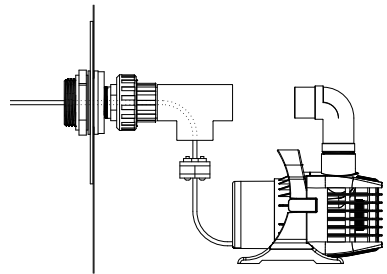
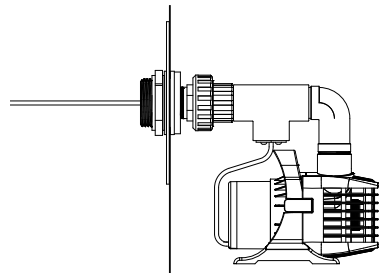
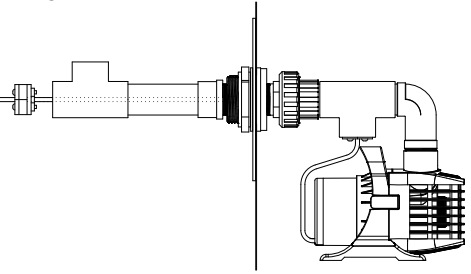


Figure 4



slide a tee over the cord and glue that to the section of pipe, aligning the side-outlet of the tee towards the center of the back wall. Disassemble and reassemble a Cord Seal Fitting around the pump cord into the end of the tee (figure 5).

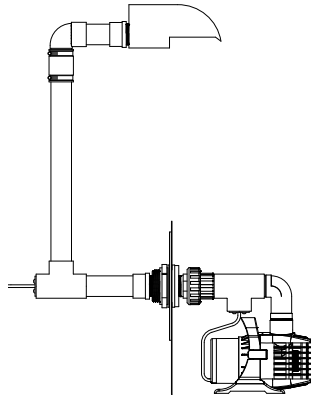
**Figure 5**



## ColorFalls and Spillways

Apply silicone to a male thread adapter and install it into the Spillway. Measure and cut a short section of pipe to extend out from the male thread adapter to the back of the wall. Glue the short section of pipe into the male thread adapter and then glue an elbow, pointing downwards, to the end of the short section of pipe. Cut a 4 inch long piece of pipe and glue it in to the bottom of the elbow. Place the rubber coupling over the short section of pipe and tighten to secure. Cut and attach the supply line between the tee and the rubber coupling to complete the plumbing (figure 6).

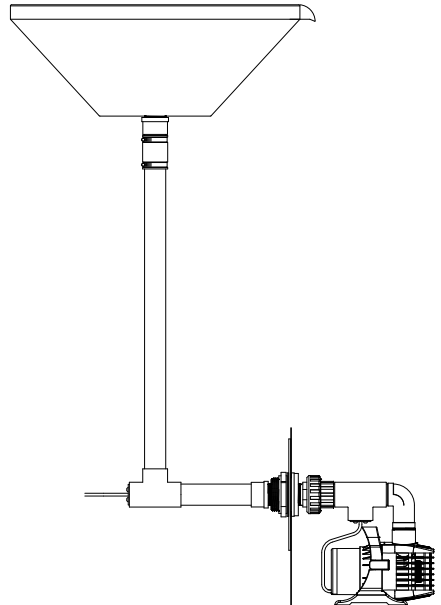
**Figure 6**



## Copper Bowls

Set the Copper Bowl upside down on a piece Styrofoam or cardboard packing to finish the plumbing. Apply silicone to the threads of the included plug and install the plug in the off-center inlet at the bottom of the bowl. Cut a 4 inch long piece of pipe and glue it in to a male thread adapter. Then, install the male thread adapter with silicone into the center inlet in the bottom of the Copper Bowl. Place the rubber coupling over the short section of pipe and tighten to secure. Cut and attach the supply line between the tee and the rubber coupling to complete the plumbing (figure 7).

**Figure 7**



## Warranty

This product carries a one-year warranty. This warranty is extended solely to the original purchaser commencing from the date of original purchase receipt. A misused or abused product voids this warranty.

## Warranty Claims

In case of warranty claim, the complete Kit should be returned to the place of purchase accompanied by original receipt.

