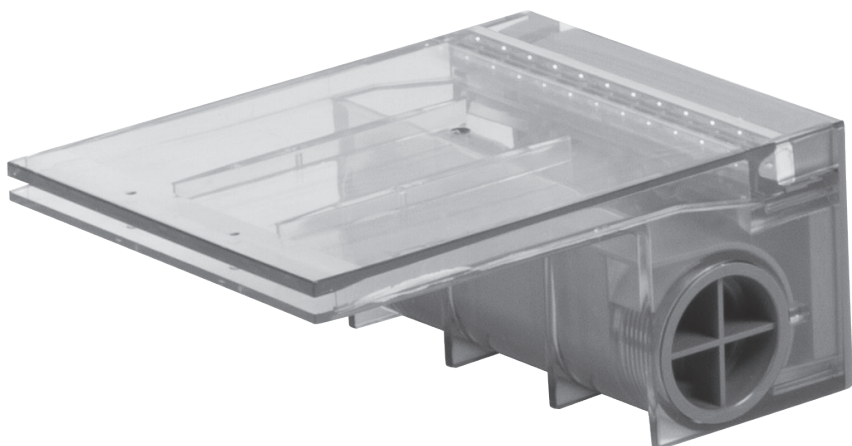




Atlantic[®]

Product Manual | Manuel du Produit | Manual del Producto



CC06 - 73878 | CC12 - 73879
CC24 - 73880 | CC36 - 73881

1.330.274.8317

www.ATLANTIC-OASE.com

Introduction

Thank you for choosing Atlantic's Color Changing Colorfalls. The Colorfalls are designed for use in Pond-free and fountain applications. The Color Changing Colorfalls feature a larger opening which produces a thicker water sheer and less clogging from debris in the water, an app controlled Color Changing LED light bar, and a removable back plate that provides access to the interior of the spillway for easy maintenance and winterizing.

Prior to Operation and Installation

Caution:

- Colorfalls are designed for use in Pond-free and fountain applications. Colorfalls are not intended for use in water gardens or any pond with plant or aquatic life.
- DO NOT operate this product under any conditions other than those for which it is specified. Failure to observe these precautions can lead to electrical shock, product failure, or other problems.
- Follow all aspects of electrical codes when installing Color Changing Colorfalls.
- To reduce the risk of electrical shock, connect transformer to a 120 volt receptacle protected by a ground fault circuit interrupter (GFCI).
- Quick-connect plugs are gasketed for outdoor use and must be fully tightened to prevent water infiltration. Quick-connect plugs are not waterproof and should not be submerged.
- Always use dielectric grease on all connections and verify that the lens ring is tightly secured before submersing the fixture.
- Never shorten or cut the cord on Atlantic Color Changing Lights. Removing the driver or cutting/shortening the cord will damage the LED and void the warranty.
- The InfiColor Smart Module is weatherproof, but must be mounted upright above the ground on a wall or post within reach of a properly grounded GFCI outlet. Do not submerge the Control Module or expose it to heavy rainfall. Failure to do so will void the warranty.
- The InfiColor Smart Module can be connected to an existing 12 volt AC lighting system by cutting and splicing the flat low voltage wire that supplies power to the Module.

The Colorfalls must be accessible for service and maintenance. Installing the Colorfalls so that the entire body is removable is highly recommended. Do not glue the cap stones above the Colorfalls or permanently mortar the Colorfalls in place.

The Colorfalls can support 40 lbs. per linear foot (e.g. a 24" Colorfalls can support 80 lbs.). If the weight on the weir exceeds that amount, you will need to provide a lintel support for the added weight. This support should still make contact with the weir to prevent it from shifting.

See the chart below for the recommended placement of the Colorfalls above the basin or pool. If the placement of the Colorfalls exceeds the recommended height, water loss will increase significantly due to splash and wind drift.

Colorfalls	Maximum Falls Height Above Basin	Flow Rate
CC06	20"	600 GPH
CC12	20"	1200 GPH
CC24	30"	2400 GPH
CC36	40"	3600 GPH

Installation of Color Changing Colorfalls

The opening in the wall where the Colorfalls will be placed is important to the function of the Colorfalls. If it is not level and free of debris the Colorfalls will not function properly. The base

of Colorfalls body as well as the bottom of the spillway lip must be supported by the opening in which it is placed. The Colorfalls Spillway must protrude from the wall a minimum of $\frac{1}{2}$ " and maximum of 1". The top side of the opening must also be in contact with the Colorfalls to prevent it from shifting. See Figure 1 for the proper sizing of the opening for the Colorfalls.

Plumbing A Single Colorfalls

Each Colorfalls spillway is equipped with three convenient $\frac{1}{2}$ " threaded inlets to accommodate $\frac{1}{2}$ " Sch 40 MPT fittings. Choose one or more of the three inlets for plumbing: you can either plumb directly into the back center of the unit, or into both sides. (Plumbing the Colorfalls from one side only will produce an uneven water sheer. Feed lines must be connected to both sides to ensure an even water flow.) Close off the unused inlet(s) with the provided plugs. The plugs have O-ring seals and can be installed without thread sealant.

Installing a ball valve (not included) on the feed line between the pump and the Colorfalls is recommended for added control of water flow.

Plumbing Modular Colorfalls

Connect the Colorfalls together using the $\frac{1}{2}$ " threaded connector (included). Begin by installing one end of the connector into the side inlet of one Colorfalls. Align the second Colorfalls and spin it onto the threaded fitting (screwing the two units together). Before they are completely tightened, install the double sided gasket (included) at the end of the spillway between the units. This will create a watertight seal where the spillways meet. Pull the spillways of the Colorfalls apart while completing the final turn of the Colorfalls body. Once you have ensured proper alignment, press the spillways of the two units together (sandwiching the gasket) to ensure it is in contact with both units.

When plumbing multiple Color Changing Colorfalls together, use the back center inlet on each individual Colorfalls, plugging the side inlets, regardless if you are using one pump or multiple pumps. This will balance the flow of water going to the falls.

Figure 1

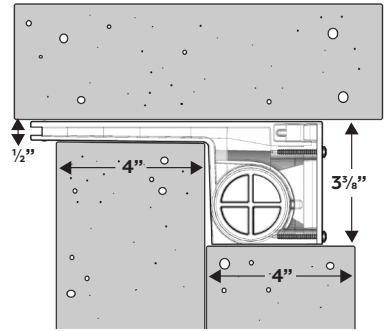
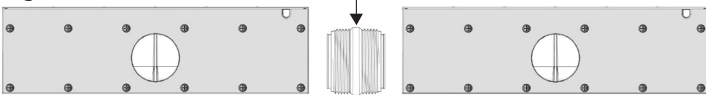


Figure 2

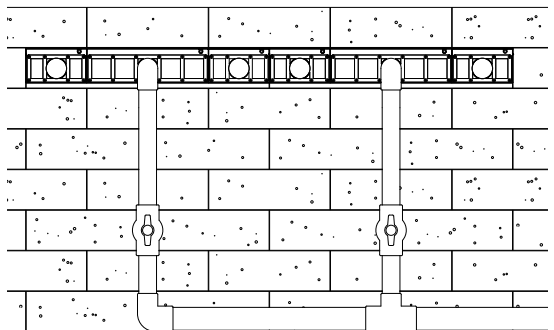
$\frac{1}{2}$ " connector fitting



Note: If plumbing two different sized Colorfalls together, a ball valve must be added on each vertical feed line to balance the water flow into each unit.

The individual feed lines to each Colorfalls should be $\frac{1}{2}$ " PVC. If using one pump to feed multiple Colorfalls, the main feed line should be 2" or larger. The main feed line should be run horizontally along the back of the wall with vertical $\frac{1}{2}$ " feed lines branching off to each Colorfalls (Figure 3).

Figure 3

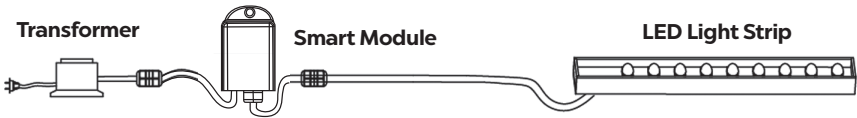


Connecting the Light Bar

All Color Changing Colorfalls and wiring components are connected via quick-connect plug. Color Changing Colorfalls will not operate if plugs are aligned incorrectly. The connectors are keyed to ensure the connections line up properly. Color Changing quick-connect plugs carry both AC and DC current to the in-line driver. Moisture entering the connections will allow the AC and DC current to cross which can damage the lighting system.

Quick-connect plugs are gasketed for outdoor use and must be fully tightened to prevent water infiltration. Quick-connect plugs are not waterproof and should not be submersed. Dielectric grease is included and should be used in all connections to eliminate water infiltration.

The transformer must be plugged into a properly grounded GFCI outlet. Please follow the connection diagram below for proper installation.



Multiple Colorfalls can be connected by using Atlantic Color Changing Lighting components. For installations up to 30 watts, purchase additional Splitters (CCBSX4) and a larger Transformer (TRANS60).

To connect multiple Colorfalls over 30 watts, purchase an InfiColor 3 Light Wiring Kit (CCSM30X3), Splitters (CCBSX4) and 150 Watt Transformer (TRANS150).

INFICOLOR SMART MODULE

Installation

The InfiColor Smart Module is weatherproof, but must be mounted above the ground on a wall or post within reach of a properly grounded GFCI outlet. Do not submerge the Control Module or expose it to heavy rainfall.

- Install the Module in a well-ventilated area to ensure that the module operates within its specified working temperature.
- Verify that the Smart Module input voltage is 12 volt AC, class 2 circuit. We recommend that you use the transformer provided with this unit.
- Use dielectric grease on all connections and ensure that all cable connections are secure.
- Do not connect the power before the cord connections are finished.
- Do not cut or alter any round cords. Cutting or damaging any round cord will void the warranty.

CONNECTING LIGHTING TO MODULES

For all connections, apply included dielectric grease to the pins of the plugs. Line up the keys of the plugs using the arrows as a guide. Tighten the threaded ring, then wiggle the connection and retighten the threaded ring 2-3 times until firmly seated.

NOTE: Failure to properly align plugs will result in damage to components.

INFICOLOR MOBILE APP

To connect your mobile device to the Smart Module, be sure the Module is plugged in and open the InfiColor App. The app should populate your Smart Module on the opening screen. Simply select the Module name. Please note the Module can be connected to one mobile device at a time. The Single Zone Module will only modify the settings of Zone 1 on the app.

To Configure Zone Name and Timer

The Smart Module that is supplied with the Colorfalls has a single zone with a timer function to turn the zone on and off at set times. Click dropdown menu. Edit the name of “Zone 1” on the “Zone Settings” page. This zone name will be visible throughout the app. Click the “Save” button to save changes. A box will come up confirming the settings have been saved. Click the “Back” button once configuration is complete.

Color Tab

Use the Color tab to choose colors using either the color picker or the red, green and blue sliders at the bottom. Choose the brightness of the color by adjusting the slider.

Favorites Tab

The Favorites tab stores preset color changing sequences. Select the zone, choose a sequence of colors, then choose the transition between them, the speed of the sequence and the brightness. The Edit button deletes stored Favorites you have created.

Custom tab

The Custom tab creates and stores custom color changing sequences. Move the red, green and blue sliders to choose a color, or select it from the color picker. Once you have decided on the color, click the “Plus” button to add it to the sequence. Repeat as desired. Add up to 10 colors to a sequence. Once the sequence has been created it can be named and saved. The saved sequence will be available on the Favorites page.

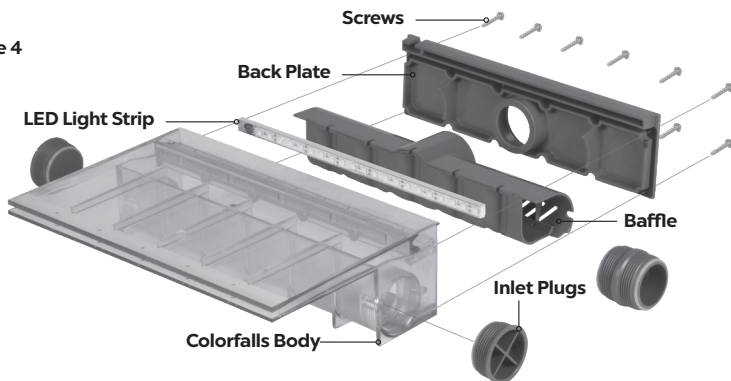
Maintenance

Atlantic’s Color Changing Colorfalls has a removable back plate for easy cleaning of the interior of the spillway. To clean the interior of the spillway, simply remove the screws on the back plate and remove the baffle (Figure 4). Remove any large obstructions that may be present and wipe down the interior with a non-abrasive cloth. Once finished, install the baffle and re-attach the back plate, making sure that the gasket is in place to ensure a water-tight seal.

Caution: Be extremely cautious when tightening the screws. It is strongly recommended that you tighten the screws with a hand held screwdriver. Overtightening the screws could crack the back plate or strip the screw holes. The screws need only be snug for the gasket to make a seal.

Atlantic Color Changing Colorfalls are self-draining for easy winterization. When the pump is turned off the water inside the Colorfalls will drain back through the supply line. Ensure that the supply line is fully drained. Remove the pump and store it indoors for the winter. If the Colorfalls is installed with an Atlantic Formal Spillway Basin, please refer to the Basin instructions for proper basin winterization.

Figure 4



Warranty

Colorfalls and all its components carry a one-year limited warranty. This limited warranty is extended solely to the original purchaser commencing from the date of the original purchase receipt and is void if any of the following apply:

- Any round cord has been cut or altered.
- The Colorfalls has been misused or abused.
- The Colorfalls has been disassembled or modified other than as described in this manual.
- The Smart Module and quick-connect plugs have not been adequately protected from moisture with dielectric grease.
- Misalignment of plugs resulting in damage to components

This warranty excludes labor/costs of labor for removal or installation of any product.

Troubleshooting Guide

Always turn off power before inspecting the Colorfalls. Failure to observe this precaution can result in a serious accident.

Before ordering repairs, carefully read through this instruction booklet. If the problem persists, contact your dealer.

Problem	Possible Cause	Possible Solution
Light bar will not turn on	No input power to the transformer	Verify power to the outlet is on / Check GFCI reset
	No outlet power from the transformer	Use a volt meter to verify transformer is producing 12 volt AC
Light bar color differs from app	Improper connection between LED light bar and Smart Module	Inspect connections / realign plugs
	Smart Module failure	Contact Dealer for repair / replacement

Problem	Possible Cause	Possible Solution
Individual Colorfalls within a larger system not working / displaying different colors	Improper connection to Splitter / Smart Module	Verify connections are aligned
	Defective 4-outlet Splitter	Switch positions with a working light on the same Splitter to identify if the splitter is causing the issue.
	Loose connection. Moisture or corrosion in connections	Inspect quick-connected plugs for moisture, corrosion or missing gasket. Clean/dry/apply dielectric grease and reassemble.
	Failed LED light bar	If possible, switch out the light bar with one from a working light of the same model to determine if the driver has failed. If driver has failed, replace light light bar. If test diode works, replacement light bar are available.
	Failed Light Bar	If possible, switch out the Light Bar with one from a working Colorfalls of the same model to determine if the driver has failed. Replacement Light Bars are available.
Smart Module is not responding to app	App is not synced with Smart Module	Reconnect Smart Module through Bluetooth
Lights intermittently responding to app	Loose connection. Moisture or corrosion in connections	Inspect quick-connected plugs for moisture or corrosion. Clean/dry/apply dielectric grease and reassemble.
Water Leaking from Colorfalls body	Bad plumbing connection	Inspect all plumbing & plugs
	Gasket out of place	Ensure gasket in back plate is in proper position
	Screws in back plate are too loose	Ensure screws are fully tightened
Diminished water flow	Blocked pump intake	Clear debris from pump intake.
	Obstruction in plumbing line	Inspect plumbing line and clear any debris
	Debris in Colorfalls spillway	Refer to Maintenance section on page 5
Waterfall sheer is splitting	Debris in Colorfalls spillway	Refer to Maintenance section on page 5

Introduction

Merci d'avoir choisi les murs d'eau à couleurs changeantes modèles Colorfalls d'Atlantic. Les Colorfalls sont conçus pour s'utiliser dans des applications de Pond-free et fontaines. Les murs d'eau à couleurs changeantes modèles Colorfalls comportent une plus large ouverture qui produit une chute d'eau plus épaisse et moins de bourrage par des débris dans l'eau. Une barre lumineuse à DEL à couleur changeante commande à distance pour application. Une plaque arrière amovible donne accès à l'intérieur du déversoir afin de faciliter l'entretien et la préparation pour l'hiver.

Avant l'installation ou l'utilisation

Attention:

- Les Colorfalls sont conçus pour s'utiliser dans des applications de Pond-free et fontaines. Les Colorfalls ne sont pas prévus pour une utilisation dans des jardins d'eau ou toute mare comportant de la flore ou de la faune aquatique.
- N'utilisez PAS ce produit sous aucune autre condition que celles précisées. Ne pas respecter ces précautions peut entraîner des chocs électriques, la défaillance du produit ou d'autres problèmes.
- Suivez toutes les directives des codes de l'électricité au moment d'installer l'éclairage.
- Pour réduire le risque de choc électrique, branchez le transformateur à une prise de 120 volts protégée par un disjoncteur de fuite de terre.
- Les Colorfalls se connectent via une fiche à connexion rapide, scellée pour une utilisation en extérieur. Les fiches à connexion rapide ne sont pas étanches et ne doivent pas être submergées.
- Toujours utiliser de la graisse diélectrique sur toutes les connexions.
- Ne jamais raccourcir ou couper le cordon des Colorfalls à Changement de Couleur Atlantic. Le fait de retirer le driver ou de couper / raccourcir le cordon endommagerait la LED et d'annuler la garantie.
- L'InfiColor Smart Module est résistant aux intempéries, mais doit être monté vertical au-dessus du sol sur un mur ou un poteau à la portée d'une prise GFCI correctement mise à la terre. N'immergez pas le module et ne l'exposez pas à de fortes précipitations. Dans le cas contraire, la garantie sera annulée.
- L'InfiColor Smart Module peut être connecté à un système d'éclairage alternatif 12 volts existant en coupant et épissant le fil plat basse tension alimentant le module.

Le Colorfalls doit être accessible pour les activités d'entretien et de maintenance. Installer le Colorfalls de façon à ce que le corps soit amovible en entier est vivement recommandé. Ne pas coller les pierres de couronnement au-dessus du Colorfalls ni cimenter le Colorfalls de façon permanente.

Le Colorfalls peut supporter 18kg par 30cm (c'est-à-dire qu'un Colorfalls de 24"/60cm pourra supporter 36kg). Si le poids du déversoir dépassait ce niveau, il vous faudrait fournir un support par linteau pour le poids excédentaire. Ce support doit toujours rester en contact avec le déversoir pour éviter qu'il ne ripe.

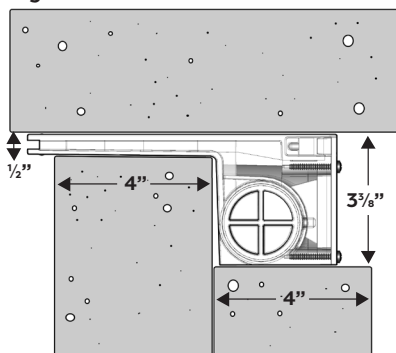
Consultez le tableau qui suit pour le positionnement du Colorfalls au-dessus du bassin ou de la mare. Si le positionnement du Colorfalls dépasse la hauteur recommandée, la perte d'eau augmentera sensiblement du fait des éclaboussures et de l'eau emportée par le vent.

Colorfalls	Hauteur max. de chute au-dessus du bassin	Débit
CC06	20" / 51cm	600 GPH / 2270 LPH
CC12	20" / 51cm	1200 GPH / 4540 LPH
CC24	30" / 76cm	2400 GPH / 9080 LPH
CC36	40" / 102cm	3600 GPH / 13,600 LPH

Installation de chutes d'eau aux couleurs changeantes

L'ouverture dans le mur où la chute aux couleurs changeantes sera placée est importante pour son bon fonctionnement. Si elle n'est pas d'aplomb et exempte de débris la chute ne fonctionnera pas correctement. La base du corps de chute colorée ainsi que le bas de la lèvre de déversoir doivent être supportés par l'ouverture dans laquelle ils sont placés. Le déversoir de la chute colorée doit dépasser du mur entre $\frac{1}{2}$ " et 1" (12,7-25,4 mm). La partie du haut de l'ouverture doit aussi être en contact avec la chute colorée pour éviter qu'elle se décale. Voyez la Figure 1 pour la bonne taille de l'ouverture accueillant la chute colorée.

Figure 1



Plomberie pour un seul Colorfalls

Chaque déversoir de Colorfalls est équipé de trois ports d'admission filetés pratiques de $\frac{1}{2}$ " qui sont compatibles avec les raccords MPT Sch 40 de $\frac{1}{2}$ ". Choisir une ou plusieurs des trois admissions pour la plomberie : vous pouvez la raccorder directement soit au milieu à l'arrière de l'appareil, soit sur les deux côtés.

(Raccorder le Colorfalls d'un côté seulement provoque une chute d'eau inégale. Les conduites d'alimentation doivent être connectées des deux côtés afin d'assurer un écoulement d'eau uniforme.) Obtenir les admissions non utilisées à l'aide des bouchons qui sont fournis. Les bouchons, qui sont munis de joints toriques, peuvent être installés sans pâte d'étanchéité sur les filets.

L'installation d'un robinet à tournant sphérique (non inclus) dans la conduite d'alimentation entre la pompe et le Colorfalls est recommandée pour plus de contrôle sur l'écoulement de l'eau.

Plomberie pour un ensemble de Colorfalls Connecter les Colorfalls à l'aide du raccord fileté (inclus) de $1\frac{1}{2}$ ".

Commencez par installer une extrémité du raccord dans l'admission latérale de l'un des Colorfalls. Aligner le deuxième Colorfalls et le faire tourner sur le raccord fileté (visser ensemble les deux unités). Avant de les serrer complètement, installer le joint à double face (inclus) à l'extrémité du déversoir entre les unités. Ceci permet de créer un joint étanche au point de rencontre des déversoirs. Écartez les déversoirs des Colorfalls tout en effectuant le dernier tour du corps du Colorfalls. Après avoir assuré un alignement correct, presser ensemble les déversoirs des deux unités (intercaler le joint) afin d'assurer qu'il est en contact avec les deux unités.

Figure 2

Raccord de $1\frac{1}{2}$ "

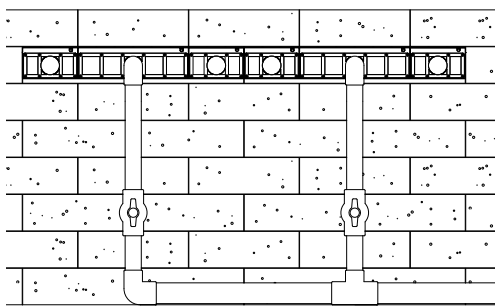


Quand vous reliez ensemble par la plomberie plusieurs Colorfalls à couleurs changeantes, utilisez l'entrée arrière centrale sur chaque Colorfalls individuel, en obturant les entrées de côté, que vous utilisiez une ou plusieurs pompes. Cela va équilibrer le débit de l'eau allant aux chutes.

Remarque: Si vous raccordez deux cascades Colorfalls de tailles différentes, des robinets à bille doivent être ajoutés sur chaque conduite d'alimentation verticale pour équilibrer l'écoulement de l'eau dans chaque unité.

Les conduites individuelles d'alimentation de chaque Colorfalls doivent être en PVC de 1/2". Si vous utilisez une seule pompe pour plusieurs Colorfalls, la conduite d'arrivée principale doit faire 2" ou plus. La conduite d'arrivée principale doit courir horizontalement le long de l'arrière du mur, avec des conduites d'alimentation verticales en 1/2" vers chacun des Colorfalls (Figure 3).

Figure 3

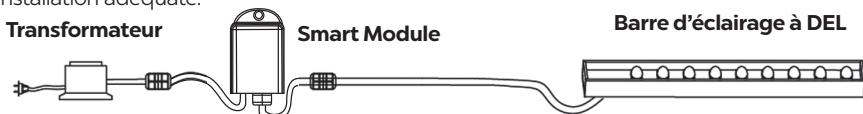


Raccordement de la barre lumineuse

Toutes les Colorfalls à couleur changeante les composants de câblage sont branchées grâce à une fiche à branchement rapide. Les Colorfalls à couleur changeante ne fonctionnent pas si les fiches ne sont pas correctement alignées. Les connecteurs sont dotés d'une clé pour assurer l'alignement des connexions. Les connexions rapides à Changement de Couleur acheminent une alimentation de courant CA et DC continue au driver en ligne. L'humidité qui pénètre dans les connexions permettra au courant CA et DC à traverser qui peut endommager le système d'éclairage.

Les branchements rapides sont munis d'un joint pour une utilisation en extérieur et doivent être serrés à fond pour empêcher l'infiltration d'eau. Les connecteurs rapides ne sont pas étanches et ne doivent pas être immergés. La graisse diélectrique est incluse et doit être utilisée dans toutes les connexions pour éliminer les infiltrations d'eau.

Le transformateur doit être branché dans une prise à disjoncteur de fuite correctement mise à la terre. Veuillez suivre le schéma de connexion ci-dessous pour réaliser une installation adéquate.



Vous pouvez connecter plusieurs Colorfalls à l'aide des composants Atlantic Color Changing Lighting. Pour les installations jusqu'à 30 watts, achetez des répartiteurs supplémentaires (CCBSX4) et un transformateur plus grand (TRANS60).

Pour connecter plusieurs Colorfalls totalisant plus de 40 watts, utilisez un kit de câblage InfiColor 3 Light (CCSM30X3), des répartiteurs (CCBSX4) et un transformateur de 150 Watt (TRANS150).

INFICOLOR SMART MODULE

Installation

L'InfiColor Smart Module est résistant aux intempéries, mais doit être monté au-dessus du sol sur un mur ou un poteau à la portée d'une prise GFCI correctement mise à la terre. N'immergez pas le module et ne l'exposez pas à de fortes précipitations. Dans le cas contraire, la garantie sera annulée.

- Installez le module dans un endroit bien ventilé pour vous assurer qu'il fonctionne à la température de fonctionnement spécifiée.
- Vérifiez que la tension d'entrée du InfiColor Smart Module est de 12V CA, circuits de classe 2. Nous vous recommandons d'utiliser le transformateur fourni avec cet appareil.
- Utilisez de la graisse diélectrique sur toutes les connexions et assurez-vous que toutes les connexions des câbles sont sécurisées.
- Ne branchez pas l'alimentation avant la fin des connexions du cordon.

- Ne coupez ni ne modifiez les cordons ronds. Couper ou endommager un cordon rond annulera la garantie.

Connexion de l'Éclairage au InfiColor Module

Pour toutes les connexions, appliquez la graisse diélectrique incluse sur les broches des fiches. Alignez les touches des fiches en utilisant les flèches comme guide. Serrez la bague filetée, puis agitez la connexion et resserrez la bague filetée 2 à 3 fois jusqu'à ce qu'elle soit fermement en place.

REMARQUE: le fait de ne pas aligner correctement les fiches entraînera des dommages aux composants.

APPLICATION MOBILE INFICOLOR

Pour connecter votre appareil mobile au Smart Module, assurez-vous qu'il est branché et ouvrez l'application InfiColor. L'application devrait remplir votre module intelligent dans l'écran d'accueil. Sélectionnez simplement le nom du module. Veuillez noter que le module peut être connecté à un appareil mobile à la fois. Le InfiColor Smart Module à Zone Unique modifiera uniquement les paramètres de la zone 1 sur l'application.

Pour configurer les noms de zone et les minuteries

Le Smart Module fourni avec les Colorfalls possède une zone unique avec une fonction de minuterie pour activer et désactiver la zone à des heures définies. Cliquez sur le menu déroulant. Modifiez le nom de zone du Smart Module sur la page "ZONE SETTINGS" (Paramètres de zone). Ce nom de zone serait visible dans toute l'application. Cliquez sur le bouton "SAVE" (Enregistrer) pour enregistrer les modifications. Une boîte apparaîtra pour informer l'utilisateur que les paramètres ont été enregistrés. Cliquez sur le bouton "BACK" (Retour) une fois la configuration terminée.

Onglet "COLOR" (Couleur)

Utilisez l'onglet "COLOR" (Couleur) pour choisir les couleurs de la zone à l'aide du sélecteur de couleur ou des curseurs rouge, vert et bleu en bas. Choisissez la luminosité de la couleur en réglant le curseur.

Onglet "FAVORITES" (Favoris)

L'onglet "FAVORITES" (Favoris) stocke les séquences de changement de couleur prédéfinies. Sélectionnez la zone, choisissez une séquence de couleurs, puis choisissez la transition entre elles, la vitesse de la séquence et la luminosité. Le bouton "EDIT" (Modifier) supprime les favoris que vous avez créés.

Onglet "CUSTOM" (Personnalisé)

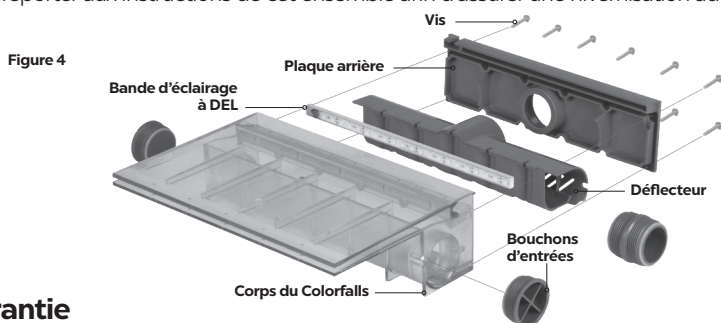
L'onglet "CUSTOM" (Personnalisé) permet de créer et de stocker une séquence de changement de couleur personnalisée. Déplacez les curseurs rouge, vert et bleu pour choisir une couleur ou sélectionnez-la dans le sélecteur de couleur. Une fois que vous avez choisi la couleur, cliquez sur le bouton "+" (Plus) pour l'ajouter à la séquence. Répétez comme vous le souhaitez. Ajoutez jusqu'à 10 couleurs à une séquence. Une fois que la séquence a été créée, elle peut être nommée et sauvegardée. La séquence sauvegardée sera disponible sur la page "Favorites" (Favoris).

Entretien

Le Colorfalls à couleurs changeantes d'Atlantic comporte une plaque arrière amovible pour faciliter le nettoyage à l'intérieur du déversoir. Pour nettoyer l'intérieur du déversoir, enlevez simplement les vis de la plaque arrière et enlevez le déflecteur. Dégagez toutes les grosses obstructions qui peuvent être présentes et essuyez l'intérieur avec un chiffon non-abrasif. Une fois que c'est fait, remettez le déflecteur en place et refermez la plaque arrière, en vous assurant que le joint est en place afin d'assurer une bonne étanchéité.

Attention: Faites très attention en serrant les vis. Il est fortement recommandé de le faire en utilisant un tournevis à main. Un excès de serrage peut fissurer la plaque arrière ou endommager le filetage des trous pour vis. Les vis n'ont besoin que de comprimer suffisamment le joint pour assurer l'étanchéité.

Les cascades Colorfalls à changement de couleur d'Atlantic se purgent automatiquement, permettant une hivernisation facile. Lorsque la pompe est mise à l'arrêt, l'eau à l'intérieur de la cascade Colorfalls retourne vers la conduite d'alimentation. Assurez-vous que la conduite d'alimentation est complètement drainée. Retirez la pompe et rangez-la à l'intérieur durant l'hiver. Si la cascade Colorfalls est installée avec un bassin de cascade Colorfalls d'Atlantic, veuillez vous reporter aux instructions de cet ensemble afin d'assurer une hivernisation adéquate.



Garantie

Le Colorfalls et tous ses composants portent une garantie limitée d'un an. Cette garantie limitée est accordée seulement à l'acheteur d'origine, et commence à la date de la facture de l'achat d'origine, elle est caduque si un de ces points s'applique :

- Le cordon a été coupé ou modifié entre le pilote et le corps de la lumière.
- Il y a eu mésusage ou abus avec le Colorfalls.
- Le Colorfalls a été démonté ou modifié d'une façon autre que celle décrite dans ce manuel.
- Le InfiColor Smart Module et les branchements rapides n'ont pas été suffisamment protégés de l'humidité par de la graisse diélectrique.
- Mauvais alignement des bouchons entraînant des dommages aux composants

Cette garantie exclut la main-d'œuvre et les coûts de la main-d'œuvre pour l'enlèvement ou l'installation d'un produit.

Guide de dépannage

Coupez toujours l'alimentation électrique avant d'inspecter le Colorfalls. Ne pas observer cette précaution peut entraîner un accident grave. Avant de demander des réparations, lisez attentivement ce tableau d'aide. Si le problème persiste, contactez votre revendeur.

Problème	Cause possible	Solution possible
Las barre d'éclairage ne s'allument pas	Aucune alimentation d'entrée vers le transformateur	Vérifier si l'alimentation à la prise est sous tension/ vérifier le bouton de réinitialisation du disjoncteur de fuite de terre
	Pas de puissance de sortie du transformateur	Utiliser un voltmètre pour vérifier si le transformateur produit du courant alternatif 12 volts

Problème	Cause possible	Solution possible
La couleur de la barre est différente de celle de la application	Connexion inadéquat entre Barre d'éclairage et le Smart Module	Inspecter le connexion/aligner la clés
	Défaillance du Smart Module	Communiquer avec le vendeur afin d'obtenir une réparation ou un remplacement
Les Colorfalls à l'intérieur d'un système plus grand ne fonctionnent pas	Connexion inadéquat au répartiteur à 3 sorties/ Smart Module	Inspecter le connexion/aligner les clés
	Répartiteur 3 sorties défectueux	Changer la lampe de place avec une lampe fonctionnelle, sur le même répartiteur, pour déterminer si le répartiteur cause le problème.
	Connexion lâche. Humidité ou corrosion dans les raccords	Inspecter les fiches à branchement rapide à la recherche d'humidité, de corrosion ou d'un joint d'étanchéité manquant. Nettoyer/assécher /appliquer de la graisse diélectrique et réassembler.
	Barre d'éclairage défectueuse	Utiliser si possible une barre d'éclairage LED couplée à une luminaire fonctionnelle du même modèle afin de déterminer si le driver est défectueux. Si le driver est défectueux, recharge la luminaire. Si la luminaire fonctionne, des barres d'éclairages de recharge sont disponibles.
Le Smart Module ne communique pas avec l'application	L'application n'est pas synchronisée avec le Smart Module	Reconnecter le Smart Module via Bluetooth
Les luminaires répondent à l'application de façon intermittente	Connexion lâche Humidité ou corrosion dans les raccords	Inspecter les fiches à branchement rapide à la recherche d'humidité, de corrosion ou d'un joint d'étanchéité manquant. Nettoyer/assécher /appliquer de la graisse diélectrique et réassembler.
De l'eau fuit du corps de Colorfalls	Mauvais raccordement de plomberie	Inspectez toute la plomberie et les bouchons
	Joint pas en place	Vérifiez que le joint de la plaque arrière est bien placé
	Vis de plaque arrière pas assez serrées	Vérifiez le bon serrage des vis
Écoulement d'eau diminué	Admission de pompe obstruée	Éliminez les débris de l'admission de pompe
	Obstruction dans la conduite de plomberie	Inspectez la conduite et dégagez-la si nécessaire
	Débris dans le déversoir de Colorfalls	Référez-vous à la page 11 du manuel.
Le déversoir du Colorfalls se fend	Débris dans le déversoir de Colorfalls	Référez-vous à la page 11 du manuel.

Introducción

Gracias por elegir las cascadas Colorfalls que cambian de colores (Color Changing) de Atlantic. Las cascadas Colorfalls están diseñadas para utilizarse en aplicaciones sin estanque y como fuentes. Las cascadas Colorfalls que cambian de colores tienen una abertura más grande que produce una lámina de agua más gruesa y que se obstruye menos por suciedad en el agua. Una barra de luz LED cambia los colores por medio de un aplicación. Una placa trasera removible proporciona acceso al interior del vertedero para fácil mantenimiento y preparación para el invierno.

Antes de la instalación y puesta en funcionamiento

Precaución:

- Las cascadas Colorfalls están diseñadas para utilizarse en aplicaciones sin estanque y como fuentes. Las cascadas Colorfalls no están diseñadas para uso en jardines acuáticos o estanques con plantas o vida acuática.
- NO haga funcionar este producto en condiciones distintas de aquellas para las que está especificado. El incumplimiento de estas precauciones puede derivar en choque eléctrico, falla del producto u otros problemas.
- Siga todos los aspectos de los códigos eléctricos cuando instale las cascadas Colorfalls que cambian de colores.
- Para reducir el riesgo de choque eléctrico, conecte el transformador a un tomacorriente de 120 voltios protegido con interruptor de circuito por falla de conexión a tierra (ground fault circuit interrupter, GFCI).
- Colorfalls se conectan a través de un enchufe de conexión rápida, sellado para uso en exteriores. Los enchufes de conexión rápida no son impermeables y no deben sumergirse.
- Utilice siempre grasa dieléctrica en todas las conexiones.
- Nunca acorte o corte el cable de Colorfalls de Cambio de Color Atlantic. Quitar el controlador o cortar / acortar el cable dañará el LED y anulará la garantía.
- El InfiColor Smart Module es resistente a la intemperie, pero debe montarse verticalmente por encima del suelo en una pared o un poste al alcance de un interruptor de circuito por falla a tierra (GFCI) correctamente conectado a tierra. No sumerja el módulo ni lo exponga a fuertes lluvias. De lo contrario, se anulará la garantía.
- El InfiColor Smart Module se puede conectar a un sistema de iluminación de 12 voltios CA existente cortando y empalmando el cable plano de baja tensión de que suministra energía al módulo.

Las Colorfalls deben estar accesibles para darles servicio y mantenimiento. Se recomienda instalar las Colorfalls de modo que el cuerpo entero se pueda extraer. No pegue con adhesivo las piedras superiores sobre las Colorfalls ni fije permanentemente con cemento las Colorfalls en su sitio.

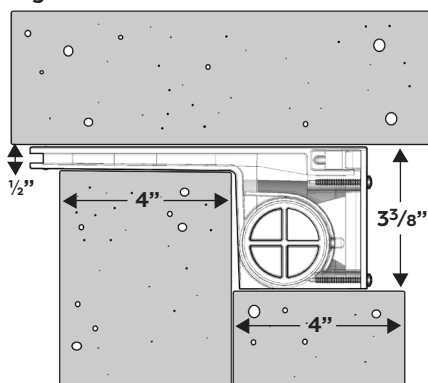
La cascada Colorfalls puede soportar 40 lbs. por pie lineal (ejemplo, una cascada Colorfalls de 24" puede soportar 80 lbs.). Si el peso sobre el vertedero excede esa cantidad, usted necesitará suministrar un soporte horizontal a lo largo del borde para el peso adicional. Este soporte deberá hacer contacto con el vertedero para evitar su desplazamiento. Vea la siguiente tabla para la ubicación recomendada de la cascada Colorfalls sobre el estanque o pileta. Si la ubicación de la cascada Colorfalls excede la altura recomendada, la pérdida de agua aumentará significativamente debido al salpicado y arrastre por el viento.

Colorfalls	Altura máxima de la cascada sobre el estanque	Velocidad de flujo
CC06	20" / 51cm	600 GPH / 2270 LPH
CC12	20" / 51cm	1200 GPH / 4540 LPH
CC24	30" / 76cm	2400 GPH / 9080 LPH
CC36	40" / 102cm	3600 GPH / 13,600 LPH

Instalación de la cascada Colorfalls de colores cambiantes

La abertura de la pared en la que se coloca la Colorfalls es importante para su funcionamiento. Si no está nivelada y libre de desperdicios, la Colorfalls no funcionará correctamente. La base del cuerpo de la Colorfalls, así como el fondo del reborde del desagüe, deben estar sostenidos por la abertura en la que se la coloca. El desagüe de la Colorfalls debe sobresalir de la pared $\frac{1}{2}$ " como mínimo y 1" como máximo. El lado superior de la abertura debe estar también en contacto con la Colorfalls, para evitar que se desplace. Vea el tamaño adecuado de la abertura para la Colorfalls en la Figura 1.

Figura 1



Instalación de tubería para una (1) cascada Colorfalls

Cada aliviadero de ColorFalls está equipado con tres convenientes entradas roscadas de $1\frac{1}{2}$ " para aceptar conectores Sch 40 MPT de $1\frac{1}{2}$ ". Escoja una o más de las tres entradas para la tubería: puede conectar tubería directamente en el centro de la parte trasera de la unidad, o en ambos lados. (Conectar ColorFalls a la tubería sólo de un lado producirá una cortina de agua desigual. Las líneas de alimentación deben conectarse a ambos lados para asegurar un flujo de agua uniforme). Cerrar las entradas no utilizadas con los tapones suministrados. Los tapones tienen juntas tóricas y pueden instalarse sin sellador de roscas.

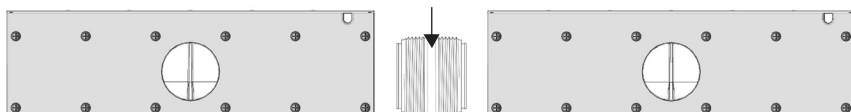
Se recomienda instalar una válvula de bola (no incluida) en el tubo de alimentación entre la bomba y la cascada Colorfalls para mayor control del flujo de agua.

Instalación de tubería para cascadas Colorfalls modulares

Conecte las Colorfalls entre sí con el conector roscado de $1\frac{1}{2}$ " (incluido). Comience instalando un extremo del conector en la entrada lateral de una Colorfalls. Alinee la segunda Colorfalls y gírela para que entre en el conector roscado (atornillar las dos unidades juntas). Antes de que estén completamente apretadas, instale el empaque de cara doble (incluido) en el extremo del aliviadero entre las unidades. Esto creará un sello hermético donde se unen los aliviaderos. Separe los aliviaderos de las Colorfalls mientras lleva a cabo la última vuelta del cuerpo de las Colorfalls. Una vez que haya garantizado una alineación correcta, una presionando los aliviaderos de dos unidades (intercalando el empaque) para asegurarse de que esté en contacto con ambas unidades.

Figura 2

Accesorio conector de $1\frac{1}{2}$ "



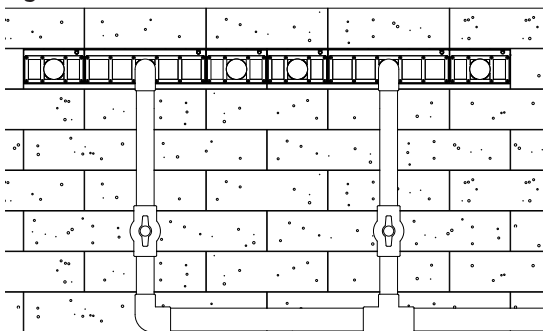
Al instalar la tubería de múltiples cascadas Colorfalls que cambian de colores, utilice la boca de entrada central trasera de cada cascada Colorfalls individual, tapando las entradas laterales, sin importar si usted está utilizando una (1) bomba o múltiples bombas. Esto equilibrará el flujo de agua que fluye hacia las cascadas.

Nota: Si conecta Colorfalls de dos tamaños diferentes, se debe agregar una válvula de bola en cada línea de alimentación vertical para equilibrar el flujo de agua en cada unidad.

Los tubos de alimentación individuales hacia cada cascada Colorfalls deben ser de 1½" de PVC. Si se utiliza una (1) bomba para alimentar múltiples cascadas Colorfalls, el tubo de alimentación principal debe ser de 2" o superior.

El tubo de alimentación principal debe instalarse horizontalmente a lo largo de la parte trasera de la pared con tubos de alimentación verticales de 1½" que se ramifican hacia cada cascada Colorfalls (Figura 3).

Figura 3



Conexión de la barra de luz

Todas las cascada Colorfalls que cambian de color los componentes de cableado se conectan con un enchufe de conexión rápida de seis cables. Las luces LED que cambian de color de la línea SOL no funcionan si los enchufes no están bien alineados. Los conectores de seis clavijas tienen flechas en relieve que indican la alineación correcta.

Los enchufes de conexión rápida de seis cables con cambio de color llevan AC y DC al conductor en la línea. La entrada de humedad en las conexiones permitirá que la corriente AC y DC se crucen, lo cual puede dañar el barra de luces.

Los tapones de conexión rápida de seis cables están sellados herméticamente para su uso en exteriores y deben ajustarse a tope para evitar la infiltración de agua. Los enchufes de conexión rápida no son a prueba de agua y no deben sumergirse. Se debe usar grasa dieléctrica (se consigue en el departamento de electricidad de la mayoría de las tiendas de mejoras para el hogar) en todas las conexiones para eliminar la infiltración de agua.

El transformador debe estar conectado a una toma interruptor de circuito de falla conectado a tierra (Ground Fault Circuit Interrupter, GFCI) correctamente conectada a tierra. Siga el diagrama de conexión que aparece a continuación para realizar la instalación adecuadamente.



Se pueden conectar múltiples Colorfalls utilizando los componentes Atlantic Color Changing Lighting. Para instalaciones de hasta 30 vatios, compre divisores adicionales (CCBSX4) y un transformador más grande (TRANS60).

Para conectar múltiples Colorfalls que suman más de 30 vatios, use un kit de cableado de luz InfiColor 3 (CCSM30X3), divisores (CCBSX4) y transformador de 150 vatios (TRANS150).

INFICOLOR SMART MODULE

Instalación

El InfiColor Smart Module es resistente a la intemperie, pero debe montarse por encima del suelo en una pared o poste al alcance de un interruptor de circuito por falla a tierra (GFCI) correctamente conectado a tierra. No sumerja el módulo ni lo exponga a fuertes lluvias. De lo contrario, se anulará la garantía.

- Instale el módulo en un área bien ventilada para asegurarse de que el módulo funciona dentro

de su temperatura de trabajo especificada.

- Verifique que el voltaje de entrada del Smart Module sea de 12V CA, circuito clase 2. Recomendamos que use el transformador provisto con esta unidad.
- Utilice grasa dieléctrica en todas las conexiones y asegúrese de que todas las conexiones de los cables estén seguras.
- No conecte la alimentación antes de que finalicen las conexiones del cable.
- No corte ni altere ningún cordón redondo. Cortar o dañar cualquier cable redondo anulará la garantía.

Conectando La Iluminacion al Smart Module

Para todas las conexiones, aplique la grasa dieléctrica incluida a las clavijas de los enchufes. Alinee las teclas de los enchufes utilizando las flechas como guía. Apriete el anillo roscado, luego mueva la conexión y vuelva a apretar el anillo roscado 2-3 veces hasta que esté firmemente asentado.

NOTA: No alinear correctamente los enchufes resultará en daños a los componentes.

APP MÓVIL INFICOLOR

Para conectar su dispositivo móvil al Smart Module, asegúrese de que el Módulo esté enchufado y abra la aplicación InfiColor. La aplicación debe llenar su Smart Module en la pantalla de apertura. Simplemente seleccione el nombre del módulo. Tenga en cuenta que el módulo se puede conectar a solo un dispositivo móvil a la vez. El InfiColor Smart Module de Zona Única solo modificará la configuración de la zona 1 en la aplicación.

Para configurar el nombre de zona y temporizador

El módulo inteligente que se suministra con Colorfalls tiene una zona única con una función de temporizador para activar y desactivar la zona en los horarios establecidos. Haga clic en el menú desplegable. Edite el nombre de la zona del módulo de control en la página "ZONE SETTINGS" (Configuración de zona). El nombre de zona será visible en toda la aplicación. Haga clic en el botón "SAVE" (Guardar) para guardar los cambios. Aparecerá un cuadro para notificar al usuario que la configuración se ha guardado. Haga clic en el botón "BACK" (Atrás) una vez que haya completado la configuración.

Pestaña "COLOR"

Use la pestaña "COLOR" para elegir color para la zona usando el selector de color o los controles deslizantes rojo, verde y azul en la parte inferior. Elija el brillo del color ajustando el control deslizante.

Pestaña "FAVORITES"

La pestaña "FAVORITES" (Favoritos) almacena secuencias de cambio de color predeterminadas. Seleccione la zona, elija una secuencia de colores, luego elija la transición entre ellos, la velocidad de la secuencia y el brillo. El botón "EDIT" (Editar) elimina los favoritos almacenados que ha creado.

Pestaña "PERSONALIZE"

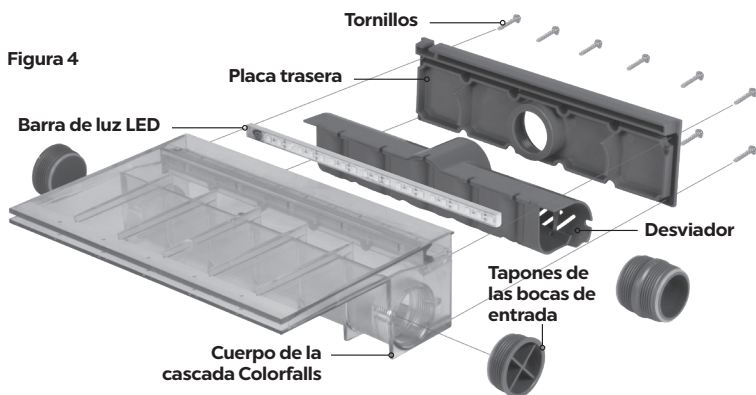
La pestaña "PERSONALIZE" (Personalizar) le permite crear y almacenar una secuencia de cambio de color personalizada. Mueva los controles deslizantes rojo, verde y azul para elegir un color, o selecciónelo en el selector de color. Una vez que haya decidido el color, haga clic en el botón "+" (Más) para agregarlo a la secuencia. Repita según lo deseado. Agrega hasta 10 colores a una secuencia. Una vez que la secuencia ha sido creada, puede ser nombrada y guardada. La secuencia guardada estará disponible en la página "FAVORITES" (Favoritos).

Mantenimiento

La cascada Colorfalls que cambia de colores de Atlantic tiene una placa trasera removible para fácil limpieza del interior del vertedero. Para limpiar el interior del vertedero, simplemente remueva los tornillos de la placa trasera y remueva el desviador (Figura 4). Quite cualquier obstrucción grande que pudiera haber y limpie el interior con un trapo no abrasivo. Después de terminar, instale el desviador y sujete nuevamente la placa trasera, verificando que la empaquetadura quede en su sitio para garantizar un sellado hermético.

Precaución: Tenga extremo cuidado al apretar los tornillos. Se recomienda encarecidamente que usted apriete los tornillos con un destornillador de mano. El apriete excesivo de los tornillos podría agrietar la placa trasera o desgastar los orificios para tornillo. Los tornillos sólo deben apretarse de manera ceñida para que la empaquetadura obtenga el sellado hermético.

Colorfalls de colores cambiantes de Atlantic cuentan con autodrenaje para la fácil preparación para el invierno. Cuando se apaga la bomba, el agua en el interior de Colorfalls se drena a través de la línea de suministro. Asegúrese de que la línea de suministro se haya drenado por completo. Quite la bomba y guárdela en un área interior durante el invierno. Si se ha instalado Colorfalls con una cuenca Atlantic Colorfalls, consulte las instrucciones del kit para cuencas para preparar apropiadamente la cuenca para el invierno.



Garantía

Las cascadas Colorfalls y todos sus componentes tienen una garantía limitada de un (1) año. Esta garantía limitada sólo se otorga al comprador original a partir de la fecha indicada en el recibo de compra original y se anula si ocurre algo de lo siguiente:

- El cable ha sido cortado o modificado entre el conductor y el cuerpo de la luz.
- La cascada Colorfalls se ha utilizado de manera incorrecta o ha sido maltratada.
- La cascada Colorfalls ha sido desensamblada o modificada de manera diferente a como se describe en este manual.
- El InfiColor Smart Module y las conexiones rápidas no se han protegido adecuadamente de la humedad con grasa dieléctrica.
- Desalineación de los enchufes que da como resultado daños a los componentes

Esta garantía excluye la mano de obra y los costos de mano de obra por la retirada o instalación de cualquier producto.

Guía para solución de problemas

Siempre desconecte la energía antes de inspeccionar la cascada Colorfalls. No seguir esta precaución puede resultar en un accidente grave. Antes de solicitar reparaciones, lea cuidadosamente este manual de instrucciones. Si el problema persiste, comuníquese con su distribuidor.

Problem	Possible Cause	Possible Solution
La barra de luces no se encienden	No hay alimentación eléctrica de entrada al transformador	Verifique que haya alimentación eléctrica hacia el tomacorriente/Revise el botón de restablecimiento del GFCI
	Sin potencia de salida del transformador	Utilice un voltímetro para verificar si el transformador está produciendo 12 voltios de AC
El color de las LED difiere del aplicación	Conexión incorrecta entre la luz LED y el Smart Module	Inspeccionar la conexión y alinear las claves en los enchufes
	Falla del controlador	Comuníquese con el distribuidor para reparación o reemplazo
Las cascada Colorfalls individuales dentro de un sistema más grande no están funcionando	Conexión incorrecta al divisor de 3 salidas o al Smart Module	Inspeccionar la conexión y alinear las claves en los enchufes
	El divisor de 3 salidas es defectuoso	Cambie posiciones con una luz que funcione en el mismo divisor para identificar si el divisor está causando el problema.
	Conexión suelta debido a humedad o corrosión en las conexiones	Inspecciones los enchufes de conexión rápida para saber si hay humedad, corrosión o si falta una junta. Limpie, seque, aplicar grasa dieléctrica y vuelva a armar.
	Conductor fallado	De ser posible, cambie el conductor por otro de una luz que funcione del mismo modelo para determinar si el conductor ha fallado. Hay conductores de reemplazo disponibles.
	Conjunto de diodos LED fallado	De ser posible, cambie conjunto de diodos LED por otro de una luz que funcione del mismo modelo para determinar si el conductor ha fallado. Hay conjunto de diodos LED de reemplazo disponibles.
El Smart Module no está respondiendo al aplicación	Aplicación no está sincronizado con el Smart Module	Reconecte el Smart Module por Bluetooth
Las luces responden intermitentemente al aplicación	Conexión suelta debido a humedad o corrosión en las conexiones	Inspecciones los enchufes de conexión rápida para saber si hay humedad, corrosión o si falta una junta. Limpie, seque, aplicar grasa dieléctrica y vuelva a armar.

Problem	Possible Cause	Possible Solution
El agua se fuga a través del cuerpo de la cascada Colorfalls	Mala conexión de la tubería	Inspeccione toda la tubería y tapones.
	Empaquetadura fuera de sitio	Verifique que la empaquetadura en la placa trasera está en su posición apropiada.
	Los tornillos en la placa trasera están demasiado flojos	Revise que todos los tornillos están totalmente apretados.
Flujo de agua disminuido	Entrada de la bomba está obstruido	Elimine la suciedad de la entrada de la bomba.
	Obstrucción en la tubería	Inspeccione la tubería y remueva cualquier suciedad.
	Suciedad en el vertedero de la cascada Colorfalls	Consulte la sección de Mantenimiento en la página 18
La lámina de agua de la cascada se está dividiendo	Suciedad en el vertedero de la cascada Colorfalls	Consulte la sección de Mantenimiento en la página 18



1.330.274.8317

www.ATLANTIC-OASE.com