

Oase



AquaMax Eco Expert

5300 / 12 V, 7100 / 12 V

Operating instructions
Notice d'emploi
Instrucciones de uso

English

Français

Español

Original operating manual. This operating manual belongs with the unit and must always be handed over together with the unit.

 **WARNING**

- ▶ Disconnect all electrical units in the water from the power supply before reaching into the water. Otherwise there is a risk of injuries or death by electrocution.
 - ▶ This unit can be used by children aged 8 and above and by persons with reduced physical, sensory or mental capabilities or lack of experience and knowledge if they are supervised or have been instructed on how to use the unit in a safe way and they understand the hazards involved. Do not allow children to play with the unit. Only allow children to carry out cleaning and user maintenance under supervision.
-

Table of Contents

Questions, problems, missing parts?	4
IMPORTANT SAFETY INFORMATION	4
Electrical connection	4
Safe operation	4
Intended use	5
Product description	6
Overview	6
Symbols on the unit	7
Installation variants	7
Seasonal Flow Control (SFC)	8
Installation and connection	8
Turning the pump casing	9
Connecting the control system	10
Submerged installation of the unit	11
Dry installation of the unit	12
Connecting the switching power pack to the pump	14
Commissioning/start-up	15
Switching ON/OFF	15
Environmental Function Control (EFC)	15
Maintenance and cleaning	16
Cleaning the unit	16
Pump disassembly/cleaning	16
Cleaning/replacing the impeller unit	17
Storage/overwintering	18
Troubleshooting	18
Technical data	19
Permissible water values	20
Wear parts	20
Disposal	20

Questions, problems, missing parts?

Before returning the unit to your dealer, call us at 330-274-8317, Monday-Friday, or email us at customerservice@atlantic-oase.com.

IMPORTANT SAFETY INFORMATION

Electrical connection

- Special regulations apply to electrical installation in outdoor areas. Only allow a qualified electrician to perform the electrical installation.
 - The qualified electrician has the required professional training, knowledge and skills to perform electrical installations in outdoor areas. The qualified electrician can detect potential risks and adheres to regional and national standards, regulations and directives.
 - For your own safety, please consult a qualified electrician.
- Only connect the unit if the electrical data of the unit and the power supply match.
- Only plug the unit into a correctly installed outlet. Ensure that the unit is fused for a rated fault current of max. 30 mA by means of a fault current protection device.
- Extension cables and power distributors (e.g. outlet strips) must be suitable for outdoor use (splash-proof).
- Protect open plugs and sockets from moisture.

Safe operation

- Do not use the unit, if electrical lines or the housing are damaged.
- Dispose of the unit if its power connection cable is damaged. The power connection cable cannot be replaced.
- The impeller unit in the pump contains a magnet with a strong magnetic field that may affect the operation of pacemakers or implantable cardioverter defibrillators (ICDs). Always keep a distance of at least 8 in (0.2 m) between the implant and the magnet.
- Do not carry or pull the unit by its power cable.
- Route lines so that they are protected from damage and nobody can trip over them.
- Never make technical modifications to the unit.
- Only carry out work on the unit that is described in this manual.
- Only use original spare parts and accessories.
- Should problems occur, please contact the authorized customer service or OASE.

WARNING

Serious injury or death due to dangerous electrical voltage is possible with an electrical device in water operated with a voltage $U > 12 \text{ V AC}$ or $U > 30 \text{ V DC}$.

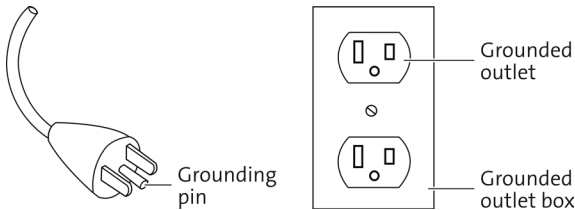
- ▶ Disconnect all electrical devices in the water from the power supply before reaching into the water.
 - ▶ Disconnect the device from the power supply before starting work on the unit.
-

⚠ WARNING

In the event of improper connection of the unit grounding, there is a risk of electric shock. The unit must be grounded in order for the electrical current to be dissipated via the grounding and to reduce the risk of electric shock in the event of a malfunction or failure.

Instructions for grounding:

- ▶ The unit is equipped with a mains cable with grounding conductor and a plug with grounding pin. The plug must be plugged into a suitable socket, which is installed and grounded according to local regulations and ordinances and is protected by a FI protection switch (GFCI).
- ▶ Do not modify the plug. Have a suitable socket installed by an electrician if the plug does not fit into the socket.
- ▶ Contact an electrician if you have any doubts as to whether the appliance is properly grounded.



Intended use

Only use the product described in this manual as follows:

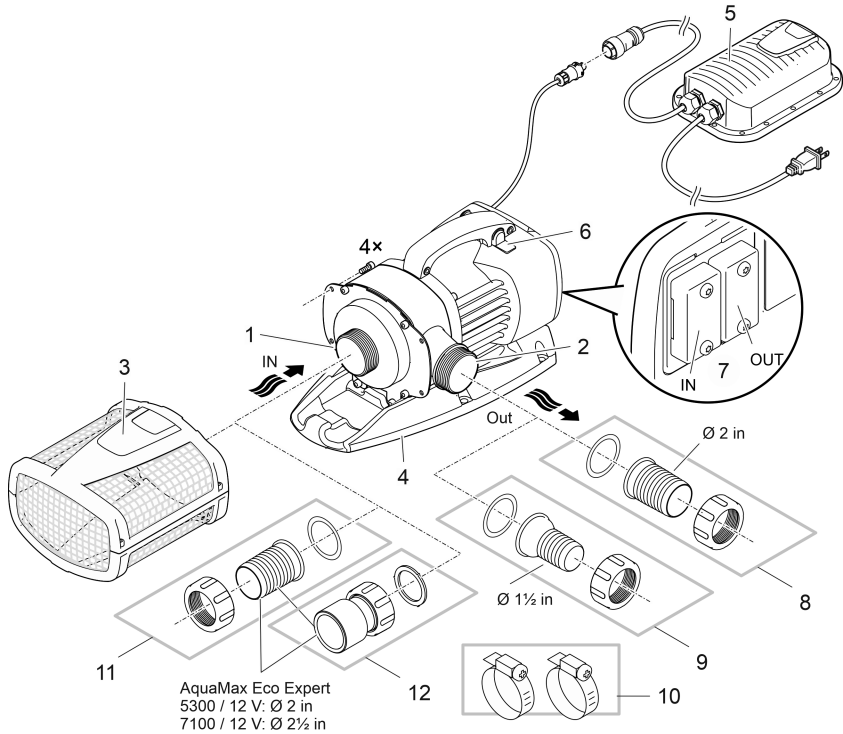
- For pumping normal pond water for filter systems, waterfall systems and water course systems.
- For use in swimming ponds if the national regulations for installers are met.
- Only operate with the original switching power pack.
- In compliance with the technical specifications. (→ Technical data)
- Only subject to adherence to the permissible water quality values. (→ Permissible water values)

The following restrictions apply to the unit:

- Never use the unit with fluids other than water.
- Never run the unit without water.
- Do not use in conjunction with chemicals, foodstuff, easily flammable or explosive substances.
- Do not connect to the domestic water supply.
- Do not use for commercial or industrial purposes.
- According to EMC (Electromagnetic Compatibility), this is a class A unit. The unit may cause malfunctions in living environments. It is the user's responsibility to take suitable counter-measures.

Product description

Overview



AMX0075

- 1 Inlet (suction side)
 - With filter cage (3) for submerged installation.
 - With sleeve for connecting a hose or pipe for dry installation.

- 2 Outlet (pressure side)
 - Connection of the return flow to the pond (e.g. via a water course).
 - The outlet can be converted to point upward.

- 3 Filter cage

- 4 Foot
 - With mounting holes for firm installation on the ground, if required.

- 5 Switching power pack with power cable
 - Pump power supply
 - For further information on the power pack, please refer to the separate operating manual.

- 6 Switch on/off Seasonal Flow Control (SFC).
 - The SFC function optimizes the pump speed and with it the water volume and pumping head based on the water temperature.

7	Control system connection <ul style="list-style-type: none"> • The control unit OASE Eco Control (accessories) is required to operate the pump. • Alternatively, the pump can be integrated in an OASE Control network. • For information on OASE Control, visit www.atlantic-oase.com.
8	Hose sleeve Ø 2 in (50 mm) <ul style="list-style-type: none"> • For hose clip connection
9	Hose sleeve Ø 1½ in (38 mm) <ul style="list-style-type: none"> • For hose clip connection
10	Hose clips <ul style="list-style-type: none"> • For fastening hoses on hose sleeves for hose clip connection.
11	Hose sleeve Ø 2 in (50 mm) or Ø 2½ in (63 mm) <ul style="list-style-type: none"> • For hose clip connection
12	Pipe sleeve Ø 2 in (50 mm) or Ø 2½ in (63 mm) <ul style="list-style-type: none"> • For glued connection

Symbols on the unit

IP68



The unit is dust-proof and water-tight down to 13.1 ft (4 m).



Possible hazard for persons wearing pace makers.



Only operate the unit with a safety transformer.



Protect the unit from direct sunlight.

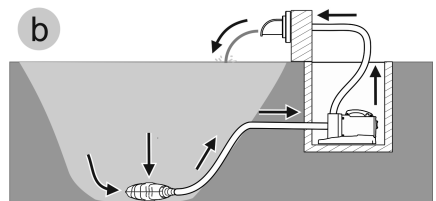
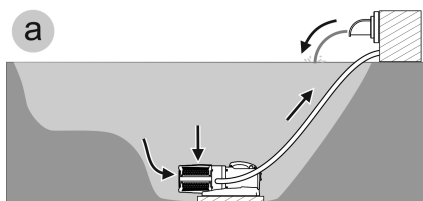


Never dispose of the unit with normal household waste.



Read the operating instructions.

Installation variants



AMX0157

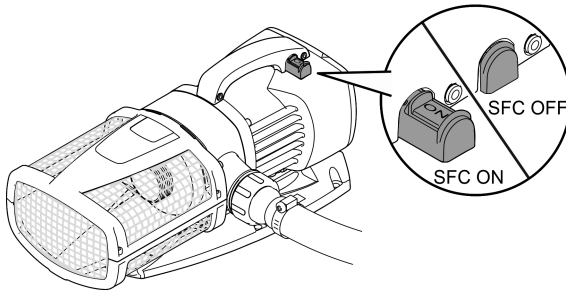
- Variant (a): Submerged pump installation
 - The pump is positioned in the pond.
 - Water flow via the filter cage.
- Variant (b): Dry pump installation
 - The pump is installed without the filter cage outside of the pond but lower than the water level.
 - Water flow via a satellite filter or skimmer.

Seasonal Flow Control (SFC)

Activating the SFC function reduces energy costs as the unit automatically optimizes its speed and with it the water volume and pumping head based on the water temperature.

However, this also means that the SFC function causes the unit to adapt to the individual pond ecology throughout the year and support the pond biology through temperature-dependent circulation (winter mode, transition mode and summer mode).

- ❗ The SFC function does not work with dry pump installation. If a skimmer, satellite filter or OASE InScenio control unit is used, it may be advisable to deactivate the SFC function, depending on the system.



AMX0024

Installation and connection

The pump can be installed submerged (in water) or dry (outside the water).

The use of the pump is only permitted subject to adherence to the specified water quality.
(→ Permissible water values)

- Pool water or salt water can impair the appearance of the unit. Such impairments are excluded from the warranty.

⚠ WARNING

The power supply carries dangerous electrical voltage and must not be placed directly near water. Otherwise, there is a risk of serious injury or death from electric shock.

- ▶ Install the power supply in a flood-protected position at a distance of at least 6.6 ft (2 m) from the water.

⚠ CAUTION

Rotating components in the area of the intake connection and the pressure connection. Reaching into the connections can lead to injuries.

Please note in particular: If a unit has stopped due to overload, it can start up unexpectedly!

- ▶ Do not reach into the opening of the inlet connection or outlet connection while the power plug is connected.
- ▶ If the connections are freely accessible, e.g. if no hoses are connected, secure the connections with a finger guard. The finger guard is available as an accessory.

NOTE

If the pump is used for conveying excessively muddy water, the impeller unit will be subject to increased wear and will require earlier replacement.

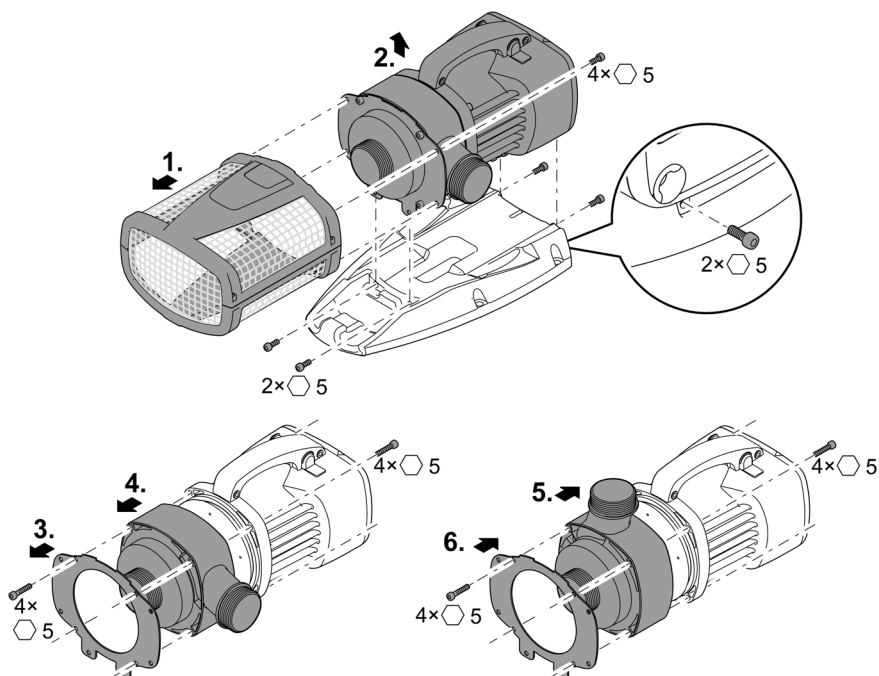
- ▶ Thoroughly clean the pond or pool before installing the pump.
- ▶ Install the pump at a raised level above the bottom of the pond. This reduces intake of muddy water.

- ⓘ Avoid direct sunlight when the components of the unit are not immersed, as this can cause them to heat up considerably. Use a protective cover if necessary.

Turning the pump casing

The pump outlet can be aligned as follows:

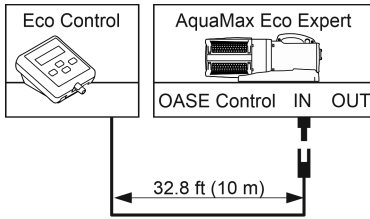
- Horizontally, pointing to the right (standard).
- Vertically, pointing up (conversion required).



AMX0023

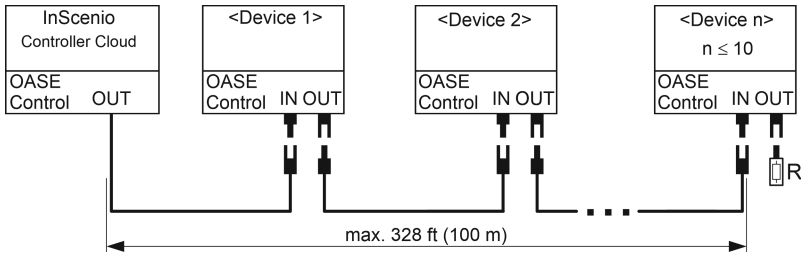
Connecting the control system

The control unit OASE Eco Control (accessories) is required to operate the pump.



AMX0158

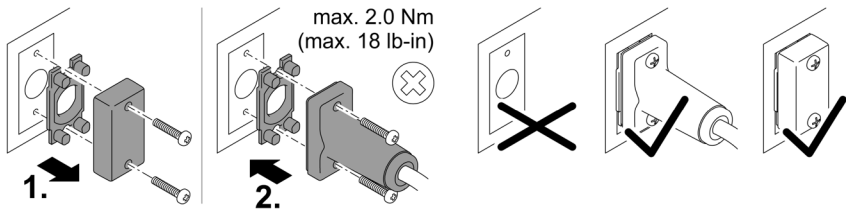
Alternatively, the pump can be integrated in an OASE Control network. For information on this topic, visit www.atlantic-oase.com.



EGC0009

❗ For further information refer to the manual for the accessories.

Connecting and disconnecting the OASE Control plug connection



PLX0004

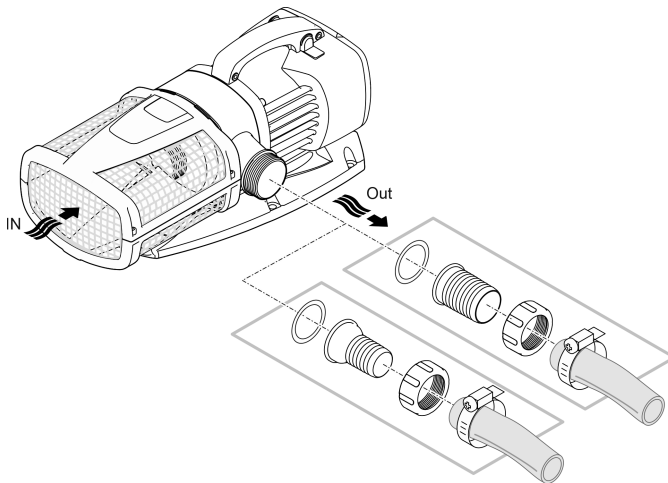
NOTE

The unit will be destroyed if water penetrates the plug connector.

- Connect the plug connector or place the protective cap on the plug connector.
 - Ensure that the rubber seal is clean and fits precisely. If the rubber seal is damaged, replace it.
 - Secure the plug connector or protective cap with the two screws.

Submerged installation of the unit

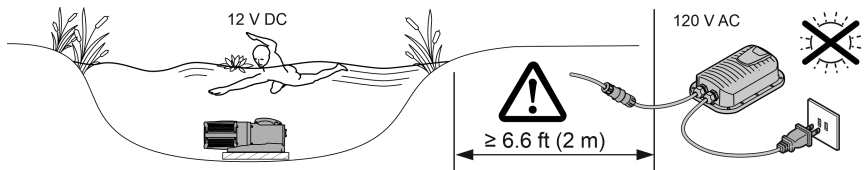
Connection



AMX0021

Do not plug the power plug into the outlet yet!

Installation



AMX0074

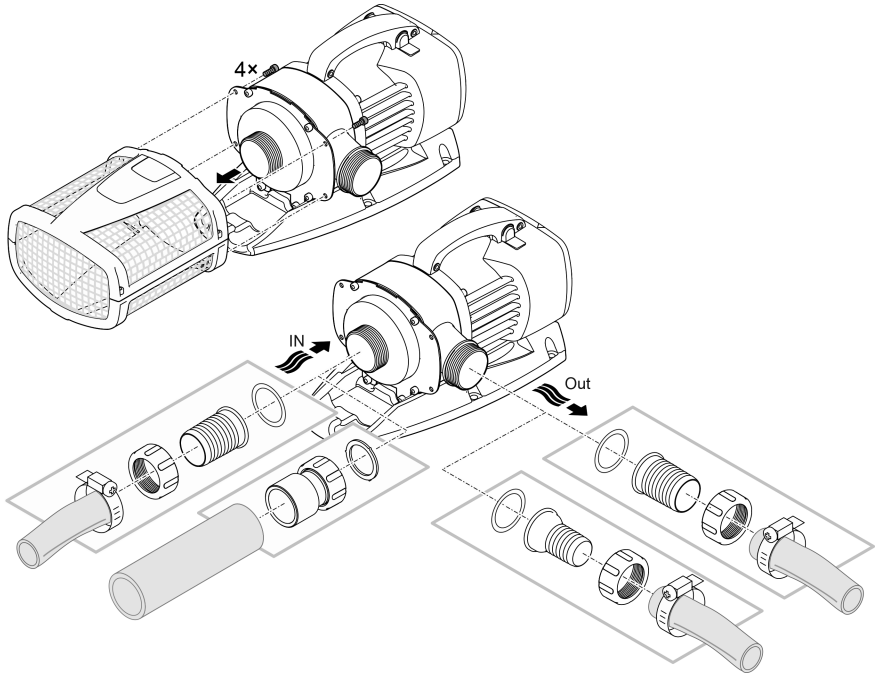
- Position the pump horizontally on a firm, mud-free surface.
 - Ensure that the pump is securely positioned.
 - Only operate the pump when it is fully submerged.
- ⓘ A pull rope allows you to simply pull the pump out of the water.
- Pull the pull rope through the round openings on the bottom pan of the filter and make a knot.

Dry installation of the unit

Connection

Hoses or pipes can be connected at the inlet and outlet. Recommendation:

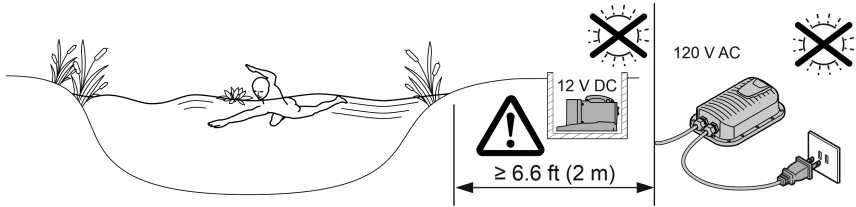
- Up to 16.5 ft length: Use hoses
- From 16.5 ft length: Use pipes.



AMX0025

Do not plug the power plug into the outlet yet!

Installation

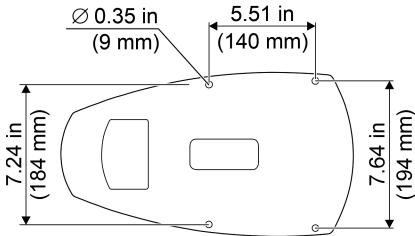


AMX0079

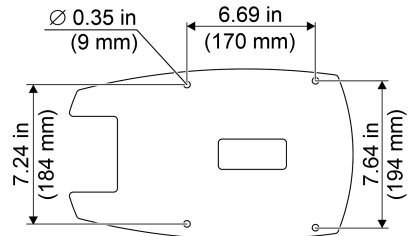
- Position the pump horizontally on a firm, mud-free surface.
- Ensure that the pump is securely positioned.

i To ensure stability, it is possible to screw the unit to a suitable base.

AquaMax Eco Expert 5300 / 12 V



AquaMax Eco Expert 7100 / 12 V



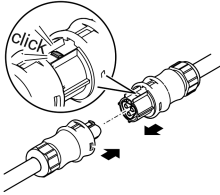
AMX0169

Connecting the switching power pack to the pump

NOTE

If water penetrates the plug connectors, this will destroy the pump.

- ▶ Never undo the union nuts on the plug connectors.

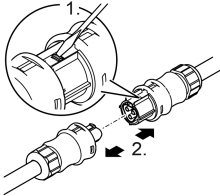


AMX0077

- The stud on the plug connector of the pump must engage with the plug connector of the switching power pack.

Do not plug the power plug into the outlet yet!

Once the plug connectors of the filter pump and switching power pack have been inserted and have engaged, they can only be disconnected by means of a screw driver.



AMX0078

Commissioning/start-up

NOTE

The unit will be destroyed if it is operated with a dimmer. It contains sensitive electrical components.

- ▶ Do not connect the unit to a dimmable power supply.
-

NOTE

Never allow the pump to run dry. Otherwise the pump will be destroyed.

- ▶ Only operate the pump when it is submerged or flooded.
-

- ⓘ A brand-new pump will only reach its maximum capacity after several hours of operation.

Switching ON/OFF

- **Switching on:** Plug the power plug into the outlet.
 - The unit switches on immediately.
- **Switching off:** Pull the power plug from the outlet.

Environmental Function Control (EFC)

When started up, the pump automatically performs a pre-programmed self-test (**Environmental Function Control (EFC)**). The pump detects if it is running dry / blocked or submerged. The pump switches off automatically after approx. 60 seconds if it runs dry/is blocked. In the event of a malfunction, disconnect the power supply and “flood the pump” or remove the obstacle. Afterwards, the unit can be restarted.

Maintenance and cleaning

CAUTION

Risk of injury due to unforeseeable start-up. Internal monitoring functions can shut down the unit and reactivate it automatically.

- ▶ Disconnect the power plug before carrying out any work on the unit.

NOTE

Do not use aggressive cleaning agents or chemical solutions. These agents can damage the housing, impair the function of the device and harm animals, plants and the environment.

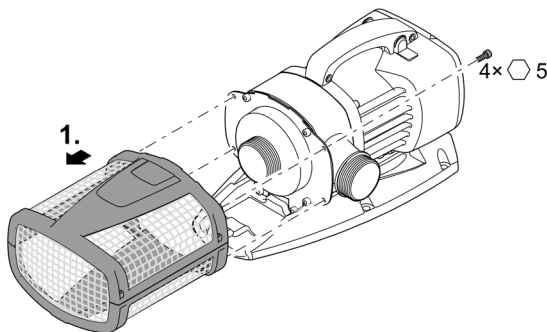
- ▶ Clean the unit with clean water and a soft brush or sponge wherever possible. Remove stubborn dirt with the aid of the recommended cleaning agents.

Cleaning the unit

- ❗ Clean the unit as required, but at least twice a year.
 - When cleaning the pump, pay particular attention to the impeller unit and the pump housing.
- Recommended cleaning agent for removing stubborn limescale deposits:
 - Vinegar- and chlorine-free household cleaning agent.
- After cleaning, thoroughly rinse all parts in clean water.

Pump disassembly/cleaning

- Pull the power plug and remove all connections.
- Dismantle the unit as shown in the figure.



AMX0022

Cleaning/replacing the impeller unit

NOTE

The impeller unit is guided in the motor block by a bearing. This bearing is a wear part and should be changed at the same time as the impeller unit.

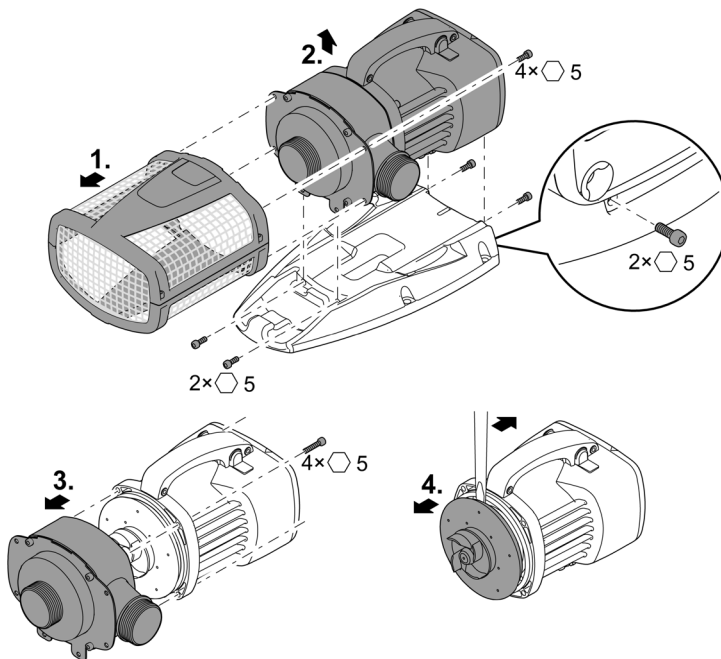
- Changing the bearing requires specialist knowledge and tools. Have the bearing changed by the OASE specialist dealer or send the pump to OASE.

NOTE

The impeller unit contains strong magnets that attract magnetic particles (e.g. iron filings). Any remaining particles can cause irreparable damage to the impeller unit and motor block.

- Carefully remove all adhering particles from the impeller unit before installation.

- Dismantle the pump as shown in the figure.
- Clean the components with a brush under clear water.
- Check all components for damage. Replace damaged or worn components.
- Reassemble the pump in reverse order.



AMX0026

Storage/overwintering

The unit is frost-proof down to temperatures of -4°F (-20°C). If you wish to store the unit outside of the pond, clean it thoroughly with a soft brush and water, check it for damage, then store it submerged or filled with water. Do not immerse the power plug in water!

Troubleshooting

Malfunction	Cause	Remedy
The pump does not start	No power supply	Check power supply
	Supply lines kinked	Route the supply lines without kinks
	Supply lines clogged	Check/clean supply lines
	The impeller unit is blocked	Remove block, check impeller unit for ease of movement
Pump does not transport liquid Insufficient conveyed volume	Filter casing clogged	Clean filter pans
	Excessive loss in the supply lines	Reduce hose lengths to the necessary minimum, remove unnecessary connection parts
	Impeller unit is running sluggishly	Check impeller unit for ease of movement
Pump switches off after a short running period	Water is heavily soiled	Clean pump
	The impeller unit is blocked	Remove block, check impeller unit for ease of movement
	Pump has run dry	Check/clean supply lines
	Water temperature too high	Adhere to the maximum permissible water temperature. (→ Technical data)

Technical data

AquaMax Eco Expert		5300 / 12 V	7100 / 12 V	
Associated power pack		250 VA / 12 V DC		
Connection voltage	V DC	12	12	
Max. current consumption	A	20	20	
Power consumption	W	30 ... 260	30 ... 260	
Max. delivery rate	gph	5100	7100	
	l/h	19300	27000	
Max. pumping head	ft	15.1	15.1	
	m	4.6	4.6	
Protection type		IP68	IP68	
Max. immersion depth	ft	13.1	13.1	
	m	4	4	
Suction side	Thread	G2	G2½	
	Hose connection	in	2	2½
		mm	50	63
Pressure side	Thread	G2	G2	
	Hose connection	in	1½, 2	1½, 2
		mm	38, 50	38, 50
Max. grain size of coarse dirt	in	0.43	0.43	
	mm	11	11	
Filter inlet area	in ²	164	164	
	cm ²	1060	1060	
Water temperature (submerged installation)	During operation	(→ Permissible water values)		
	Outside of operation	°F	-4 ... +95	-4 ... +95
		°C	-20 ... +35	-20 ... +35
Ambient temperature (dry installation)	During operation and convection	°F	+39 ... +95	+39 ... +95
		°C	+4 ... +30	+4 ... +30
	During operation and forced cooling	°F	+39 ... +104	+39 ... +104
		°C	+4 ... +40	+4 ... +40
Dimensions	Length	in	19.3	21.3
		mm	490	540
	Width	in	9.4	9.8
		mm	240	250
	Height	in	8.3	8.7
		mm	210	220
Length of connection cable	ft	26.2	26.2	
	m	8	8	
Weight	lbs	25.1	31.5	
	kg	11.4	14.3	

Permissible water values

Type		Fresh water	Pool water	Salt water
pH value		6.8 ... 8.5	7.2 ... 8.3	7.5 ... 8.5
Hardness	ppm	0.45 ... 0.84	0.45 ... 0.84	1.12 ... 1.68
	DH	8 ... 15	8 ... 15	20 ... 30
Free chlorine	moz/gal	<0.04	<0.08	<0.04
	mg/l	<0.3	<0.6	<0.3
Chloride content	moz/gal	<33.4	<33.4	<29392
	mg/l	<250	<250	<22000
Salt content	%	<0.4	<0.4	<4
Overall dry residue	moz/gal	<6.67	<6.67	<6.67
	mg/l	<50	<50	<50
Temperature	°F	+39 ... +95	+39 ... +86	+39 ... +82
	°C	+4 ... +35	+4 ... +30	+4 ... +28

Wear parts

- Impeller unit
- Bearing in the motor block

Disposal

NOTE

Do not dispose of this unit with domestic waste.

- ▶ Dispose of the unit by using the return system provided for this purpose.
- ▶ Should you have questions, please contact your local disposal company. They will give you instructions on how to dispose of your unit properly.
- ▶ Disable the unit by cutting off the cables.

Traduction de la notice d'emploi d'origine. La notice d'emploi fait partie de l'appareil et doit par conséquent lui être toujours jointe lorsqu'il est transféré.

AVERTISSEMENT

- ▶ Débrancher tous les appareils électriques immergés avant de pénétrer dans l'eau afin de prévenir tout risque de blessures ou un danger de mort par électrocution.
 - ▶ Dans le cas où cet appareil serait utilisé par des mineurs de moins de 8 ans ainsi que par des personnes souffrant d'un handicap mental ou plus généralement par des personnes manquant d'expérience, un adulte averti devra être présent, qui renseignera le mineur ou la personne fragilisée concernée sur le bon emploi de ce matériel. Les enfants ne doivent pas jouer avec cet appareil. Ne pas laisser un enfant sans surveillance pour le nettoyage ou l'entretien.
-

Table des matières

Des questions, des problèmes, des pièces manquantes ?	23
CONSIGNES DE SÉCURITÉ IMPORTANTES.....	23
Raccordement électrique.....	23
Exploitation sécurisée.....	23
Utilisation conforme à la finalité	24
Description du produit	25
Vue d'ensemble.....	25
Symboles sur l'appareil	26
Variantes d'installation.....	26
Seasonal Flow Control (SFC).....	27
Mise en place et raccordement.....	27
Tourner le corps de la pompe	28
Brancher la commande.....	29
Mise en place en immergé de l'appareil.....	30
Mise en place de l'appareil au sec.....	31
Raccorder le bloc d'alimentation à la pompe	33
Mise en service	34
Mise en circuit / mise hors circuit.....	34
Environmental Function Control (EFC).....	34
Nettoyage et entretien.....	35
Nettoyage de l'appareil.....	35
Démonter/nettoyer la pompe	35
Nettoyage/Remplacement de l'unité de fonctionnement	36
Stockage / entreposage pour l'hiver	37
Dépannage	37
Caractéristiques techniques	38
Valeurs admissibles de l'eau.....	39
Pièces d'usure.....	39
Recyclage	39

Des questions, des problèmes, des pièces manquantes ?

Avant de retourner l'appareil à votre revendeur, appelez-nous au 330-274-8317, du lundi au vendredi, ou envoyez-nous un e-mail à customerservice@atlantic-oase.com.

CONSIGNES DE SÉCURITÉ IMPORTANTES

Raccordement électrique

- Des dispositions particulières s'appliquent aux installations électriques en extérieur. Seul un électricien qualifié peut réaliser l'installation électrique.
 - En raison de sa formation professionnelle, de ses connaissances et de son expérience, l'électricien qualifié possède les connaissances nécessaires et a le droit de réaliser des installations électriques en extérieur. Il est capable d'identifier d'éventuels dangers et respecte les normes, règlements et dispositions régionaux et nationaux en vigueur.
 - En cas de questions et de problèmes, prière de vous adresser à un électricien qualifié.
- Ne brancher l'appareil que lorsque les caractéristiques électriques de l'appareil et de l'alimentation correspondent.
- Raccorder l'appareil uniquement à une prise installée de manière réglementaire. Veiller à ce que l'appareil soit absolument protégé par fusible par le biais d'une protection différentielle avec un courant assigné de 30 mA maximum.
- Les câbles de rallonge et le distributeur de courant (p. ex. blocs multiprises) doivent être conçus pour une utilisation en extérieur (protégé contre les projections d'eau).
- Protégez les fiches et les douilles ouvertes contre l'humidité.

Exploitation sécurisée

- Ne pas utiliser l'appareil en cas d'endommagement des câbles électriques ou du boîtier.
- Jetez l'appareil si son câble de raccordement au secteur est endommagé. Le câble de raccordement au secteur ne peut pas être remplacé.
- L'unité de fonctionnement dans l'appareil contient un aimant à champ magnétique puissant qui risque d'avoir un impact sur les stimulateurs cardiaques ou les défibrillateurs implantés (ICD). Maintenir une distance d'au moins 8 pouces (0,20 m) entre l'implant et l'aimant.
- Ne pas soulever ni tirer l'appareil par le câble électrique.
- Poser les câbles de manière à éviter tout risque d'endommagement et de trébuchement.
- Ne jamais procéder à des modifications techniques sur l'appareil.
- Exécuter des travaux sur l'appareil uniquement si ces derniers sont décrits dans la notice d'emploi.
- N'utiliser que des pièces de rechange et des accessoires d'origine.
- En cas de problèmes, adressez-vous au service après-vente autorisé ou contactez OASE.

AVERTISSEMENT

Dans l'eau, tout appareil électrique alimenté par une tension $U > 12 \text{ VCA}$ ou $U > 30 \text{ VCC}$ peut entraîner des blessures graves voire mortelles dues à une tension électrique dangereuse.

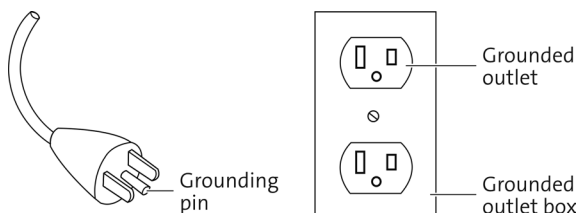
- ▶ Avant d'entrer dans l'eau, débranchez tous les appareils électriques.
- ▶ Avant d'entamer tout travail sur l'appareil, débrancher ce dernier du réseau électrique.

⚠ AVERTISSEMENT

En cas de raccordement non conforme de l'appareil à la terre, il existe un risque d'électrocution. L'appareil doit être mis à la terre afin qu'en cas de dysfonctionnement ou de panne, le courant électrique soit évacué par la terre. Le risque d'électrocution est ainsi réduit.

Instructions concernant la mise à la terre :

- ▶ L'appareil est doté d'un câble réseau pourvu d'une prise de terre et d'un connecteur avec fiche de terre. Le connecteur doit être branché sur une prise électrique adaptée, installée et mise à la terre conformément aux prescriptions et réglementations locales, et protégée par un disjoncteur FI (GFCI).
- ▶ Ne pas apporter de modification au connecteur. Si le connecteur ne convient pas à la prise, confier l'installation d'une prise adaptée à un électricien.
- ▶ En cas de doutes concernant la mise à la terre correcte de l'appareil, s'adresser à un électricien.



Utilisation conforme à la finalité

Utilisez le produit décrit dans cette notice uniquement de la manière suivante :

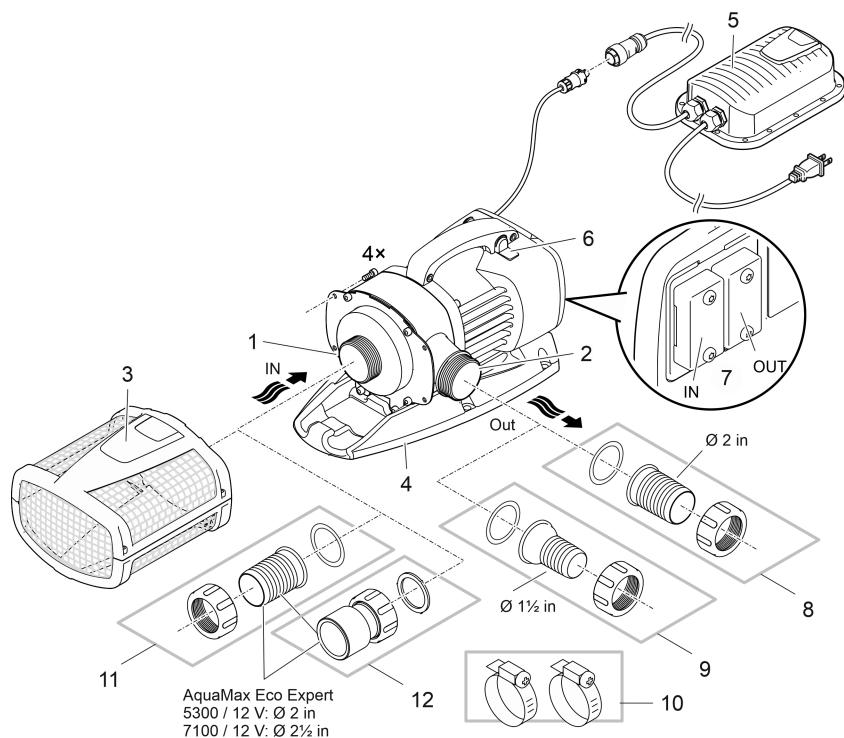
- Pour le pompage d'eau normale d'étang pour filtres, cascades et cours d'eau.
- Utilisation dans des bassins et des piscines dans le respect de prescriptions nationales de construction.
- Utiliser uniquement le bloc d'alimentation d'origine.
- Dans le respect des caractéristiques techniques. (→ Caractéristiques techniques)
- Dans le respect des valeurs d'eau admissibles. (→ Valeurs admissibles de l'eau)

Les restrictions suivantes sont valables pour l'appareil :

- Ne jamais utiliser dans d'autres liquides que de l'eau.
- Ne jamais utiliser sans débit d'eau.
- Ne pas utiliser en relation avec des produits chimiques, des produits alimentaires, des matériaux facilement inflammables ou explosifs.
- A ne pas raccorder à l'alimentation en eau potable.
- Ne pas utiliser à des fins commerciales ou industrielles.
- Selon la classification de la compatibilité électromagnétique, la pompe est un appareil de catégorie A. Dans les logements, l'appareil peut causer des interférences. L'utilisateur doit prendre des mesures appropriées.

Description du produit

Vue d'ensemble



AquaMax Eco Expert
5300 / 12 V: Ø 2 in
7100 / 12 V: Ø 2½ in

AMX0075

- 1 Entrée (côté aspiration)
 - Avec panier de filtration (3) en cas d'installation immergée.
 - Avec embout pour le raccordement d'un tuyau ou d'un tube en cas d'installation à sec.

- 2 Sortie (côté refoulement)
 - Raccordement de la conduite de retour dans le bassin (par ex. via un cours d'eau).
 - La sortie peut être orientée vers le haut grâce à une modification.

- 3 Panier de filtration


- 4 Pied-support
 - Avec des trous de montage pour une installation fixe au sol si nécessaire.

- 5 Bloc d'alimentation à commutation avec câble secteur
 - Alimentation en électricité de la pompe
 - Pour plus d'informations sur le bloc d'alimentation, voir la notice d'emploi séparée.

- 6 Allumer/éteindre Seasonal Flow Control (SFC).
 - La fonction SFC optimise la vitesse de rotation de la pompe et donc le débit d'eau et la hauteur de refoulement en fonction de la température de l'eau.

7	Raccordement de la commande <ul style="list-style-type: none"> • L'appareil de commande OASE Eco Control (accessoire) est nécessaire pour faire fonctionner la pompe. • Il est également possible d'intégrer la pompe dans un réseau-OASE Control. • Vous trouverez des informations sur OASE Control sur le site www.atlantic-oase.com.
8	Embout à olive Ø 2 pouces (50 mm) <ul style="list-style-type: none"> • Pour raccord avec collier de serrage
9	Embout à olive Ø 1½ pouces (38 mm) <ul style="list-style-type: none"> • Pour raccord avec collier de serrage
10	Colliers de serrage <ul style="list-style-type: none"> • Pour la fixation des tuyaux sur les embouts à olive avec collier de serrage.
11	Embout à olive Ø 2 pouces (50 mm) voire Ø 2½ pouces (63 mm) <ul style="list-style-type: none"> • Pour raccord avec collier de serrage
12	Manchon de raccord Ø 2 pouces (50 mm) voire Ø 2½ pouces (63 mm) <ul style="list-style-type: none"> • Pour raccord par collage

Symboles sur l'appareil

IP68  L'appareil est étanche à la poussière et à l'eau jusqu'à 13,1 pieds (4 m).



Dangers possibles pour les personnes ayant des stimulateurs cardiaques.



Utilisez l'appareil uniquement avec un transformateur de sécurité.



Ne pas exposer directement l'appareil aux rayons du soleil.

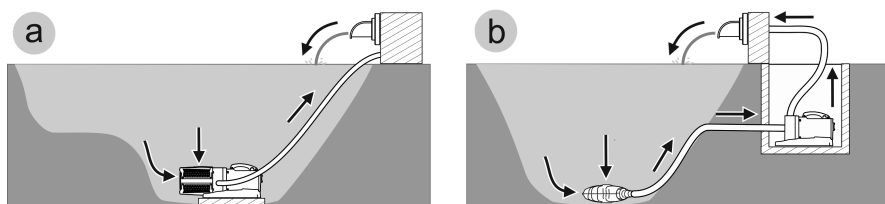


Ne pas jeter l'appareil avec les déchets ménagers courants.



Lire la notice d'emploi.

Variantes d'installation



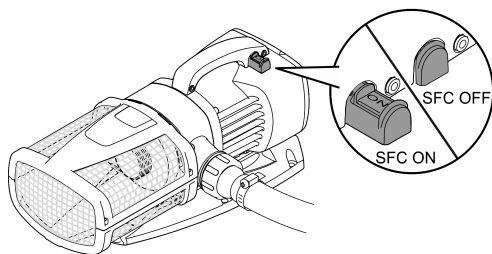
- Variante (a) : Installer la pompe immergée
 - La pompe est positionnée dans l'étang ou le bassin.
 - Pompage d'eau par le panier de filtration.
- Variante (b) : Installer la pompe hors de l'eau
 - La pompe est placée sans panier de filtration à l'extérieur de l'étang ou du bassin mais en-dessous du niveau de l'eau.
 - Pompage d'eau par un filtre satellite ou un skimmer.

Seasonal Flow Control (SFC)

Lorsque la fonction SFC est activée, il est possible d'économiser des coûts d'énergie, car l'appareil optimise lui-même sa vitesse de rotation et donc le débit et la hauteur de refoulement en fonction de la température de l'eau.

Cela signifie également que le SFC permet à l'appareil de s'adapter durant toute l'année à l'écologie du bassin et d'assister le système biologique aquatique par le biais d'une circulation d'eau liée à la température (mode hivernal, mode mi-saison et mode d'été).

- i** SFC ne fonctionne pas en installation à sec. Lors de l'utilisation d'un skimmer, d'un filtre satellite ou d'un appareil de régulation InScenio OASE il peut, en fonction de l'installation, s'avérer recommandé de désactiver la fonction SFC.



AMX0024

Mise en place et raccordement

La pompe peut être installée en immersion (dans l'eau) ou au sec (hors de l'eau).

L'utilisation de la pompe est autorisée uniquement dans le respect des valeurs d'eau admissibles. (→ Valeurs admissibles de l'eau)

- L'eau de piscine ou l'eau de mer risquent de nuire à l'aspect de l'appareil. Ces altérations sont exclues de la garantie.

⚠ AVERTISSEMENT

L'appareil délivre une tension électrique dangereuse et ne doit pas être installé directement au bord de l'eau. Dans le cas contraire, il y a risque de blessures graves ou de mort par électrocution.

- ▶ Placez le bloc d'alimentation à l'abri des inondations, à une distance d'au moins 6,6 pieds (2 m) de l'eau.

⚠ PRUDENCE

Composants rotatifs au niveau de la tubulure d'aspiration et de la tubulure de refoulement. Des blessures sont possibles si vous introduisez vos mains dans les tubulures.

Notez en particulier : Un appareil arrêté en raison d'une surcharge peut redémarrer de manière inattendue !

- ▶ N'introduisez pas vos doigts dans l'ouverture de la tubulure d'aspiration ou de refoulement lorsque la fiche de secteur est branchée.
- ▶ Si les tubulures sont librement accessibles pendant le fonctionnement, par exemple si aucun tuyau n'est raccordé, sécurisez les tubulures avec une protection contre le contact. La protection contre le contact est disponible dans les accessoires.

REMARQUE

Une eau très envasée peut provoquer l'usure plus rapide de l'unité de marche de la pompe et demander son remplacement prématuré.

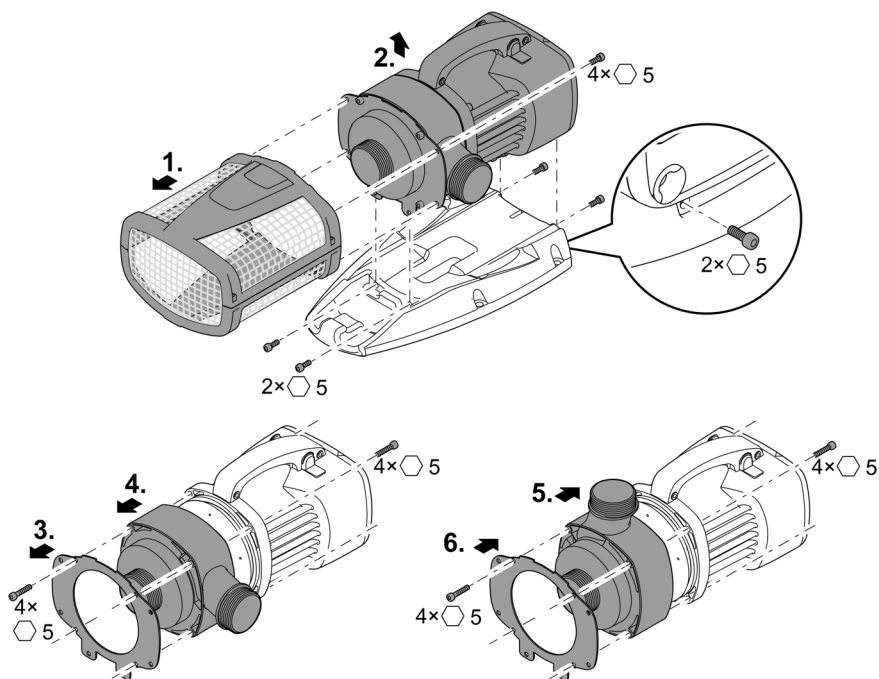
- ▶ Nettoyez soigneusement l'étang ou le bassin avant d'installer la pompe.
- ▶ Placez la pompe en hauteur par rapport au fond. Cela permet de réduire l'aspiration d'eau boueuse.

- ❗ Évitez le rayonnement solaire direct lorsque les composants de l'appareil ne sont pas immergés, car cela peut les faire fortement chauffer. Utilisez éventuellement une couverture de protection.

Tourner le corps de la pompe

La sortie de la pompe peut être positionnée comme suit :

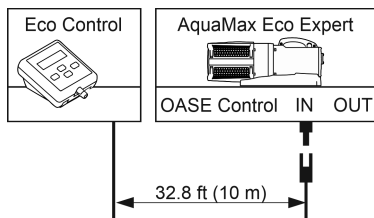
- horizontalement, orientée vers la droite (standard).
- verticalement, orientée vers le haut (modification nécessaire).



AMX0023

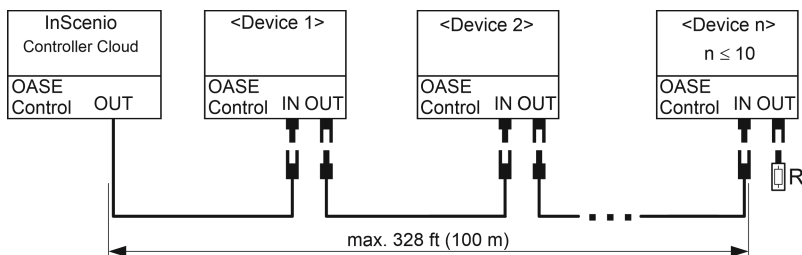
Brancher la commande

L'appareil de commande OASE Eco Control (accessoire) est nécessaire pour faire fonctionner la pompe.



AMX0158

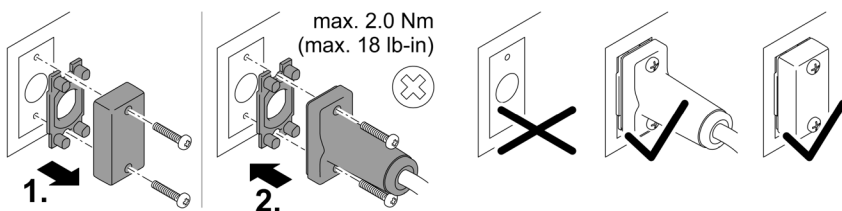
Il est également possible d'intégrer la pompe dans un réseau-OASE Control. Pour obtenir des informations à ce sujet, rendez-vous sur www.atlantic-oase.com.



EGC0009

❗ Pour plus d'informations, consultez la notice d'emploi de l'accessoire.

Connexion et déconnexion d'OASE Control



PLX0004

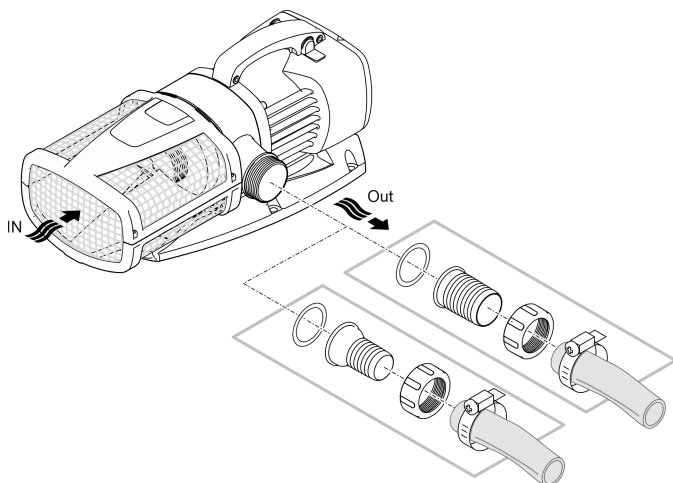
REMARQUE

Une infiltration d'eau dans la fiche de raccordement entraîne un endommagement de l'appareil.

- Brancher la fiche de raccordement ou poser le capuchon de protection sur la fiche de raccordement.
 - Le joint en caoutchouc doit être propre et parfaitement en place. Il faut remplacer un joint en caoutchouc endommagé.
 - Fixer la fiche de raccordement ou le capuchon de protection à l'aide des deux vis.

Mise en place en immergé de l'appareil

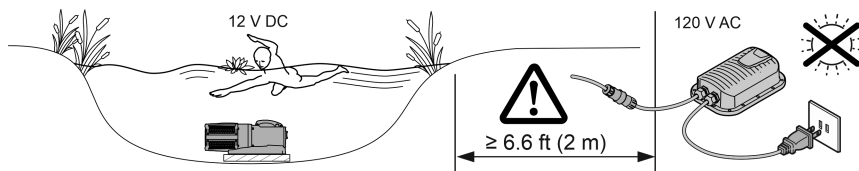
Raccordement



AMX0021

Ne branchez pas encore la fiche de secteur dans la prise de courant !

Mise en place



AMX0074

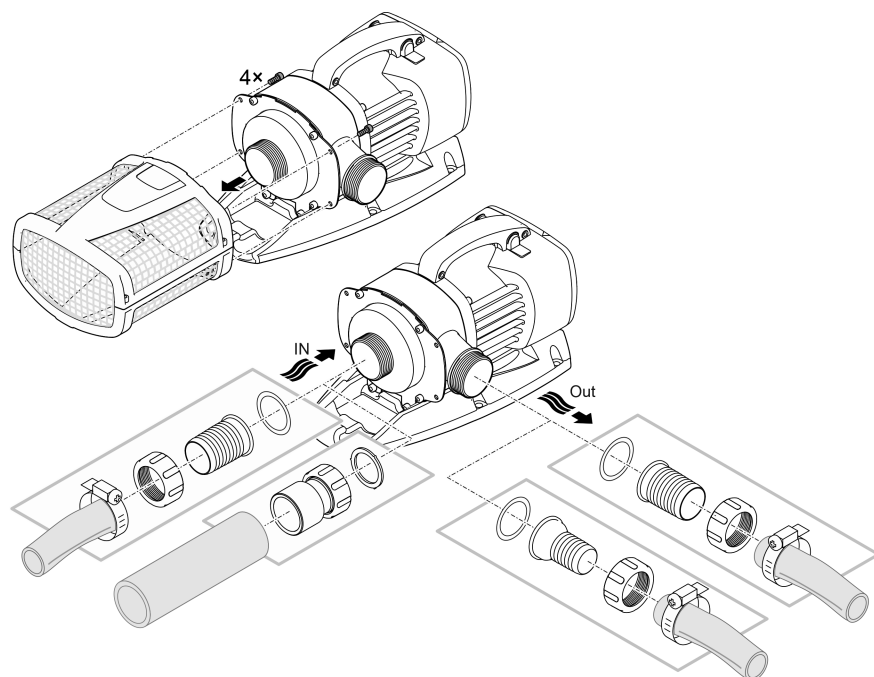
- Placez la pompe à l'horizontale sur un support stable et non boueux.
 - Veillez à la bonne stabilité de la pompe.
 - Ne faites fonctionner la pompe que lorsqu'elle est complètement immergée dans l'eau.
- ① Le câble de retrait permet de sortir facilement la pompe de l'eau.
- Faites passer le câble de retrait par les ouvertures rondes de la coque inférieure du filtre et le fixer.

Mise en place de l'appareil au sec

Raccordement

Au niveau de l'arrivée et de la sortie, il est possible de raccorder des tuyaux flexibles ou des tuyaux rigides. Conseil :

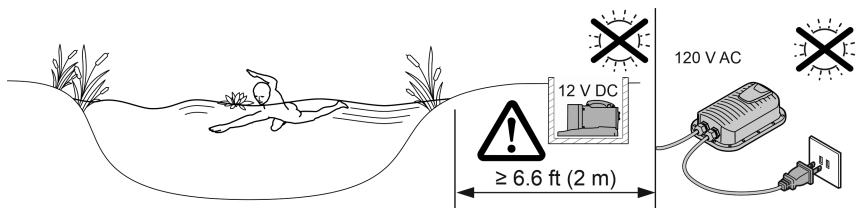
- Jusqu'à 5 m de longueur : Utiliser des tuyaux.
- A partir de 5 m de longueur : Utiliser des tubes.



AMX0025

Ne branchez pas encore la fiche de secteur dans la prise de courant !

Mise en place

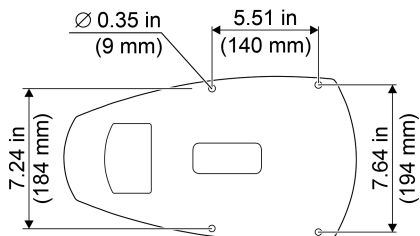


AMX0079

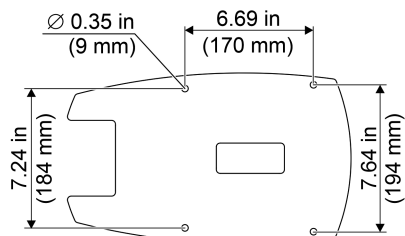
- Placez la pompe à l'horizontale sur un support stable et non boueux.
- Veillez à la bonne stabilité de la pompe.

❗ Pour une bonne stabilité, vous pouvez visser l'appareil sur un support approprié.

AquaMax Eco Expert 5300 / 12 V



AquaMax Eco Expert 7100 / 12 V



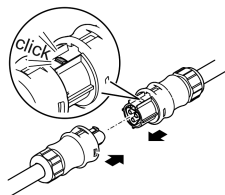
AMX0169

Raccorder le bloc d'alimentation à la pompe

REMARQUE

Une infiltration d'eau dans les fiches de raccordement détruit la pompe.

► Ne jamais desserrer les écrous-raccords sur les fiches de raccordement.

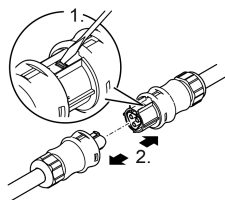


AMX0077

- Le nez du connecteur de la pompe doit s'enclencher dans le connecteur du bloc d'alimentation.

Ne branchez pas encore la fiche de secteur dans la prise de courant !

Si les connecteurs de la pompe filtrante et le bloc d'alimentation sont branchés et enclenchés, ils ne peuvent être desserrés qu'à l'aide d'un tournevis.



AMX0078

Mise en service

REMARQUE

L'appareil est détérioré lorsqu'il est utilisé avec un variateur. Il contient des composants électriques fragiles.

► Ne pas raccorder l'appareil à une alimentation en courant avec variateur.

REMARQUE

La pompe ne doit pas fonctionner en marche à sec. Le cas contraire risque de détériorer la pompe.

► Ne faites fonctionner la pompe que lorsqu'elle est immergée.

ⓘ Une pompe neuve atteint son rendement maximal uniquement après quelques heures de service.

Mise en circuit / mise hors circuit

- **Mettre en circuit** : brancher la fiche secteur dans la prise de courant.
 - L'appareil se met immédiatement en marche.
- **Mettre hors circuit** : retirer la fiche secteur de la prise de courant.

Environmental Function Control (EFC)

À sa mise en service, la pompe effectue automatiquement un auto-contrôle préprogrammé (**Environmental Function Control (EFC)**). La pompe reconnaît si elle se trouve en marche à sec / à l'état bloqué ou immergé. En cas de marche à sec / de blocage, la pompe se met automatiquement hors circuit après env. 60 secondes. Lors d'un dérangement, interrompez l'alimentation électrique, « immergez la pompe dans l'eau » ou bien retirez l'obstacle. Vous pouvez ensuite remettre l'appareil en service.

Nettoyage et entretien

⚠ PRUDENCE

Risque de blessure découlant d'un démarrage imprévu. Les fonctions de surveillance internes de l'appareil peuvent l'éteindre puis le rallumer automatiquement.

► Débrancher la prise de secteur avant d'exécuter des travaux sur l'appareil.

REMARQUE

N'utiliser ni produits de nettoyage agressifs ni solutions chimiques. En effet, ces produits peuvent endommager le boîtier, altérer le fonctionnement de l'appareil et nuire aux animaux, aux plantes et à l'environnement.

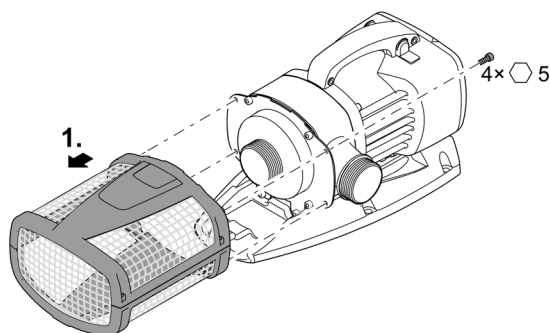
► Nettoyez l'appareil si possible avec de l'eau claire et une brosse douce ou une éponge ; pour éliminer des encrassements tenaces, employez les produits de nettoyage recommandés.

Nettoyage de l'appareil

- ① Nettoyez l'appareil selon les besoins et au moins 2 fois par an.
 - Nettoyer en particulier l'unité de fonctionnement et le corps de pompe.
- Produits de nettoyage recommandés en cas d'entartrages tenaces :
 - Détergents ménagers exempts de vinaigre et de chlore.
- Après le nettoyage, rincer méticuleusement toutes les pièces à l'eau claire.

Démonter/nettoyer la pompe

- Débranchez la fiche de secteur et déconnectez tous les raccords.
- Démontez l'appareil comme indiqué sur l'illustration.



AMX0022

Nettoyage/Remplacement de l'unité de fonctionnement

REMARQUE

L'unité de fonctionnement est guidée dans le bloc moteur par un palier. Ce palier est une pièce d'usure et doit être remplacé en même temps que l'unité de fonctionnement.

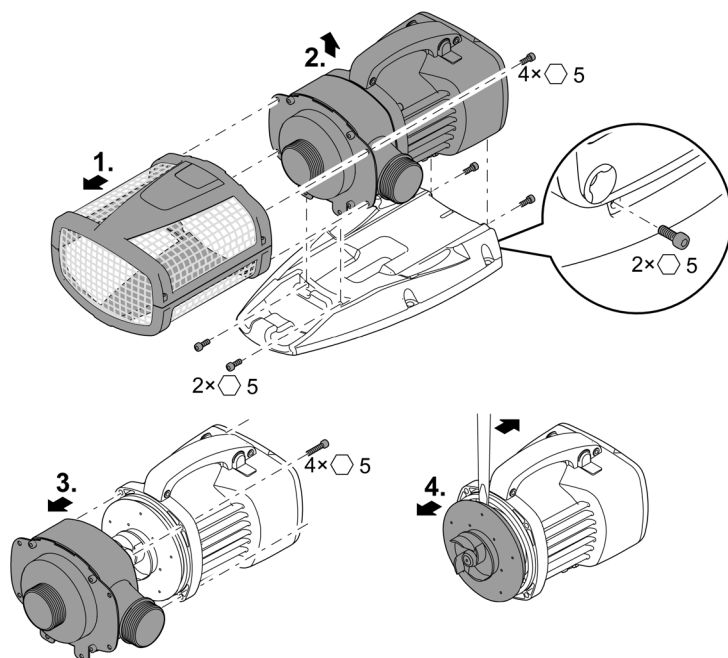
- Le remplacement du palier demande des connaissances et des outils spéciaux. Confier le remplacement du palier au distributeur spécialisé OASE ou envoyer la pompe à OASE.

REMARQUE

L'unité de fonctionnement contient un puissant aimant qui attire les particules magnétiques (p. ex. les copeaux de fer). Les particules qui restent risquent d'être à l'origine de dommages irréparables sur l'unité de fonctionnement et le bloc moteur.

- Avant le montage de l'unité de fonctionnement, éliminer soigneusement toutes traces de particules adhérentes.

- Démontez la pompe de la manière indiquée sur l'illustration.
- Nettoyez les composants à l'eau propre avec une brosse.
- Vérifiez l'absence d'endommagement de toutes les pièces. Remplacez les pièces endommagées ou usées.
- Remontez la pompe dans l'ordre inverse.



AMX0026

Stockage / entreposage pour l'hiver

L'appareil résiste au gel jusqu'à -4 °F (-20 °C). Si vous stockez l'appareil en dehors du bassin, procédez à un nettoyage complet avec une brosse douce et de l'eau, vérifiez qu'il n'est pas endommagé et conservez-le immergé ou rempli d'eau. Ne pas immerger la fiche de secteur dans l'eau !

Dépannage

Dérangement	Cause	Solution
La pompe ne démarre pas	Absence de tension secteur	Vérifier la tension secteur
	Conduites d'alimentations pliées	Poser les conduites d'alimentation sans les plier
	Conduites d'alimentation bouchées	Contrôler/nettoyer les conduites d'alimentation
	Le bloc rotor est bloqué	Éliminer le blocage, vérifier la liberté de mouvement du bloc rotor
La pompe ne refoule pas Débit de pompe insuffisant	Corps de filtre colmaté	Nettoyer les enveloppes filtrantes
	Pertes excessives dans les conduites d'amenée	Raccourcir les tuyaux au minimum nécessaire, enlever les raccords inutiles
	Bloc rotor grippé	Contrôler la liberté de mouvement du bloc rotor
La pompe s'arrête après une courte période de marche	L'eau est très sale	Nettoyer la pompe
	Le bloc rotor est bloqué	Éliminer le blocage, vérifier la liberté de mouvement du bloc rotor
	La pompe a marché à sec	Contrôler/nettoyer les conduites d'alimentation
	Température d'eau excessive	Respecter la température d'eau maximale autorisée. (→ Caractéristiques techniques)

Caractéristiques techniques

AquaMax Eco Expert		5300 / 12 V	7100 / 12 V	
Bloc d'alimentation correspondant		250 VA / 12 V CC		
Tension de raccordement	V DC	12	12	
Consommation max. de courant	A	20	20	
Puissance absorbée	W	30 ... 260	30 ... 260	
Capacité maxi. de refoulement	gph	5100	7100	
	l/h	19300	27000	
Hauteur de refoulement max.	pieds	15,1	15,1	
	m	4,6	4,6	
Indice de protection		IP68	IP68	
Profondeur max. d'immersion	ft	13,1	13,1	
	m	4	4	
Côté aspiration	Filetage	G2	G2½	
	Raccordement au tuyau	pouce	2	2½
		mm	50	63
Côté refoulement	Filetage	G2	G2	
	Raccordement au tuyau	pouce	1½, 2	1½, 2
		mm	38, 50	38, 50
Diamètre des grains maximal des impuretés grossières	pouce	0,43	0,43	
	mm	11	11	
Surface d'entrée du filtre	in ²	164	164	
	cm ²	1060	1060	
Température de l'eau (installation immergée)	En service	(→ Valeurs admissibles de l'eau)		
	Hors service	°F	-4 ... +95	-4 ... +95
		°C	-20 ... +35	-20 ... +35
Température ambiante (installation à sec)	En service et en convection	°F	+39 ... +95	+39 ... +95
		°C	+4 ... +30	+4 ... +30
	En service et refroidissement forcé	°F	+39 ... +104	+39 ... +104
		°C	+4 ... +40	+4 ... +40
Dimensions	Longueur	pouce	19,3	21,3
		mm	490	540
	Largeur	pouce	9,4	9,8
		mm	240	250
	Hauteur	pouce	8,3	8,7
		mm	210	220
Longueur du câble de raccordement	pieds	26,2	26,2	
	m	8	8	
Poids	livres	25,1	31,5	
	kg	11,4	14,3	

Valeurs admissibles de l'eau

Type		Eau douce	Eau de piscine	Eau de mer
pH		6,8 à 8,5	7,2 à 8,3	7,5 à 8,5
Dureté	ppm	0,45 à 0,84	0,45 à 0,84	1,12 à 1,68
	DH	8 à 15	8 à 15	20 à 30
Chlore libre	moz/gal	<0,04	<0,08	<0,04
	mg/l	<0,3	<0,6	<0,3
Teneur en chlore	moz/gal	<33,4	<33,4	<29392
	mg/l	<250	<250	<22000
Teneur en sel	%	<0,4	<0,4	<4
Résidu sec total	moz/gal	<6,67	<6,67	<6,67
	mg/l	<50	<50	<50
Température	°F	+39 à +95	+39 à +86	+39 à +82
	°C	+4 à +35	+4 à +30	+4 à +28

Pièces d'usure

- Unité de fonctionnement
- Palier dans le bloc moteur

Recyclage

REMARQUE

Il est interdit d'éliminer cet appareil avec les déchets ménagers.

- ▶ Mettre l'appareil au rebut par le biais du système de reprise prévu à cet effet.
- ▶ Prenez contact avec votre entreprise locale de traitement des déchets si vous avez des questions. Elle vous fournira les informations relatives à l'élimination réglementaire de l'appareil.
- ▶ Mettez l'appareil hors d'usage en sectionnant les câbles.

Instrucciones originales. Las instrucciones pertenecen al equipo y siempre se tienen que entregar junto con el equipo a la otra persona.

ADVERTENCIA

- ▶ Separe todos los equipos eléctricos que se encuentran en el agua de la red de corriente antes de tocar el agua. De lo contrario existe riesgo de lesiones graves o muerte por choque eléctrico.
 - ▶ Este equipo puede ser utilizado por niños a partir de 8 años y mayores así como por personas con capacidades físicas, sensoriales o mentales reducidas o que no dispongan de la experiencia y los conocimientos necesarios, si se les supervisan o instruyen sobre el uso seguro del equipo y los peligros resultantes. Los niños no deben jugar con el equipo. Está prohibido que los niños ejecuten la limpieza y el mantenimiento sin supervisión.
-

Índice

¿Preguntas, problemas, piezas que faltan?	42
INDICACIONES DE SEGURIDAD IMPORTANTES	42
Conexión eléctrica	42
Funcionamiento seguro.....	42
Uso conforme a lo prescrito	43
Descripción del producto.....	44
Vista sumaria.....	44
Símbolos en el equipo	45
Variantes de instalación	45
Seasonal Flow Control (SFC).....	46
Emplazamiento y conexión	46
Girar la cargasa de la bomba	47
Conexión del control.....	48
Emplazamiento del equipo sumergido	49
Emplazamiento del equipo en seco	50
Conexión de la fuente de alimentación con la bomba	52
Puesta en marcha	53
Conexión / desconexión.....	53
Environmental Function Control (EFC).....	53
Limpieza y mantenimiento.....	54
Limpieza del equipo.....	54
Desmontar / limpiar la bomba	54
Limpieza/ sustitución de la unidad de rodadura	55
Almacenamiento/ conservación durante el invierno.....	56
Eliminación de fallos	56
Datos técnicos.....	57
Valores del agua permisibles	58
Piezas de desgaste.....	58
Desecho.....	58

¿Preguntas, problemas, piezas que faltan?

Antes de devolver el equipo a su distribuidor llámenos al número de teléfono 330-274-8317 de lunes a viernes o envíenos un mensaje electrónico a customerservice@atlantic-oase.com.

INDICACIONES DE SEGURIDAD IMPORTANTES

Conexión eléctrica

- Para la instalación eléctrica en el exterior se aplican prescripciones especiales. Sólo un electricista especializado puede ejecutar la instalación eléctrica.
 - El electricista especializado está cualificado por su formación profesional, conocimientos y experiencias, y facultado para realizar instalaciones eléctricas en el exterior. El electricista especializado puede reconocer posibles peligros y cumple las normas, prescripciones y disposiciones regionales y nacionales.
 - En caso de preguntas y problemas póngase en contacto con un electricista especializado.
- Conecte el equipo sólo cuando los datos eléctricos del equipo coinciden con los datos de la alimentación de corriente.
- Conecte el equipo sólo a un tomacorriente instalado correctamente. El equipo tiene que estar protegido con un dispositivo de protección contra corriente de fuga máxima de 30 mA.
- Las líneas de prolongación y distribuidores de corriente (p. ej. enchufes múltiples) deben ser apropiados para el empleo a la intemperie (protegido contra salpicaduras de agua).
- Proteja los enchufes y conectores abiertos de la humedad.

Funcionamiento seguro

- No emplee el equipo cuando las líneas eléctricas o la caja están dañadas.
- Deseche el equipo si está dañado el cable de conexión de red. El cable de conexión de red no se puede sustituir.
- La unidad de rodadura en el equipo incluye un imán con un fuerte campo magnético que puede influir en marcapasos o desfibriladores implantados (ICD). Mantenga una distancia mínima de 8 in (0,2 m) entre el implante y el imán.
- No transporte ni tire el equipo por la línea eléctrica.
- Tienda las líneas de forma que estén protegidas contra daños y lesiones por tropiezo de personas.
- No realice nunca modificaciones técnicas en el equipo.
- Ejecute en el equipo sólo los trabajos descritos en estas instrucciones.
- Emplee sólo piezas de recambio originales y accesorios originales.
- En caso de problemas póngase en contacto con el servicio al cliente autorizado o con OASE.

ADVERTENCIA

Lesiones graves o la muerte por tensión eléctrica peligrosa son posibles en un equipo eléctrico en el agua que se opera con una tensión $U > 12 \text{ V CA}$ o $U > 30 \text{ V CC}$.

- ▶ Desconecte todos los equipos eléctricos en el agua antes de entrar en ella.
- ▶ Separe el equipo de la red de corriente antes de comenzar los trabajos en el equipo.

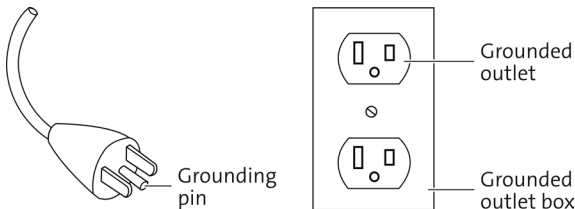
⚠ ADVERTENCIA

En caso de una conexión inadecuada de la puesta a tierra del equipo existe el peligro de una descarga eléctrica.

El equipo tiene que estar puesto a tierra para que en caso de un funcionamiento erróneo o fallo la corriente eléctrica se derive a través de la puesta a tierra y se reduzca el riesgo de una descarga eléctrica.

Instrucciones para la puesta a tierra:

- ▶ El equipo tiene un cable de red con conductores de puesta a tierra y una clavija con perno de tierra. La clavija se tiene que enchufar en un tomacorriente apropiado que esté instalado y puesto a tierra conforme a las prescripciones y reglamentos locales y asegurado mediante un interruptor diferencial (GFCI).
- ▶ Está prohibido modificar la clavija. Encargue a un electricista especializado la instalación de un tomacorriente apropiado si la clavija no encaja en el tomacorriente.
- ▶ Póngase en contacto con un electricista especializado si tiene dudas que el equipo está correctamente puesto a tierra.



Uso conforme a lo prescrito

Emplee el producto descrito en estas instrucciones sólo de la forma siguiente:

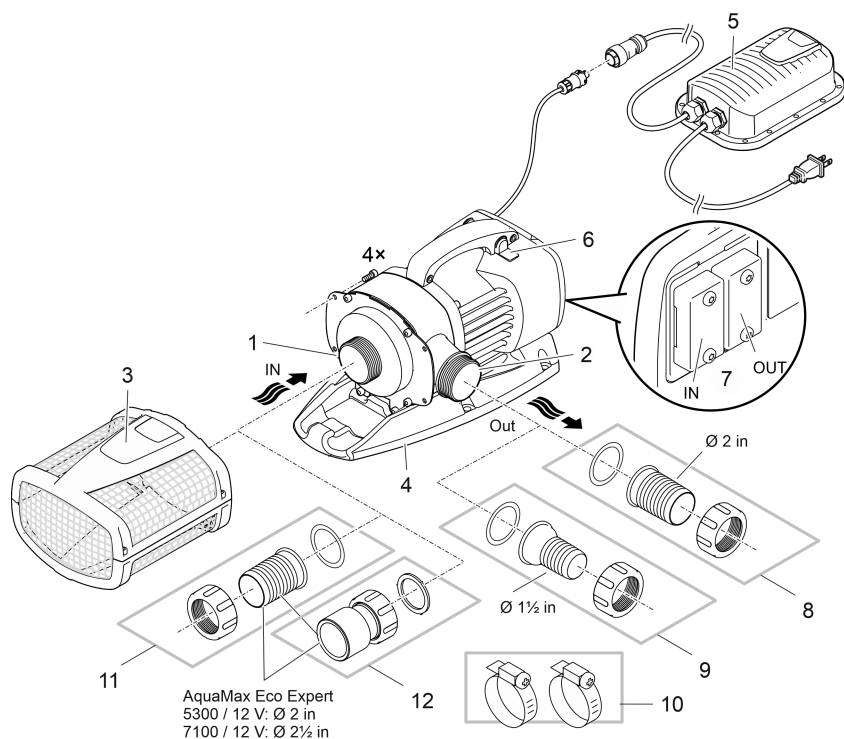
- Para bombear el agua de estanque normal para sistemas de filtros, cascadas y riachuelos.
- Para el empleo en piscinas y estanques para nadar si se cumplen las prescripciones de construcción nacionales.
- Se debe operar sólo con la fuente de alimentación original.
- De acuerdo con los datos técnicos. (→ Datos técnicos)
- De acuerdo con los valores del agua permisibles. (→ Valores del agua permisibles)

Para el equipo son válidas las siguientes limitaciones:

- Está prohibido operar con otros líquidos distintos del agua.
- No opere nunca sin circulación de agua.
- No emplee el equipo en combinación con productos químicos, alimentos y sustancias fácilmente inflamables o explosivos.
- No conectar a la línea de alimentación de agua potable.
- No emplee el equipo para fines industriales.
- Según CEM (compatibilidad electromagnética) se trata de un equipo de la clase A. El equipo puede ocasionar interferencias de radio en entornos residenciales. El usuario tiene que tomar las medidas adecuadas.

Descripción del producto

Vista sumaria



AquaMax Eco Expert
5300 / 12 V: Ø 2 in
7100 / 12 V: Ø 2½ in

AMX0075

- 1 **Entrada (lado de aspiración)**
 - Con cesta del filtro (3) para el emplazamiento sumergido en el agua.
 - Con boquilla para conectar una manguera o tubo para el emplazamiento en seco.

- 2 **Salida (lado de presión)**
 - Conexión de la manguera de retorno al estanque (p. ej. a través de un riachuelo).
 - La salida se puede orientar hacia arriba mediante una reconstrucción.

- 3 **Cesta del filtro**

- 4 **Pie**
 - Con agujeros de montaje para una instalación fija en el suelo si fuera necesario.

- 5 **Fuente de alimentación conmutada con cable de red**
 - Alimentación de corriente de la bomba
 - Consulte más informaciones sobre la fuente de alimentación en las instrucciones de uso separadas.

- 6 **Conectar/ desconectar el Seasonal Flow Control (SFC).**
 - La función SFC optimiza el número de revoluciones de la bomba y con esto el caudal y la altura de bombeo en dependencia de la temperatura del agua.

7	<p>Conexión del control</p> <ul style="list-style-type: none"> • Para la operación de la bomba se requiere el equipo de control OASE Eco Control (accesorios). • Como alternativa se puede integrar la bomba en una red de OASE Control. • Consulte las informaciones sobre el control de OASE en www.atlantic-oase.com.
8	<p>Boquilla de manguera Ø 2 in (50 mm)</p> <ul style="list-style-type: none"> • Para la conexión de la abrazadera de la manguera
9	<p>Boquilla de manguera Ø 1½ in (38 mm)</p> <ul style="list-style-type: none"> • Para la conexión de la abrazadera de la manguera
10	<p>Abrazaderas de manguera</p> <ul style="list-style-type: none"> • Para la fijación de las mangueras en las boquillas de mangueras para la conexión de las abrazaderas de mangueras.
11	<p>Boquilla de manguera Ø 2 in (50 mm) o Ø 2½ in (63 mm)</p> <ul style="list-style-type: none"> • Para la conexión de la abrazadera de la manguera
12	<p>Manguito de tubo Ø 2 in (50 mm) o Ø 2½ in (63 mm)</p> <ul style="list-style-type: none"> • Para la unión adhesiva

Símbolos en el equipo

IP68



El equipo es hermético al polvo y al agua hasta 13,1 ft (4 m).



Posibles peligros para personas con marcapapas.



Opere el equipo sólo con el transformador de seguridad



Proteja el equipo contra la radiación solar directa.

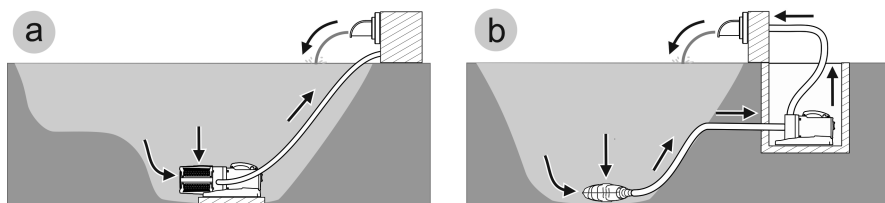


No deseché el equipo en la basura doméstica normal.



Lea las instrucciones de uso.

Variantes de instalación



AMX0157

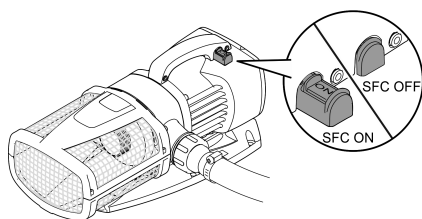
- Variante (a): Emplazamiento de la bomba sumergida en el agua
 - La bomba se posiciona en el estanque o la piscina.
 - Bombeo de agua a través de la cesta del filtro.
- Variante (b): Emplazamiento en seco de la bomba
 - La bomba se emplaza sin la cesta del filtro fuera del estanque o la piscina, pero por debajo de la superficie del agua.
 - Bombeo de agua a través de un filtro satélite o un skimmer.

Seasonal Flow Control (SFC)

Si está conectada la función SFC se pueden ahorrar costes de energía, porque el equipo optimiza automáticamente su número de revoluciones y con esto el caudal y la altura de bombeo en dependencia de la temperatura del agua.

Esto significa también que el equipo se adapta todo el año mediante SFC a la correspondiente ecología del estanque y apoya la biología del estanque gracias a la circulación del agua en dependencia de la temperatura (servicio de invierno, servicio de transición y servicio de verano).

- ❗ SFC no funciona en el emplazamiento en seco. En caso que se emplee un skimmer, filtro satélite o equipo de control InScenio de OASE puede ser recomendable en dependencia de la instalación desconectar la función SFC.



AMX0024

Emplazamiento y conexión

La bomba se puede emplazar sumergida (en el agua) o en seco (fuera del agua).

La bomba sólo se puede emplear si se cumplen los valores del agua indicados. (→ Valores del agua permisibles)

- El agua de piscina o el agua salada pueden mermar la óptica del equipo. Estos menoscabos no están incluidos en la garantía.

⚠ ADVERTENCIA

La fuente de alimentación conduce tensión eléctrica peligrosa y está prohibido emplazarla directamente en el agua. De lo contrario existe riesgo de lesiones graves o muerte por choque eléctrico.

- ▶ Emplace la fuente de alimentación protegida contra inundación a una distancia mínima de 6,6 pies (2 m) al agua.

⚠ CUIDADO

Componentes giratorios en el área de la tubuladura de aspiración y la tubuladura de presión. Son posibles que se produzcan lesiones si se introduce la mano en las tubuladuras.

Tenga especialmente en cuenta: ¡Un equipo parado por sobrecarga puede arrancar inesperadamente!

- ▶ No toque en la abertura de la tubuladura de aspiración o la tubuladura de presión cuando esté conectada la clavija de red.
- ▶ Si las tubuladuras están libremente accesibles durante el funcionamiento, por ejemplo, si no hay mangueras conectadas, asegure las tubuladuras con un protector contra contacto. La protección contra contacto está disponible como accesorio.

INDICACIÓN

Es posible que la unidad de rodadura de la bomba se desgaste más temprano y se tenga que sustituir si la bomba transporta agua con mucho lodo.

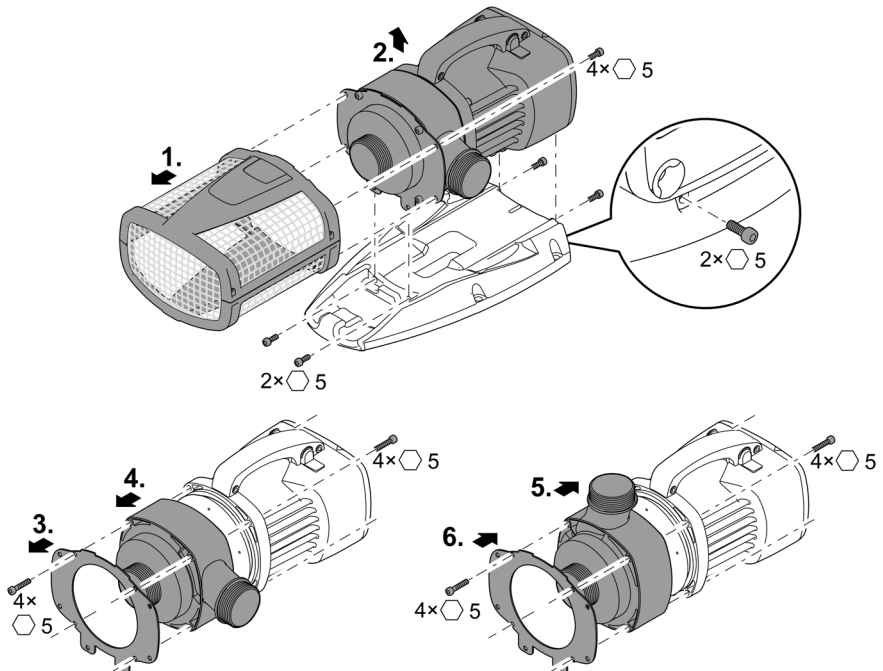
- ▶ Limpie minuciosamente el estanque o la piscina antes de emplazar la bomba.
- ▶ Emplace la bomba elevada sobre el fondo. De esta forma se reduce la aspiración del agua con lodo.

❶ Evite la radiación solar directa de los componentes del equipo no sumergidos, porque se pueden calentar considerablemente. Emplee una cubierta de protección si fuera necesario.

Girar la cargasa de la bomba

La salida de la bomba se puede orientar de la forma siguiente:

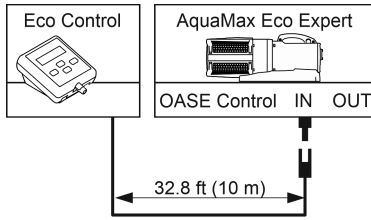
- Horizontal, indicando a la derecha (estándar).
- Vertical, indicando hacia arriba (es necesario una reconstrucción).



AMX0023

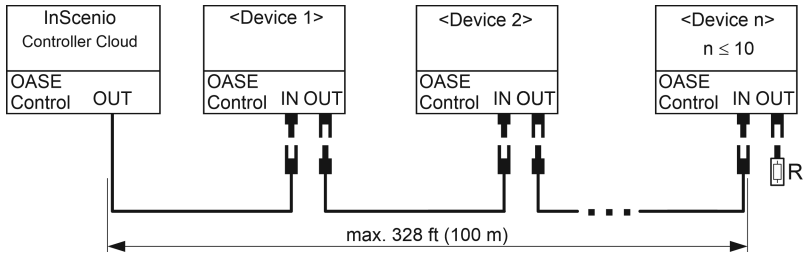
Conexión del control

Para la operación de la bomba se requiere el equipo de control OASE Eco Control (accesorios).



AMX0158

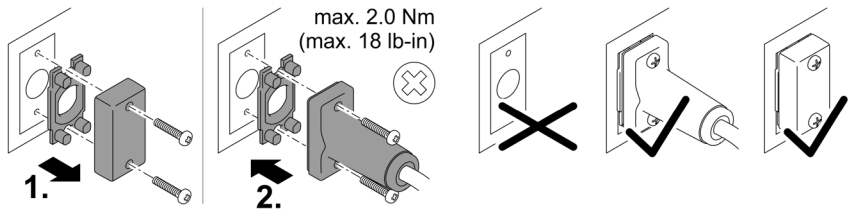
Como alternativa se puede integrar la bomba en una red de OASE Control. Consulte las informaciones al respecto en www.atlantic-oase.com.



EGC0009

❗ Consulte más informaciones en las instrucciones de uso sobre accesorios.

Establecer y soltar la conexión de enchufe de OASE Control



PLX0004

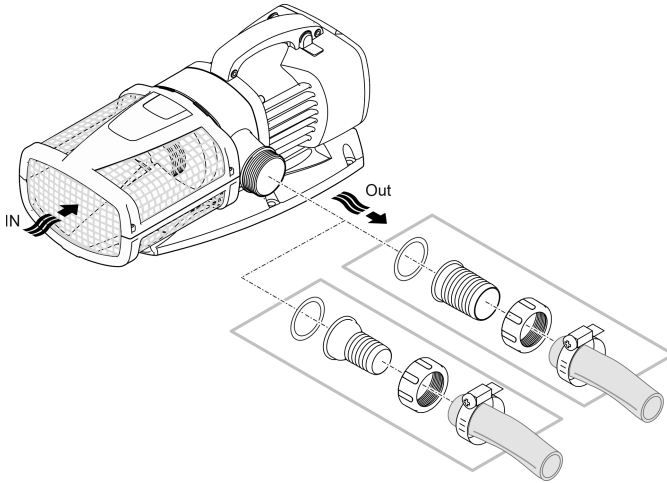
INDICACIÓN

El equipo se daña si entra agua en el conector.

- Conecte el conector o coloque la tapa protectora en el conector.
 - La junta de goma tiene que estar limpia y encajar perfectamente. Una junta de goma dañada se tiene que sustituir.
 - Asegure el conector o la tapa protectora con los dos tornillos.

Emplazamiento del equipo sumergido

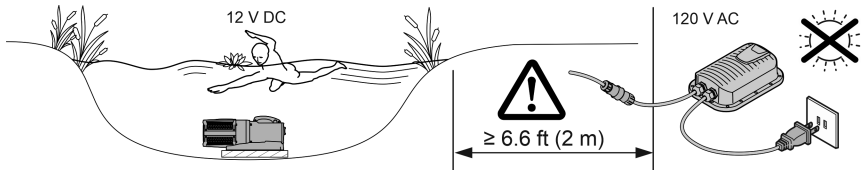
Conexión



AMX0021

¡No enchufe todavía la clavija de red en el tomacorriente!

Emplazamiento



AMX0074

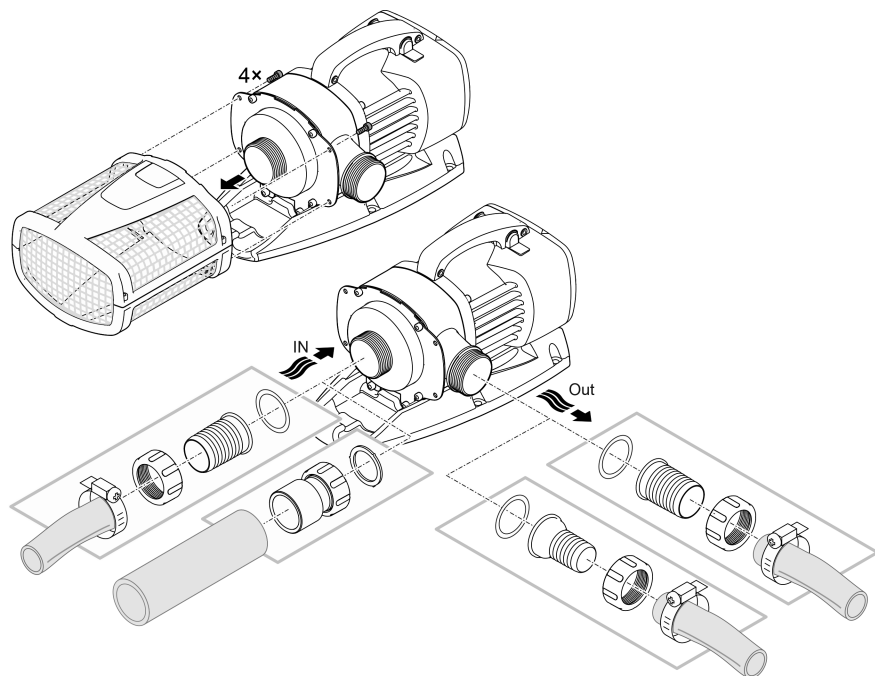
- Coloque la bomba en posición horizontal sobre una base resistente y exenta de lodo.
 - Garantice una posición segura de la bomba.
 - Opere la bomba sólo cuando esté completamente sumergida en el agua.
- ⓘ La bomba se puede sacar fácilmente del agua utilizando una cuerda de tracción.
- Tire la cuerda de tracción por los agujeros redondos en la parte inferior del filtro y anúdela.

Emplazamiento del equipo en seco

Conexión

En la entrada y la salida se pueden conectar mangueras o tubos. Recomendación:

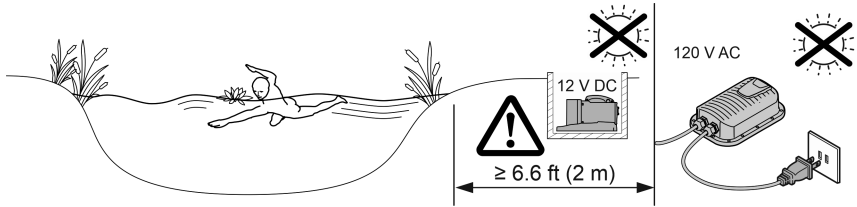
- Hasta una longitud de 5 m: emplear mangueras
- A partir de una longitud de 5 m: emplear tubos.



AMX0025

¡No enchufe todavía la clavija de red en el tomacorriente!

Emplazamiento

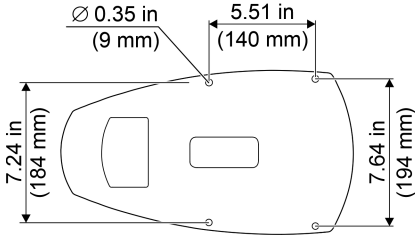


AMX0079

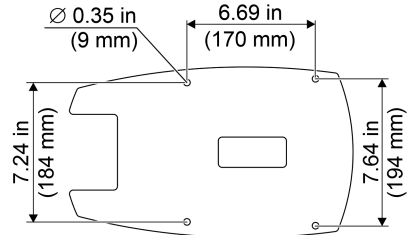
- Coloque la bomba en posición horizontal sobre una base resistente y exenta de lodo.
- Garantice una posición segura de la bomba.

❗ Para un soporte seguro se puede atornillar el equipo con una base adecuada.

AquaMax Eco Expert 5300 / 12 V



AquaMax Eco Expert 7100 / 12 V



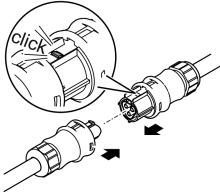
AMX0169

Conexión de la fuente de alimentación con la bomba

INDICACIÓN

La bomba se destruye si entra agua en el conector.

- ▶ No suelte nunca las tuercas racor en los conectores.

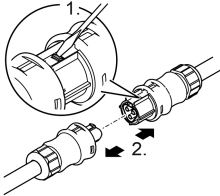


AMX0077

- La nariz en el conector de la bomba tiene que enclavar en el conector de la fuente de alimentación conmutada.

¡No enchufe todavía la clavija de red en el tomacorriente!

Si los conectores de la bomba de filtro y la fuente de alimentación están enchufados y enclavados sólo se pueden soltar con un desatornillador.



AMX0078

Puesta en marcha

INDICACIÓN

El equipo se destruye si se opera con un atenuador de luz. Tiene componentes eléctricos sensibles.

- ▶ No conecte el equipo a una alimentación de corriente con regulación de voltaje.

INDICACIÓN

La bomba no debe marchar en seco. De lo contrario se destruye la bomba.

- ▶ Opere la bomba sólo cuando está sumergida o inundada.

- ⓘ Una bomba recién fabricada alcanza su máximo rendimiento de bombeo sólo después de algunas horas de servicio.

Conexión / desconexión

- **Conexión:** Enchufe la clavija de red en el tomacorriente.
 - El equipo se conecta de inmediato.
- **Desconexión:** Saque la clavija de red del tomacorriente.

Environmental Function Control (EFC)

A la puesta en marcha, la bomba realiza automáticamente una autopruueba preprogramada (**Environmental Function Control (EFC)**). La bomba reconoce si marcha en seco, está bloqueada o está sumergida. En el caso de una marcha en seco o bloqueo, la bomba se desconecta automáticamente después de aprox. 60 segundos. En caso de fallo interrumpe la alimentación de corriente e “inunde la bomba” o elimine el obstáculo. Después se puede arrancar de nuevo el equipo.

Limpieza y mantenimiento

⚠ CUIDADO

Peligro de lesión por un arranque imprevisible. Las funciones de supervisión internas del equipo pueden desconectar el equipo y conectarlo de nuevo automáticamente.

- ▶ Saque la clavija de la red antes de trabajar en el equipo.

INDICACIÓN

No emplee productos de limpieza agresivos ni soluciones químicas. Estos productos pueden dañar la carcasa, mermar el funcionamiento del equipo y dañar a los animales, las plantas y el medio ambiente.

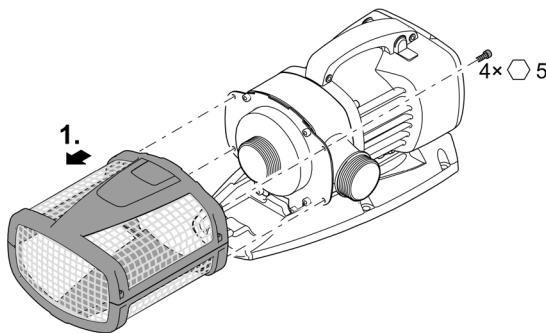
- ▶ Si fuera posible, limpie el equipo con agua limpia y un cepillo suave o una esponja; si la suciedad es muy persistente emplee los productos de limpieza recomendados.

Limpieza del equipo

- ① Limpie el equipo según sea necesario, pero como mínimo 2 veces al año.
 - Limpie en la bomba especialmente la unidad de rodadura y la carcasa de la bomba.
- Productos de limpieza recomendados en caso de calcificaciones persistentes:
 - Productos de limpieza domésticos sin vinagre y cloro.
- Después de la limpieza enjuague minuciosamente todas las piezas con agua clara.

Desmontar / limpiar la bomba

- Saque la clavija de red y quite todas las conexiones.
- Desmonte el equipo como se muestra en la ilustración.



AMX0022

Limpeza/ sustitución de la unidad de rodadura

INDICACIÓN

La unidad de rodadura se guía en el bloque del motor por un cojinete. Este cojinete es una pieza de desgaste y se debe sustituir simultáneamente con la unidad de rodadura.

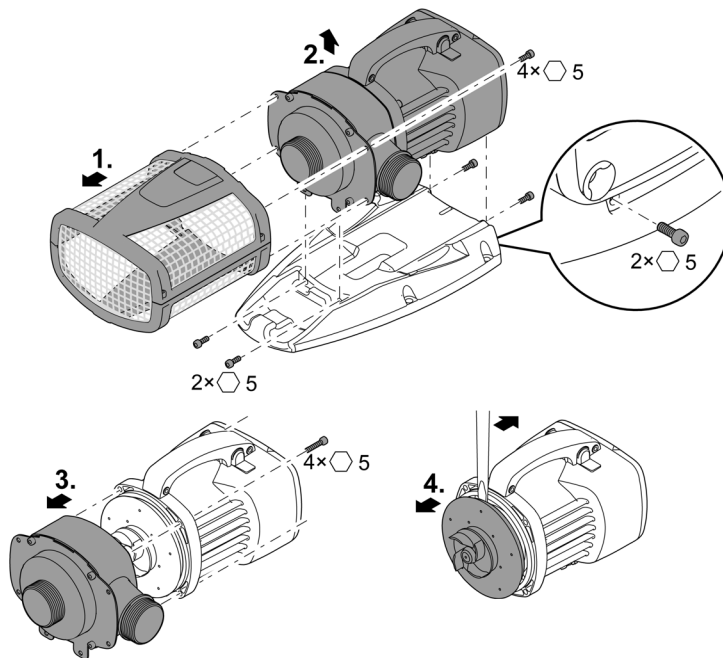
- La sustitución del cojinete requiere conocimientos especiales y herramientas. Encargue la sustitución del cojinete a su comerciante de OASE o envíe la bomba a OASE.

INDICACIÓN

La unidad de rodadura incluye un imán fuerte que atrae las partículas magnéticas (p. ej. virutas de hierro). Las partículas que se quedan adheridas pueden producir daños irreparables en la unidad de rodadura y el bloque del motor.

- Elimine minuciosamente las partículas adheridas antes del montaje de la unidad de rodadura.

- Desmonte la bomba como se muestra en la ilustración.
- Limpie los componentes con un cepillo y agua limpia.
- Compruebe si las piezas están dañadas. Renueve las piezas dañadas o desgastadas.
- Monte la bomba en secuencia contraria.



AMX0026

Almacenamiento/ conservación durante el invierno

El equipo está protegido contra heladas hasta -4°F (-20°C). Si el equipo se guarda fuera del estanque límpielo minuciosamente con un cepillo suave y agua, compruebe si presenta daños y almacénelo bajo agua o lleno de agua. No sumerja la clavija de red en el agua.

Eliminación de fallos

Fallo	Causa	Acción correctora
La bomba no arranca	No hay tensión de alimentación	Compruebe la tensión de alimentación.
	Líneas de alimentación dobladas	Tienda las líneas de alimentación sin dobleces
	Líneas de alimentación obstruidas	Controle/ limpie las líneas de alimentación
	La unidad de rodadura está bloqueada	Elimine el bloqueo, compruebe la suavidad de marcha de la unidad de rodadura
La bomba no transporta. Caudal insuficiente	La carcasa del filtro está obstruida	Limpie las partes de filtro
	Pérdidas excesivas en las líneas de alimentación	Reduzca la longitud de las mangueras al mínimo necesario y evite piezas de conexión innecesarias.
	La unidad de rodadura marcha con dificultad	Compruebe la suavidad de marcha de la unidad de rodadura
La bomba se desconecta después de un corto tiempo de funcionamiento	Agua muy sucia	Limpie la bomba
	La unidad de rodadura está bloqueada	Elimine el bloqueo, compruebe la suavidad de marcha de la unidad de rodadura
	La bomba marchó en seco.	Controle/ limpie las líneas de alimentación
	Temperatura del agua muy alta	Cumpla la temperatura del agua máxima permisible. (→ Datos técnicos)

Datos técnicos

AquaMax Eco Expert		5300 / 12 V	7100 / 12 V	
Fuente de alimentación perteneciente		250 VA / 12 V CC		
Tensión de conexión	V CC	12	12	
Consumo de corriente máximo	A	20	20	
Consumo de potencia	W	30 ... 260	30 ... 260	
Capacidad de bombeo máx.	gph	5100	7100	
	l/h	19300	27000	
Altura de bombeo máx.	ft	15,1	15,1	
	m	4,6	4,6	
Categoría de protección		IP68	IP68	
Profundidad de inmersión máxima	ft	13,1	13,1	
	m	4	4	
Lado de aspiración	Rosca	G2	G2½	
	Conexión manguera	in	2	2½
		mm	50	63
Lado de presión	Rosca	G2	G2	
	Conexión manguera	in	1½, 2	1½, 2
		mm	38, 50	38, 50
Tamaño de grano máximo, suciedad gruesa	in	0,43	0,43	
	mm	11	11	
Superficie de entrada del filtro	in ²	164	164	
	cm ²	1060	1060	
Temperatura del agua (emplazamiento sumergido)	Durante el funcionamiento	(→ Valores del agua permisibles)		
	Fuera de servicio	°F	-4 ... +95	-4 ... +95
		°C	-20 ... +35	-20 ... +35
Temperatura ambiente (emplazamiento en seco)	Durante el funcionamiento y convección	°F	+39 ... +95	+39 ... +95
		°C	+4 ... +30	+4 ... +30
	Durante el funcionamiento y refrigeración forzada	°F	+39 ... +104	+39 ... +104
		°C	+4 ... +40	+4 ... +40
Dimensiones	Longitud	in	19,3	21,3
		mm	490	540
	Anchura	in	9,4	9,8
		mm	240	250
	Altura	in	8,3	8,7
		mm	210	220
Longitud del cable de conexión	ft	26,2	26,2	
	m	8	8	
Peso	lbs	25,1	31,5	
	kg	11,4	14,3	

Valores del agua permisibles

Tipo		Agua fresca	Agua de piscina	Agua salada
Valor pH		6,8 ... 8,5	7,2 ... 8,3	7,5 ... 8,5
Dureza	ppm	0,45 ... 0,84	0,45 ... 0,84	1,12 ... 1,68
	DH	8 ... 15	8 ... 15	20 ... 30
Cloro libre	moz/gal	<0,04	<0,08	<0,04
	mg/l	<0,3	<0,6	<0,3
Contenido de cloruro	moz/gal	<33,4	<33,4	<29392
	mg/l	<250	<250	<22000
Contenido de sal	%	<0,4	<0,4	<4
Residuo seco total	moz/gal	<6,67	<6,67	<6,67
	mg/l	<50	<50	<50
Temperatura	°F	+39 ... +95	+39 ... +86	+39 ... +82
	°C	+4 ... +35	+4 ... +30	+4 ... +28

Piezas de desgaste

- Unidad de rodadura
- Cojinete en el bloque del motor

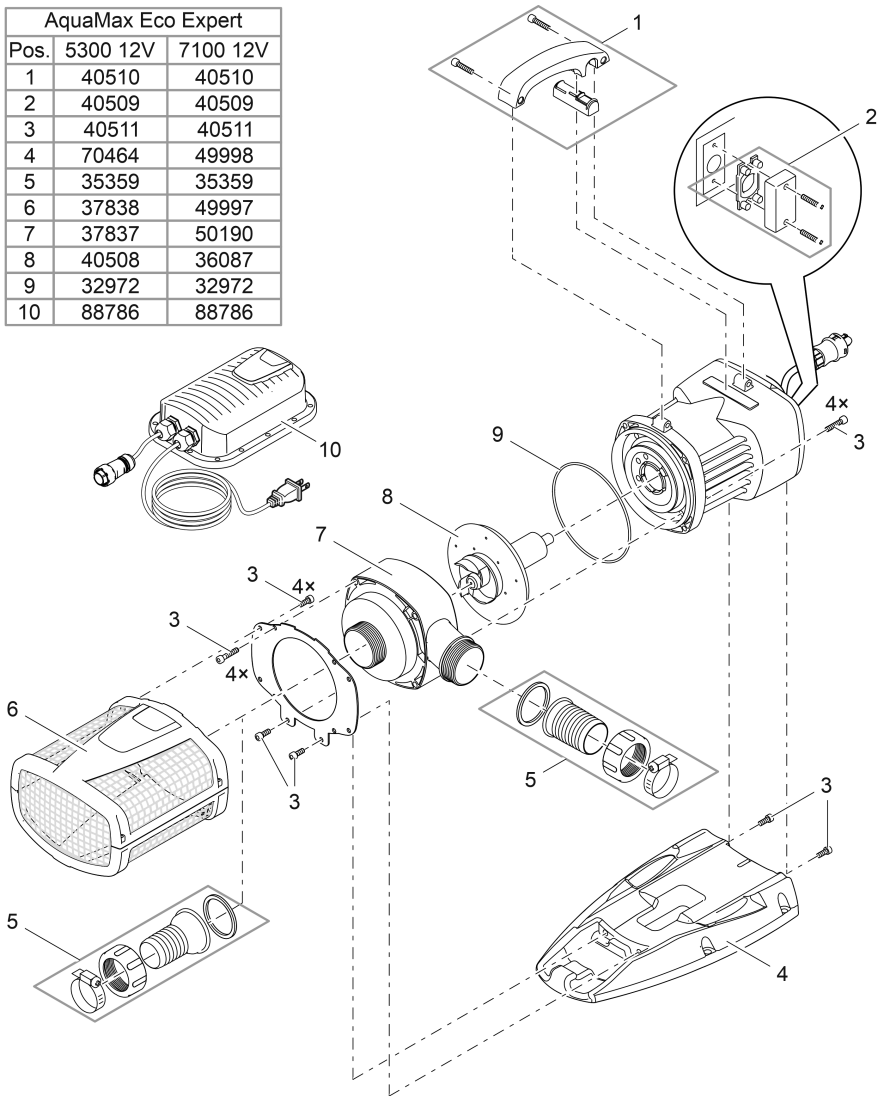
Desecho

INDICACIÓN

Está prohibido desechar este equipo en la basura doméstica.

- ▶ Deseche el equipo a través del sistema de recogida previsto.
- ▶ Si tiene alguna pregunta, póngase en contacto con su empresa local de eliminación de desechos. Allí recibe las informaciones sobre el desecho adecuado del equipo.
- ▶ Corte los cables para inutilizar el equipo.

AquaMax Eco Expert		
Pos.	5300 12V	7100 12V
1	40510	40510
2	40509	40509
3	40511	40511
4	70464	49998
5	35359	35359
6	37838	49997
7	37837	50190
8	40508	36087
9	32972	32972
10	88786	88786



AMX0168

OASE North America Inc.

© 330-274-8317

www.atlantic-oase.com