



## Filtral UVC

400, 800, 1600

Operating instructions

Notice d'emploi

Instrucciones de uso

English

Français

Español

# IMPORTANT SAFETY INSTRUCTIONS

- READ ALL INSTRUCTIONS BEFORE USING (THIS UNIT).
- SAVE THESE INSTRUCTIONS.
- Only connect the unit if the electrical data of the unit and the power supply match.
- Do not use the unit as a toy. Close attention is necessary when the product is used by or near children.
- Do not use the unit, if electrical lines or the housing are damaged.
- A damaged connection cable cannot be replaced. Dispose of the unit.
- Do not carry or pull the unit by its power cable.
- Route lines in such a way that they are protected from damage and do not present a tripping hazard.
- Protect the plug connections from moisture.
- Do not handle plug with wet hands.
- Grasp the plug to unplug it. Do not grasp on the cable.
- Never carry out technical changes to the unit.
- Only carry out work on the unit that is described in this manual.
- Always unplug the unit before working on it.
- Only use original spare parts and accessories.
- Should problems occur, please contact the authorised customer service or OASE.

## Contents

IMPORTANT SAFETY INSTRUCTIONS.....	2
Product Description .....	4
Intended use.....	5
Assembly.....	6
Installation .....	7
Commissioning/start-up.....	9
Maintenance and cleaning .....	10
Storage/winter protection.....	14
Malfunction remedy.....	15
Technical data.....	16
Wear parts.....	18
Disposal.....	18

**⚠ WARNING**

Serious injury or death due to dangerous electrical voltage is possible with an electrical device in water operated with a voltage  $U > 12 \text{ V AC}$  or  $U > 30 \text{ V DC}$ .

- ▶ Disconnect the unit from the mains before reaching into the water.
- ▶ Disconnect the unit from the mains before you start working on it.

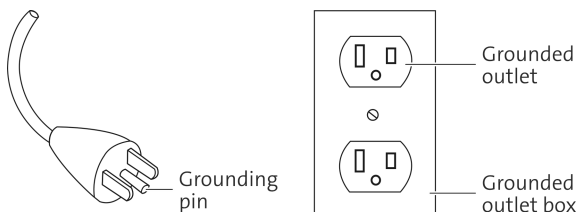
**⚠ WARNING**

There is a risk of electric shock if the unit's grounding conductor is not connected properly.

The unit must be grounded to ensure that in the event of a malfunction or breakdown, the electric current is discharged through the grounding and the risk of electric shock is reduced.

**Grounding instructions:**

- ▶ The unit is equipped with a power cord with a grounding conductor and a plug with a grounding pin. The plug must be plugged into a appropriate outlet that is installed and grounded in accordance with local codes and ordinances and is protected by a ground circuit interrupter (GFCI).
- ▶ Do not modify the plug. If the plug does not fit into the outlet, consult a qualified electrician for installation of a proper outlet.
- ▶ Check with a qualified electrician if you are in doubt as to whether the unit is properly grounded.

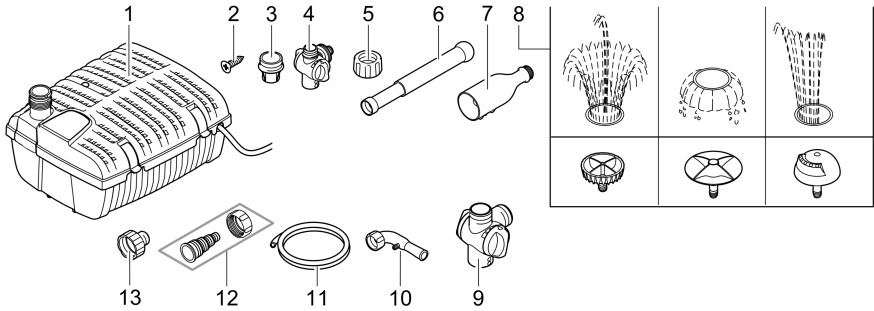
**⚠ CAUTION**

The quartz glass and UVC lamp could break and result in cuts.

- ▶ Carry out all work on the UVC clarifier carefully to avoid cutting injuries.
- ▶ Avoid vibrations, impacts and hectic movements to prevent the breaking of glass.

# Product Description

## Overview



FTL0025

	Filtral UVC 400	Filtral UVC 800, 1600	Description
1	●	●	Underwater filter
2	●	●	2 × screws • For hanging the underwater filter to a side of the pond.
3	●	–	Connection fitting for ball joint
4	●	–	Branch valve with flow-rate regulators • Possible connection for water course/water feature, ½ in.
5	●	●	Union nut • For securing the upright position of the nozzle pipe.
6	●	●	Nozzle pipe
7	●	●	Nozzle connection with hose bracket
8	●	●	Nozzle inserts (Vulkan, Lava, Magma) • Creates different water features.
9	–	●	Branch valve with flow-rate regulators • Possible connection for Venturi nozzle or watercourse/water feature, 1 in.
10	–	●	Venturi nozzle for pond aeration.
11	–	●	Hose • Sucks air into the Venturi nozzle.
12	–	●	Stepped hose adapter with union nut
13	–	●	Reduction element • Spacer ring for use with the Venturi nozzle or the second output on the branch valve.

## Symbols on the unit

**IP68** 

The unit is dust-tight and water-tight down to 6.6 ft (2 m).



Dangerous UVC radiation



Remove the unit in the event of freezing temperatures.



Danger for persons with pacemakers. The unit contains a strong magnet.



Fragile, handle with care. Danger of cut injuries.



Do not dispose of the unit with the normal household waste.



Read the operating instructions.

## Intended use

Only use the product described in this manual as follows:

- For cleaning garden ponds.
- For operation with clean water.
- For household use only.
- Operate in accordance with instructions. (→Technical data)

The following restrictions apply to the unit:

- Do not use in swimming ponds.
- The UVC clarifier installed in the device kills algae and bacteria in the pond water. The UVC lamp may never be used for any other purpose or outside of the housing.
- Never use the unit with fluids other than water.
- Never run the unit without water.
- Do not use for commercial or industrial purposes.
- Do not use in conjunction with chemicals, foodstuff, easily flammable or explosive substances.

# Assembly

## Operation with water feature

For operation with water feature, the device must be set up horizontally.  
(→Installation)

- At the side outlet of the branch valve you can additionally connect the hose of a stream/water feature.
- Tighten the screw connections hand-tight.

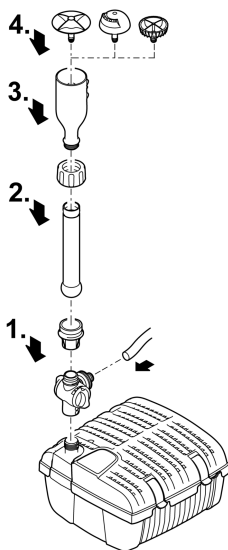
Filtral UVC 400:

- Instead of a water feature, you can operate the device with a Venturi nozzle (optionally available, 70364).

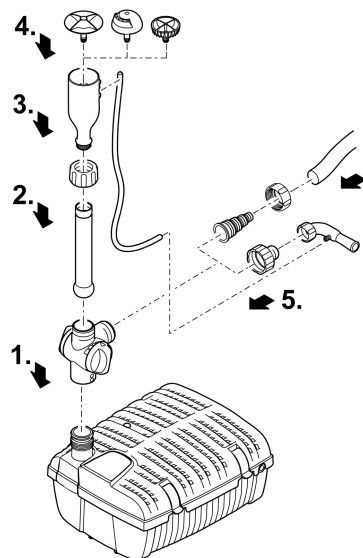
Filtral UVC 800, 1600:

- If you use the Venturi nozzle, guide the air hose along the nozzle tube and fix it in the holder on the nozzle holder.
  - The air hose must be able to suck in air, water must not penetrate.

Filtral UVC 400



Filtral UVC 800, 1600



FTL0026

FTL0034

## Operation without water feature

For operation without water feature you can place or hang up the device horizontally. (→Installation)

- Tighten screw connections hand-tight.

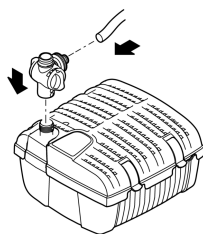
Filtral UVC 400:

- Connect the hose of a watercourse/water spout to the side outlet of the branch valve. The other outlet either remains free or you connect a Venturi nozzle (optionally available, 70364) using a reduction element (1 in on ½ in).

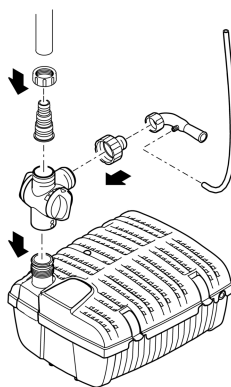
Filtral UVC 800, 1600:

- Connect the Venturi nozzle to the side outlet of the branch valve. At the other outlet connect the hose of a watercourse/water spout using the stepped hose adapter.

Filtral UVC 400



Filtral UVC 800, 1600



FTL0038

FTL0035

## Installation

### ⚠ WARNING

Severe injuries or death due to operation of this unit in a swimming pond. Defective electrical components will electrify the water with dangerous electrical voltage.

- ▶ Never operate the unit in a swimming pond.

### ⚠ WARNING

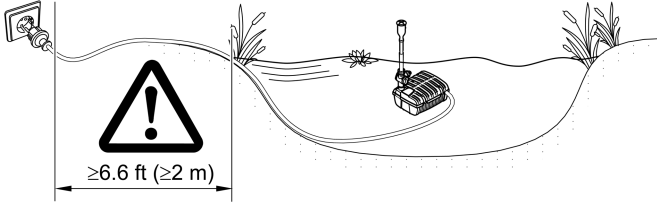
The unit is subject to dangerous voltage and must not be installed directly adjacent to the water. Otherwise there is a risk of severe injuries or death by electrocution.

- ▶ Install the unit at a distance of at least 2 m from the water to ensure that it is protected against flooding.

## Set up the device horizontally

Observe the following conditions:

- Make sure that the mains connection is at least 6.6 ft (2 m) from the pond.
- Place the device so that the filter housing is always below the water level.
- Place the device horizontally on a firm, mud-free surface.
- Position the device so that the nozzle insert is above the water level.

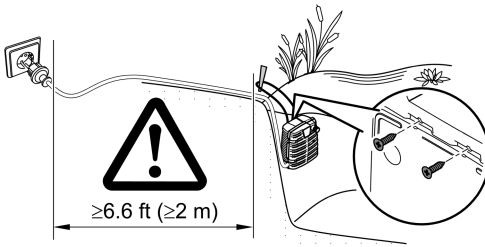


FTL0059

## Hang up the device

Observe the following conditions:

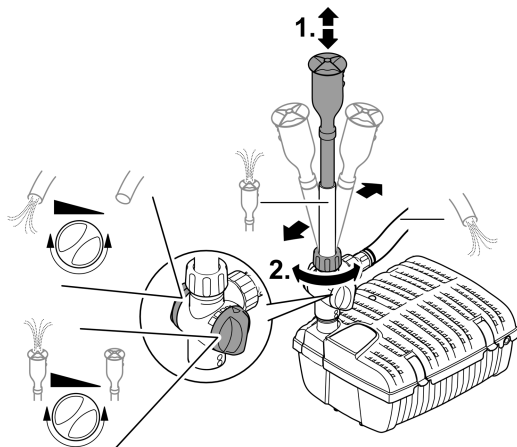
- Make sure that the mains connection is at least 6.6 ft (2 m) from the pond.
- Place the device so that the filter housing is always below the water level.
- Only operate the device without water feature.
- Screw the two screws into the filter base and hang the device on the two screws with a cord. Fasten the cord on the side of the pond.



FTL0060



## Set-up fountain/feature



FTL0027

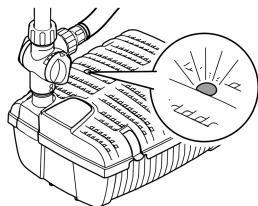
## Commissioning/start-up

### NOTE

Never connect the pump to a dimmer. Otherwise the pump will be destroyed.

- **Switching on:** Plug the power plug into the outlet.  
– The unit switches on immediately.
- **Switching off:** Pull the power plug from the outlet.

The viewing window shows that the UVC lamp in the device is working.



FTL0029

# Maintenance and cleaning

## NOTE

Never use chemical cleaning agents. These are hazardous to animals, plants and the environment.

- ▶ Only use clear water and a soft brush to clean the unit.

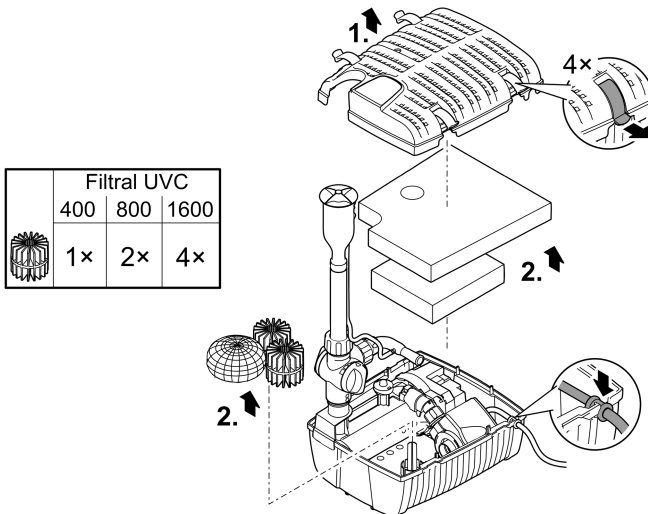
Recommendation regarding cleaning:

- ▶ Clean the unit as required, but at least twice a year.
- ▶ Keep the device straight when removing it from the pond. The bottom section of the filter may contain dirt.
- ▶ When cleaning the pump, pay particular attention to the impeller unit and the pump housing.
- ▶ Clean the inspection window with cotton swabs.

## Opening/closing the housing

To clean and maintain the filter media, filter pump and UVC clarifier, you must open the device.

Before closing the housing, place the power cable in the recess in the housing to prevent it from being crushed.



FTL0061

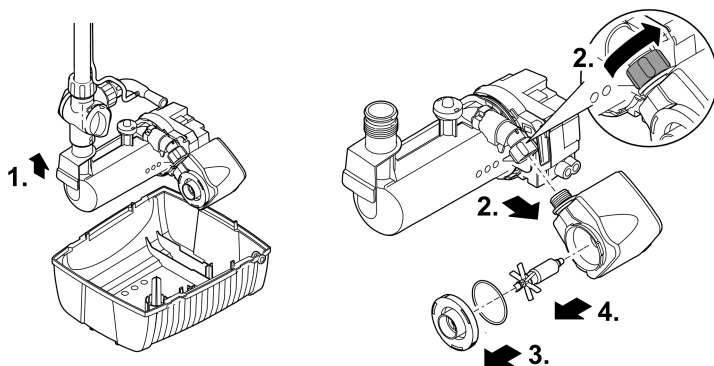
## Clean filter media

How to proceed:

1. Carefully clean the removed filter media using clean tap water.
2. Also clean the upper filter shell and the filter subshell carefully with clean tap water.
3. Reassemble the unit in the reverse order.

## Cleaning/replacing the impeller unit

- Remove the pump cover or pump housing from the motor housing by turning it counter-clockwise (bayonet catch).
- After removing the impeller unit, clean all parts under running tap water.
- Replace a worn or damaged impeller unit.
- Assemble in the reverse order.



FTL0031

## Clean UVC clarifier

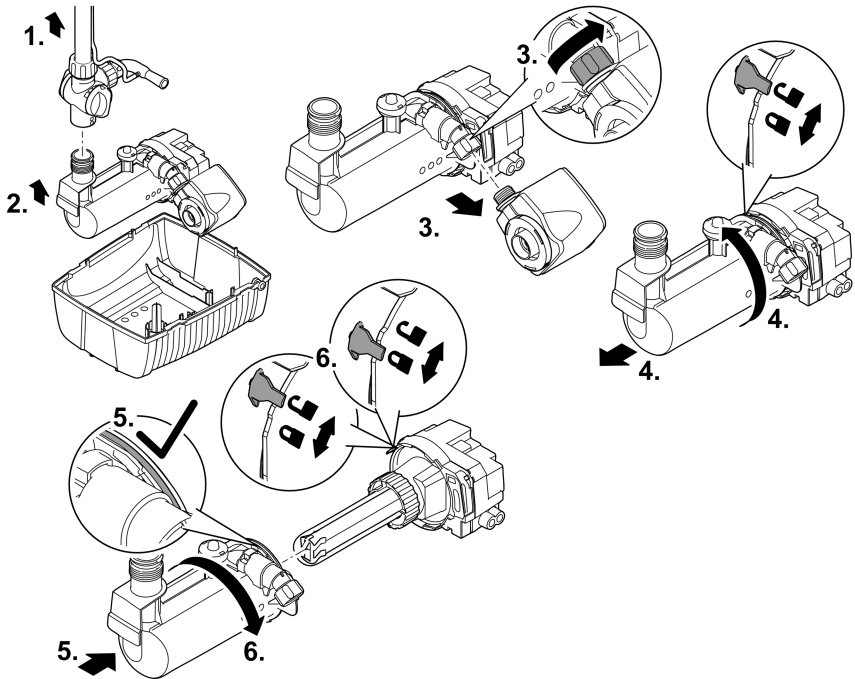
### **⚠ CAUTION**

The quartz glass and UVC lamp could break and result in cuts.

- ▶ Carry out all work on the UVC clarifier carefully to avoid cutting injuries.
- ▶ Avoid vibrations, impacts and hectic movements to prevent the breaking of glass.

① For safety reasons, the UVC lamp can only be turned on when the UVC clarifier is properly installed into the device.

- Check the quartz glass for visible damage. Replace a damaged quartz glass.
- Clean the outside of the quartz glass with a damp cloth, clean the water housing with clear water and a brush.
- Check that the large O-ring is correctly inserted in the water housing. This ensures that the water housing is watertight.
- When installing, turn the device head clockwise until the marking points to the locked lock.



FTL0032

## Exchange the UVC lamp

### CAUTION

The ultra-violet radiation of the UVC lamp can burn your eyes and skin.

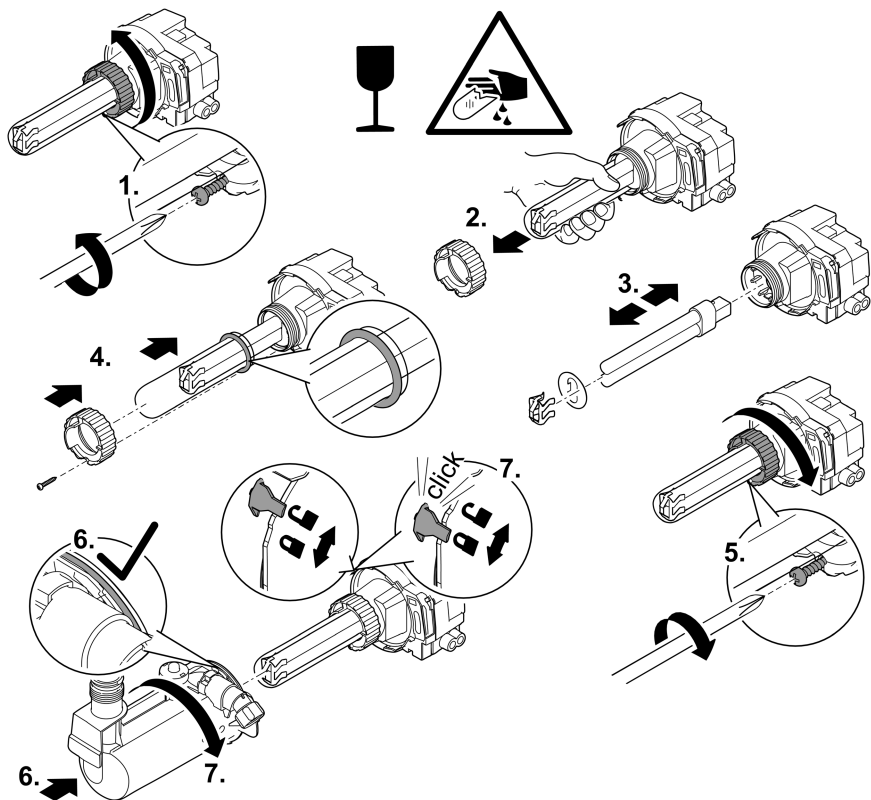
- ▶ Never operate the UVC lamp outside its housing.
- ▶ Disconnect the unit from the mains before starting maintenance or before replacing the UVC lamp.

### CAUTION

The quartz glass and UVC lamp could break and result in cuts.

- ▶ Carry out all work on the UVC clarifier carefully to avoid cutting injuries.
- ▶ Avoid vibrations, impacts and hectic movements to prevent the breaking of glass.

- ① For safety reasons, the UVC lamp can only be turned on when the UVC clarifier is properly installed into the device.
- ① For optimum filter performance, replace the UVC lamp after approx. 8000 operating hours.
- Only use UVC lamps that correspond with the technical data of the device. (→Technical data)
- Make sure that the O-ring on the quartz glass is positioned between the union nut and the thread on the UVC clarifier so that the quartz glass is watertight.
- Tighten the union nut clockwise until it stops and fix the union nut with the locking screw.
- Check that the large O-ring is correctly inserted in the water housing. This ensures that the water housing is watertight.
- During installation, rotate the device head clockwise until the marking points to the locked lock.



FTL0037

## Storage/winter protection

The unit is not frost-proof and has to be removed and put into storage if minus temperatures are expected.

How to correctly store the unit:

- Thoroughly clean the unit, check it for damage and replace any damaged parts.
- Store the pump submerged and in a frost-free environment.
- Protect electrical connections from moisture and dirt.

## Malfunction remedy

Malfunction	Possible cause	Remedy
Unit is not operating	No mains voltage	Check the mains voltage.
	Water housing is open (safety switch in water housing automatically switches off the pump)	Turn the head of the unit clockwise until the mark points toward the locked lock
Delivery or fountain height insufficient or not consistent, Cloudy water	Nozzle blocked	Unscrew and clean the nozzle insert
	The loss of pressure on the pipe to the watercourse/water feature is too high	Reduce hose length and connecting parts to a minimum, route hoses as straight as possible
	Intake openings blocked	Clean housing
	Filter media clogged	Clean filter media
	Impeller unit blocked	Clean the running unit
	Pond extremely dirty	Remove algae and leaves from the pond, change the water
	Quartz glass tube soiled	Clean the quartz glass tube
	Flow regulator excessively throttled	Set flow regulator
The UVC lamp is not lit	The UVC lamp overheats. The temperature monitor turned off the UVC lamp	After cooling down, the UVC lamp switches on again automatically
	The UVC lamp is defective	Replace the UVC lamp.
	The UVC lamp is not inserted into the socket properly	Insert the UVC lamp correctly into the socket
Unit switches off after a short running period	Water temperature too high	Observe the maximum water temperature of +77 °F (+35 °C)

## Technical data

### Unit data

Filtral		400	800	1600	
Rated voltage	V AC	120	120	120	
Rated frequency	Hz	60	60	60	
Power consumption	W	20	22	50	
Performance of UVC lamp TC-S	W	5	9	13	
Hose connection for branch valve	in	½	–	–	
	mm	13	–	–	
	Stepped hose adapter	in	–	½, ¾, 1	½, ¾, 1
	mm	–	13, 19, 25	13, 19, 25	
Max. conveying performance	gph	195	235	410	
	l/h	740	900	1560	
Max. water column	m	1,3	1.3	1.9	
Filter surface	cm <sup>2</sup>	301	440	697	
Filter foam (blue)	Quantity	1	1	1	
	Pore size	ppi	10	10	10
Filter foam (red)	Quantity	1	1	1	
	Pore size	ppi	30	30	30
Number of bio surface elements		1	2	4	
Number of bags of filter ceramic		1	1	1	
Pond size (without fish)	gal	400	800	1600	
	m <sup>3</sup>	1500	3000	6000	
Pond size (with fish)	gal	200	400	800	
	m <sup>3</sup>	750	1500	3000	
Dimensions	Length	in	8.15	10.6	13,7
		mm	207	269	347
	Width	in	9.0	9.6	10,9
		mm	228	245	276
	Height	in	5.1	5.5	6,2
		mm	130	140	157
Weight	kg	2,7	3.4	4.9	
Length of the connection cable	ft	15	15	15	
	m	4,5	4,5	4,5	



## Venturi nozzle

Filtral			400	800	1600
Air conveying performance of the Venturi nozzle with a 1.5 m hose with a sub-merged depth of	0.1 m	l/h	80 <sup>1)</sup>	83	244
	0.2 m	l/h	35 <sup>1)</sup>	70	184
	0.3 m	l/h	32 <sup>1)</sup>	34	176
	0.4 m	l/h	–	29	140
	0.6 m	l/h	–	–	136
	0.8 m	l/h	–	–	113
	1.0 m	l/h	–	–	95
Max. immersion depth for Venturi nozzle and water feature with 1.5 m air hose	m		–	0.3	0.4

<sup>1)</sup> With optionally available Venturi nozzle

## Permissible water values

		Fresh water, pond water
pH value		6.8 ... 8.5
Hardness	ppm	0.45 ... 0.48
	°dH	8 ... 15
Free chlorine	moz/gal	<0.04
	mg/l	<0.3
Chloride content	moz/gal	<33.4
	mg/l	<250
Salt content	%	<0.4
Overall dry residue	moz/gal	<6.67
	mg/l	<50
Temperature	°F	+39 ... +77
	°C	+4 ... +35

## Wear parts

- Filter media
- Impeller unit
- UVC lamp, quartz glass and O ring for quartz glass

## Disposal

### NOTE

Do not dispose of this unit with household waste.

- ▶ Dispose of the unit by using the return system provided for this purpose.
  - ▶ Render the unit unusable by cutting the cables.
-

## CONSIGNES DE SÉCURITÉ IMPORTANTES

- AVANT UTILISATION (DE CET APPAREIL), LIRE TOUTES LES INSTRUCTIONS.
- CONSERVER CETTE NOTICE D'EMPLOI.
- Ne brancher l'appareil que lorsque les caractéristiques électriques de l'appareil et de l'alimentation correspondent.
- Cet appareil n'est pas un jouet. La plus grande prudence est de mise si l'appareil est utilisé par des enfants ou à proximité d'enfants.
- Ne pas utiliser l'appareil en cas d'endommagement des câbles électriques ou du boîtier.
- Un câble de raccordement endommagé ne peut pas être remplacé. Mettre l'appareil au rebut.
- Ne pas soulever ni tirer l'appareil par le câble électrique.
- Poser les câbles de manière à éviter tout risque d'endommagement et de trébuchement.
- Protéger les fiches de raccordement de l'humidité.
- Ne pas toucher le connecteur avec des mains humides.
- Pour débrancher l'appareil, saisir le connecteur. Ne pas tirer sur le câble.
- Ne jamais procéder à des modifications techniques sur l'appareil.
- Exécuter des travaux sur l'appareil uniquement si ces derniers sont décrits dans la notice d'emploi.
- Toujours débrancher la fiche secteur avant de travailler sur l'appareil.
- N'utiliser que des pièces de rechange et des accessoires d'origine.
- En cas de problèmes, adressez-vous au service après-vente autorisé ou contactez OASE.

## Contenu

CONSIGNES DE SÉCURITÉ IMPORTANTES .....	19
Description du produit .....	21
Utilisation conforme à la finalité.....	22
Montage.....	23
Mise en place.....	24
Mise en service .....	26
Nettoyage et entretien .....	27
Stockage / entreposage pour l'hiver.....	31
Dépannage.....	32
Caractéristiques techniques.....	33
Pièces d'usure.....	35
Recyclage .....	35

## ⚠ AVERTISSEMENT

Dans l'eau, tout appareil électrique alimenté par une tension  $U > 12$  VCA ou  $U > 30$  VCC peut entraîner des blessures graves voire mortelles dues à une tension électrique dangereuse.

- ▶ Avant toute immersion dans l'eau, débrancher l'appareil du réseau électrique.
- ▶ Avant d'entamer tout travail sur l'appareil, débrancher ce dernier du réseau électrique.

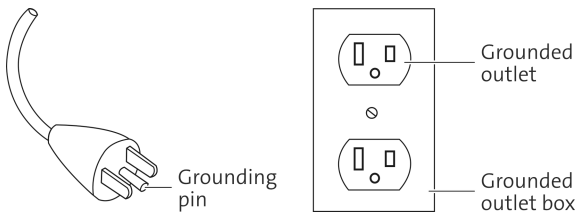
## ⚠ AVERTISSEMENT

En cas de raccordement non conforme de l'appareil à la terre, il existe un risque d'électrocution.

L'appareil doit être mis à la terre afin qu'en cas de dysfonctionnement ou de panne, le courant électrique soit évacué par la terre. Le risque d'électrocution est ainsi réduit.

### Instructions concernant la mise à la terre :

- ▶ L'appareil est doté d'un câble réseau pourvu d'une prise de terre et d'un connecteur avec fiche de terre. Le connecteur doit être branché sur une prise électrique adaptée, installée et mise à la terre conformément aux prescriptions et réglementations locales, et protégée par un disjoncteur FI (GFCI).
- ▶ Ne pas apporter de modification au connecteur. Si le connecteur ne convient pas à la prise, confier l'installation d'une prise adaptée à un électricien.
- ▶ En cas de doutes concernant la mise à la terre correcte de l'appareil, s'adresser à un électricien.



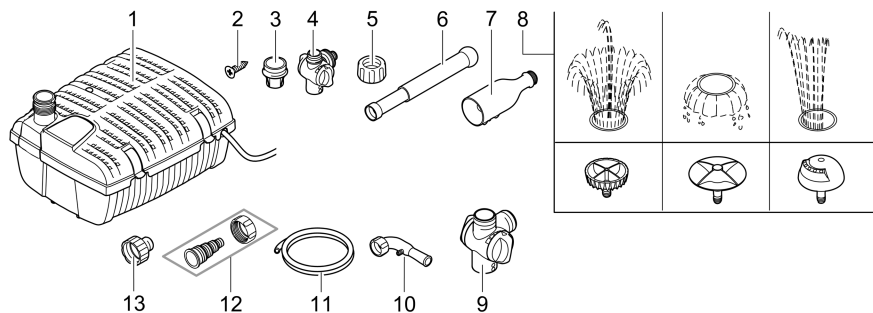
## ⚠ PRUDENCE

Le verre de quartz et la lampe UVC sont cassables et risquent de causer des blessures par coupure.

- ▶ Agir avec précaution lors des travaux sur le préclarificateur à UVC afin d'éviter toute blessure par coupure.
- ▶ Éviter de faire des secousses, des impacts ou des mouvements violents pour ne pas briser le verre.

# Description du produit

## Vue d'ensemble



FTL0025

	Filtral UVC 400	Filtral UVC 800, 1600	Descriptif
1	●	●	Filtre subaquatique
2	●	●	2 × vis • Pour accrocher le filtre subaquatique à une paroi du bassin.
3	●	–	Raccord pour joint à rotule
4	●	–	Soupape d'embranchement avec régulateur de débit • Raccordement possible pour un ruisseau/une gargouille, ½".
5	●	●	Écrou d'accouplement • Pour fixer le tuyau d'ajutage en position verticale.
6	●	●	Tuyau d'ajutage
7	●	●	Logement d'ajutage avec support de tuyau
8	●	●	Ajutages (volcan, lave, magma) • Créent différents effets d'eau.
9	–	●	Soupape d'embranchement avec régulateur de débit • Raccordement possible pour un tube de Venturi ou un ruisseau/une gargouille, 1".
10	–	●	Tube de Venturi d'aération du bassin.
11	–	●	Tuyau • Aspire l'air dans le tube de Venturi.
12	–	●	Embout à étages avec écrou-raccord
13	–	●	Réducteur • Élément intermédiaire en cas d'utilisation du tube de Venturi ou de la deuxième sortie sur la soupape d'embranchement.

## Symboles sur l'appareil

**IP68** 

L'appareil est étanche à la poussière et à l'eau jusqu'à 2 m (6,6 pieds).



Rayonnement UVC dangereux.



Désinstaller l'appareil en cas de gel.



Fragile, manipuler avec précaution. Danger de coupures.



Ne pas jeter l'appareil aux ordures ménagères.



Lire la notice d'emploi.

## Utilisation conforme à la finalité

N'utilisez le produit décrit dans ce manuel que de la manière suivante :

- Pour le nettoyage de bassins de jardin.
- Pour une exploitation avec de l'eau propre.
- Réservé à une utilisation domestique.
- Exploitation dans le respect des données techniques. (→Caractéristiques techniques)

Les restrictions suivantes sont valables pour l'appareil :

- Ne pas utiliser dans des piscines naturelles.
- Le préclarificateur à UVC intégré dans l'appareil sert à détruire les algues et les bactéries se trouvant dans l'eau du bassin/de l'étang. La lampe UVC ne doit jamais être utilisée à d'autres fins ou en dehors du boîtier.
- Ne jamais utiliser dans d'autres liquides que de l'eau.
- Ne jamais utiliser sans débit d'eau.
- Ne pas utiliser à des fins commerciales ou industrielles.
- Ne pas utiliser en relation avec des produits chimiques, des produits alimentaires, des matériaux facilement inflammables ou explosifs.

# Montage

## Utilisation avec jeu d'eau

En cas d'utilisation avec jeu d'eau, l'appareil doit être installé à l'horizontale. (→ Mise en place)

- Il est également possible de raccorder le tuyau d'un ruisseau/d'une gargouille à la sortie latérale de la soupape d'embranchement.
- Serrer les raccords vissés à la main.

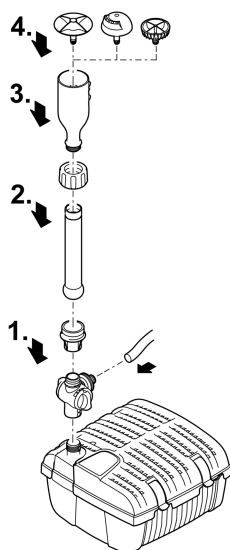
Filtral UVC 400 :

- Au lieu d'un jeu d'eau, il est possible d'utiliser l'appareil avec un tube de Venturi (disponible en option, 70364).

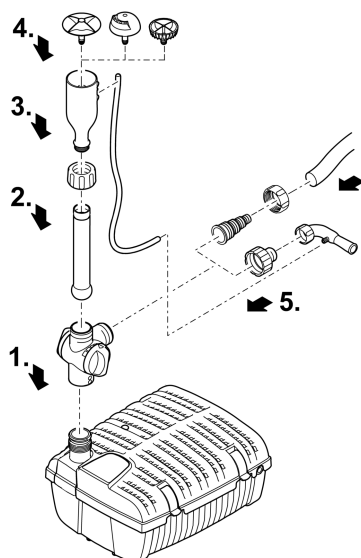
Filtral UVC 800, 1600 :

- En cas d'utilisation du tube de Venturi, poser le tuyau d'air le long du tuyau d'ajutage et le fixer dans le support au niveau du logement de l'ajutage.
  - Le tuyau d'air doit pouvoir aspirer l'air. L'eau ne doit, en revanche, pas pouvoir y pénétrer.

Filtral UVC 400



Filtral UVC 800, 1600



FTL0026

FTL0034

## Utilisation sans jeu d'eau

En cas d'utilisation sans jeu d'eau, l'appareil peut être installé à l'horizontale ou être suspendu. (→ Mise en place)

- Serrer les raccords vissés à la main.

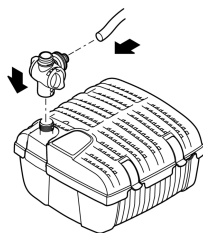
Filtral UVC 400 :

- Raccorder le tuyau d'un ruisseau/d'une gargouille à la sortie latérale de la soupape d'embranchement. L'autre sortie reste libre ou bien recevra un tube de Venturi raccordé au moyen d'un réducteur (1" sur ½") (disponible en option, 70364).

Filtral UVC 800, 1600 :

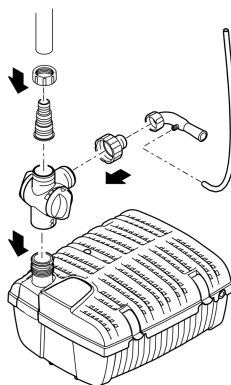
- Raccorder le tube de Venturi à la sortie latérale de la soupape d'embranchement. Raccorder le tuyau d'un ruisseau/d'une gargouille à l'autre sortie au moyen d'un embout de tuyau à degrés.

Filtral UVC 400



FTL0038

Filtral UVC 800, 1600



FTL0035

## Mise en place

### ⚠ AVERTISSEMENT

Blessures graves voire mortelles en cas d'utilisation de l'appareil dans un étang de baignade. Les pièces défectueuses d'un appareil électrique soumettent l'eau à une tension électrique dangereuse.

- ▶ Ne pas utiliser l'appareil dans une piscine naturelle.

### ⚠ AVERTISSEMENT

L'appareil délivre une tension électrique dangereuse et ne doit pas être installé en contact direct avec l'eau afin d'éviter tout risque de blessure ou un danger de mort par électrocution.

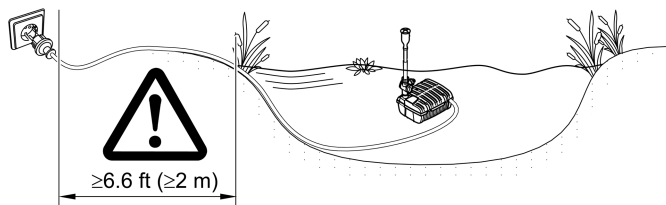
- ▶ Installer l'appareil à au moins 2 m de l'eau pour le protéger contre les inondations.



## Mise en place de l'appareil à l'horizontale

Respecter les conditions suivantes :

- Veiller à ce que le raccordement au secteur se trouve à au moins 2 m (6,6 pieds) du bassin.
- Placer l'appareil de sorte que le carter du filtre se trouve toujours au-dessous de la surface de l'eau.
- Placer l'appareil à l'horizontale sur un support stable et sans résidus.
- Positionner l'appareil de sorte que l'ajutage se trouve au-dessus de la surface de l'eau.

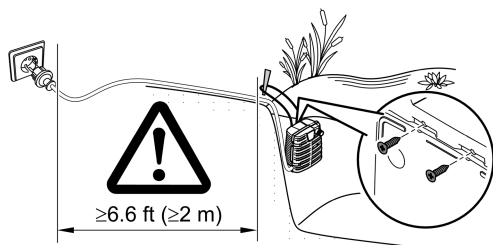


FTL0059

## Suspension de l'appareil

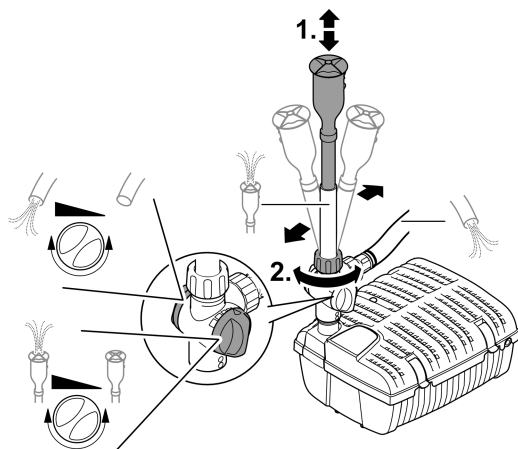
Respecter les conditions suivantes :

- Veiller à ce que le raccordement au secteur se trouve à au moins 2 m (6,6 pieds) du bassin.
- Placer l'appareil de sorte que le carter du filtre se trouve toujours au-dessous de la surface de l'eau.
- N'utiliser l'appareil que sans jeu d'eau.
- Visser les deux vis dans la coque inférieure du filtre et suspendre l'appareil avec un cordon au niveau des deux vis. Fixer le cordon au bord du bassin.



FTL0060

## Réglage de la fontaine / du jeu d'eau



FTL0027

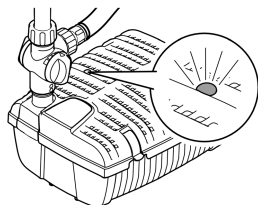
## Mise en service

### REMARQUE

Ne jamais raccorder la pompe à un variateur. Le cas contraire risque de détériorer la pompe.

- **Mettre en circuit** : brancher la fiche secteur dans la prise de courant.  
– L'appareil se met immédiatement en marche.
- **Mettre hors circuit** : retirer la fiche secteur de la prise de courant.

La fenêtre de visualisation indique quand la lampe UVC de l'appareil fonctionne.



FTL0029

# Nettoyage et entretien

## REMARQUE

N'utiliser aucun produit chimique de nettoyage. Ceux-ci sont nuisibles aux animaux, aux plantes et à l'environnement.

- Nettoyer l'appareil uniquement à l'eau claire et en utilisant une brosse douce.

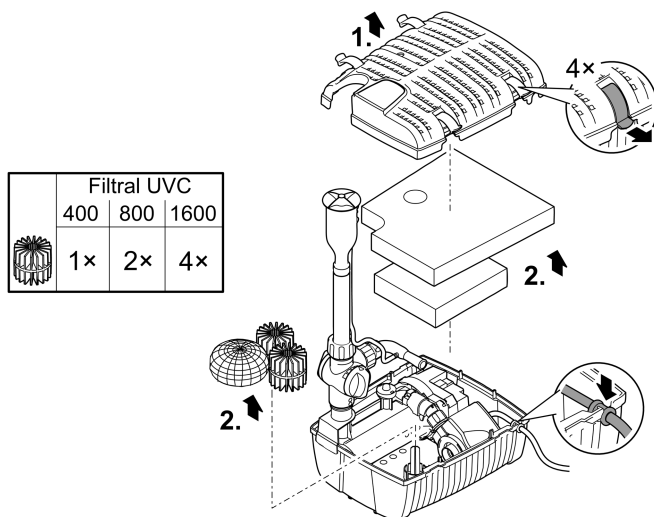
Recommandations de nettoyage :

- Nettoyer l'appareil selon les besoins, mais au moins 2 fois par an.
- Tenir l'appareil droit au moment de le sortir du bassin. La coque inférieure du filtre peut comporter des impuretés.
- Nettoyer en particulier l'unité de fonctionnement et le corps de pompe.
- Nettoyer le regard avec un coton-tige.

## Ouverture/fermeture du corps

Pour procéder au nettoyage et à la maintenance du milieu filtrant, de la pompe de filtration et du préclarificateur à UVC, ouvrir l'appareil.

Avant de fermer le corps, introduire le câble d'alimentation dans son logement afin de ne pas l'écraser.



FTL0061

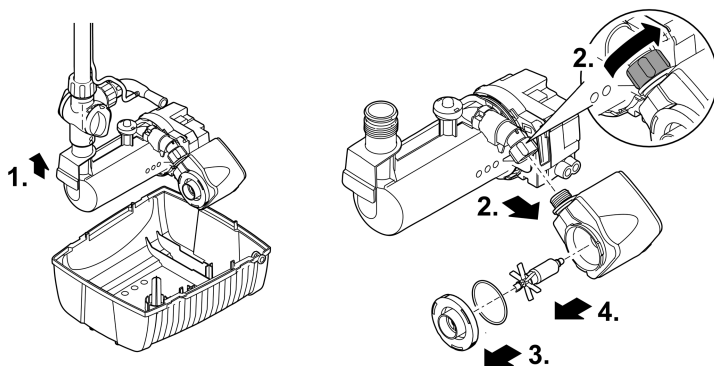
## Nettoyage des éléments filtrants

Voici comment procéder :

1. Nettoyer soigneusement les éléments filtrants enlevés à l'eau claire.
2. Nettoyer aussi soigneusement la coque supérieure du filtre et la coque inférieure du filtre à l'eau claire.
3. Remonter l'appareil en suivant l'ordre inverse.

## Nettoyage/Remplacement de l'unité de fonctionnement

- Détacher le couvercle ou le corps de pompe en tournant le moteur dans le sens antihoraire (fermeture à baïonnette).
- Après avoir démonté l'unité de fonctionnement, nettoyer toutes les pièces à l'eau du robinet.
- Remplacer l'unité de fonctionnement en cas d'usure ou d'endommagement.
- L'assemblage s'effectue dans l'ordre inverse.



FTL0031

## Nettoyage du préclarificateur à UVC

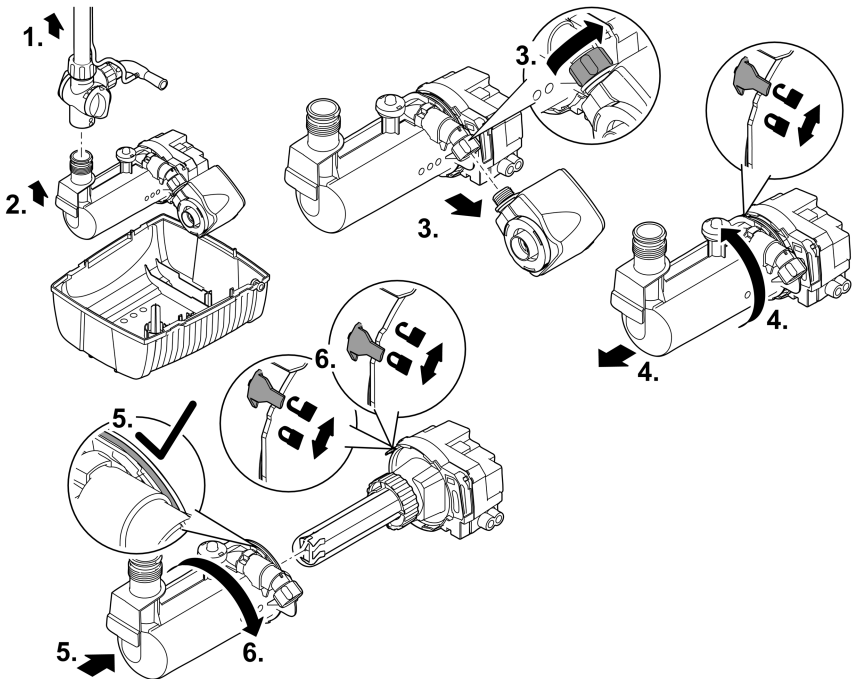
### **⚠ PRUDENCE**

Le verre de quartz et la lampe UVC sont cassables et risquent de causer des blessures par coupure.

- ▶ Agir avec précaution lors des travaux sur le préclarificateur à UVC afin d'éviter toute blessure par coupure.
- ▶ Éviter de faire des secousses, des impacts ou des mouvements violents pour ne pas briser le verre.

① Pour des raisons de sécurité, la lampe UVC ne peut être mise sous tension que si le préclarificateur à UVC est correctement monté dans l'appareil.

- Vérifier que le verre de quartz ne présente pas de dommages visibles. Remplacer tout verre de quartz endommagé.
- Nettoyer le verre de quartz de l'extérieur à l'aide d'un chiffon humide, laver le boîtier étanche à l'eau claire et avec une brosse.
- Vérifier que le grand joint torique est inséré correctement au niveau du boîtier étanche. Le boîtier étanche ferme ainsi forcément hermétiquement.
- Lors du montage, faire tourner la tête de l'appareil dans le sens horaire jusqu'à ce que le repère se trouve sur le cadenas fermé.



FTL0032

## Remplacement de la lampe UVC

### PRUDENCE

Le rayonnement ultraviolet de la lampe UVC risque de brûler les yeux et la peau.

- ▶ Ne jamais utiliser la lampe UVC en dehors du boîtier ou dans un boîtier défectueux.
- ▶ Avant d'entamer les travaux de maintenance ou de remplacer la lampe UVC, débrancher l'appareil du réseau électrique.

### PRUDENCE

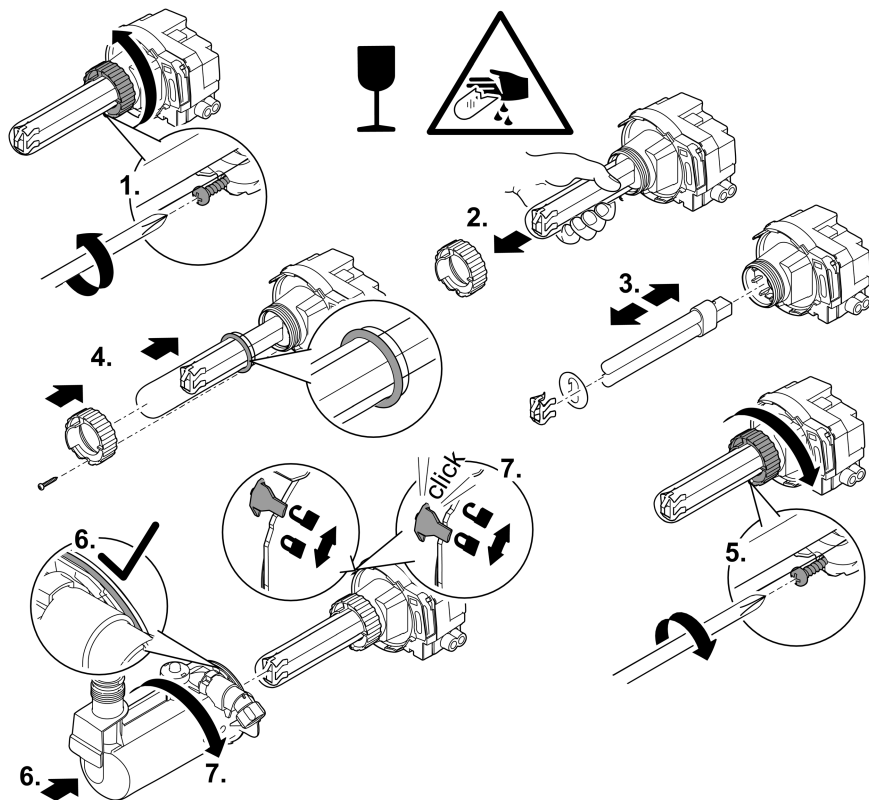
Le verre de quartz et la lampe UVC sont cassables et risquent de causer des blessures par coupure.

- ▶ Agir avec précaution lors des travaux sur le préclarificateur à UVC afin d'éviter toute blessure par coupure.
- ▶ Éviter de faire des secousses, des impacts ou des mouvements violents pour ne pas briser le verre.

① Pour des raisons de sécurité, la lampe UVC ne peut être mise sous tension que si le préclarificateur à UVC est correctement monté dans l'appareil.

① Pour un rendement de filtrage optimal, remplacer la lampe UVC après env. 8 000 heures de service.

- N'utiliser que des lampes UVC correspondant aux caractéristiques techniques de l'appareil. (→Caractéristiques techniques)
- Veiller à ce que le joint torique du verre de quartz entre l'écrou-raccord et le filetage soit positionné sur le préclarificateur à UVC pour que le verre de quartz ferme hermétiquement.
- Serrer l'écrou-raccord en le faisant tourner dans le sens horaire jusqu'à ce qu'en butée et le fixer avec la vis de blocage.
- Vérifier que le grand joint torique est inséré correctement au niveau du boîtier étanche. Le boîtier étanche ferme ainsi forcément hermétiquement.
- Lors du montage, faire tourner la tête de l'appareil dans le sens horaire jusqu'à ce que le repère se trouve sur le cadenas fermé.



FTL0037

## Stockage / entreposage pour l'hiver

L'appareil n'est pas résistant au gel et doit absolument être désinstallé et entreposé lorsque du gel est prévu.

Ci-après, la méthode optimale pour entreposer l'appareil :

- Nettoyer méticuleusement l'appareil, l'inspecter pour déceler toute présence éventuelle de dommages, absolument remplacer toute pièce endommagée.
- Conserver la pompe immergée et à l'abri du gel.
- Protéger les prises électriques contre l'humidité et les salissures.

## Dépannage

Défaut	Cause éventuelle	Remède
L'appareil ne fonctionne pas	Absence de tension de réseau	Vérifier la tension secteur
	Le boîtier étanche est ouvert (l'interrupteur de sécurité dans le boîtier étanche arrête automatiquement la pompe)	Tourner la tête de l'appareil dans le sens antihoraire jusqu'à ce que le repère se trouve sur le cadenas fermé
La capacité de refoulement ou la hauteur du jet d'eau sont insuffisantes ou irrégulières, L'eau n'est pas claire	L'ajutage est bouché	Dévisser l'ajutage et le nettoyer
	Pertes de pression trop importantes dans la conduite menant au ruisseau / à la gargouille	Réduire au minimum la longueur des tuyaux et les éléments de connexion, et poser si possible le tuyau bien droit
	Ouvertures d'admission bouchées	Nettoyer le carter
	Éléments filtrants encrassés	Nettoyer les éléments filtrants
	L'unité de fonctionnement est bloquée	Nettoyer l'unité de fonctionnement
	L'étang/le bassin est extrêmement pollué	Retirer les algues et les feuilles du bassin/de l'étang, remplacer l'eau
	Le tube en verre à quartz est sale	Nettoyer le tube en verre à quartz
	Le débit au niveau du régulateur de débit est trop important	Régler le régulateur de débit
La lampe UVC n'éclaire pas	La lampe UVC surchauffe. Le contrôleur de température a mis la lampe UVC hors circuit	Après le refroidissement, la lampe UVC se remet automatiquement en circuit
	La lampe UVC est défectueuse	Remplacer la lampe UVC
	La lampe UVC n'est pas placée correctement dans la douille	Insérer la lampe UVC correctement dans la douille
L'appareil s'arrête après une courte période	Température d'eau excessive	Respecter la température maximale de l'eau de +77 °F (+35 °C)



# Caractéristiques techniques

## Données d'appareils

Filtral		400	800	1600	
Tension assignée	V CA	120	120	120	
Fréquence de réseau	Hz	60	60	60	
Puissance absorbée totale	W	20	22	50	
Puissance de la lampe UVC TC-S	W	5	9	13	
Raccord de tuyau soupape d'embranchement	in	½	–	–	
	mm	13	–	–	
	Embout de tuyau à étages	in	–	½, ¾, 1	½, ¾, 1
	mm	–	13, 19, 25	13, 19, 25	
Capacité de refoulement max.	gph	195	235	410	
	l/h	740	900	1560	
Colonne d'eau max.	m	1,3	1,3	1,9	
Surface de filtration	cm <sup>2</sup>	301	440	697	
Mousse filtrante (bleu)	Nombre	1	1	1	
	Taille des pores	ppi	10	10	10
Mousse filtrante (rouge)	Nombre	1	1	1	
	Taille des pores	ppi	30	30	30
Nombre de bio-éléments de surface		1	2	4	
Nombre de sachets de céramique filtrante		1	1	1	
Dimensions du bassin (sans poissons)	gal	400	800	1600	
	m <sup>3</sup>	1500	3000	6000	
Dimensions du bassin (avec poissons)	gal	200	400	800	
	m <sup>3</sup>	750	1500	3000	
Dimensions	Longueur	in	8,15	10,6	13,7
		mm	207	269	347
	Largeur	in	9,0	9,6	10,9
		mm	228	245	276
	Hauteur	in	5,1	5,5	6,2
		mm	130	140	157
Poids	kg	2,7	3,4	4,9	
Longueur câble de raccordement	ft	15	15	15	
	m	4,5	4,5	4,5	

## Tube de Venturi

Filtral			400	800	1600
Débit d'air du tube de Venturi avec un tuyau d'air de 1,5 m à une profondeur d'immersion de	0,1 m	l/h	80 <sup>1)</sup>	83	244
	0,2 m	l/h	35 <sup>1)</sup>	70	184
	0,3 m	l/h	32 <sup>1)</sup>	34	176
	0,4 m	l/h	–	29	140
	0,6 m	l/h	–	–	136
	0,8 m	l/h	–	–	113
	1,0 m	l/h	–	–	95
Profondeur d'immersion max. pour tube de Venturi avec un tuyau d'air de 1,5 m et un jeu d'eau	m		–	0,3	0,4

<sup>1)</sup> Avec tube de Venturi disponible en option.

## Valeurs admissibles de l'eau

eau douce, eau de bassin		
Valeur pH		6,8 ... 8,5
Dureté	ppm	0,45 ... 0,48
	°dH	8 ... 15
Chlore libre	moz/gal	<0.04
	mg/l	<0.3
Teneur en chlorure	moz/gal	<33.4
	mg/l	<250
Teneur en sel	%	<0,4
Résidu sec total	moz/gal	<6.67
	mg/l	<50
Température	°F	+39 ... +77
	°C	+4 ... +35

## Pièces d'usure

- Éléments de filtration
- Unité de fonctionnement
- lampe UVC, verre quartz et joint torique pour le verre quartz

## Recyclage

### REMARQUE

Il est interdit de mettre cet appareil au rebut en l'évacuant vers la gestion des ordures ménagères.

- ▶ Mettre l'appareil au rebut par le biais du système de reprise prévu à cet effet.
  - ▶ Mettre l'appareil hors d'usage en sectionnant les câbles.
-

## INDICACIONES DE SEGURIDAD IMPORTANTES

- LEA TODAS LAS INSTRUCCIONES ANTES DEL USO (DE ESTE EQUIPO).
- GUARDE ESTAS INSTRUCCIONES.
- Conecte el equipo sólo cuando los datos eléctricos del equipo coinciden con los datos de la alimentación de corriente.
- No emplee el equipo como juguete. Preste mucha atención cuando los niños emplean el equipo o cuando el equipo esté cerca de niños.
- No emplee el equipo cuando las líneas eléctricas o la caja están dañadas.
- La línea de conexión dañada no se pueden sustituir. Deseche el equipo.
- No transporte ni tire el equipo por la línea eléctrica.
- Tienda las líneas de forma que estén protegidas contra daños y lesiones por tropiezo de personas.
- Proteja las conexiones de enchufe contra la humedad.
- No toque la clavija con las manos mojadas.
- Sujete la clavija para desenchufar el equipo. No tire del cable.
- No realice nunca modificaciones técnicas en el equipo.
- Ejecute en el equipo sólo los trabajos descritos en estas instrucciones.
- Saque siempre la clavija de red antes de ejecutar trabajos en el equipo.
- Emplee sólo piezas de recambio originales y accesorios originales.
- En caso de problemas póngase en contacto con el servicio al cliente autorizado o con OASE.

## Contenido

INDICACIONES DE SEGURIDAD IMPORTANTES .....	36
Descripción del producto .....	38
Uso conforme a lo prescrito .....	39
Montaje .....	40
Emplazamiento .....	41
Puesta en marcha .....	43
Limpieza y mantenimiento .....	44
Almacenamiento/ conservación durante el invierno .....	48
Eliminación de fallos .....	49
Datos técnicos .....	50
Piezas de desgaste .....	52
Desecho .....	52

## ⚠ ADVERTENCIA

Lesiones graves o la muerte por tensión eléctrica peligrosa son posibles en un equipo eléctrico en el agua que se opera con una tensión  $U > 12 \text{ V CA}$  o  $U > 30 \text{ V CC}$ .

- ▶ Separe el equipo de la red de corriente antes de tocar el agua.
- ▶ Separe el equipo de la red de corriente antes de comenzar los trabajos en el equipo.

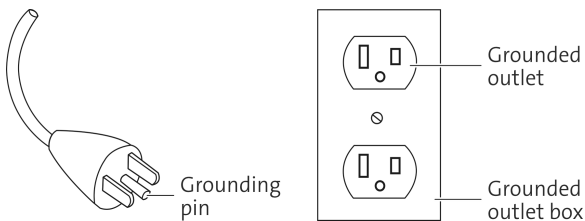
## ⚠ ADVERTENCIA

En caso de una conexión inadecuada de la puesta a tierra del equipo existe el peligro de una descarga eléctrica.

El equipo tiene que estar puesto a tierra para que en caso de un funcionamiento erróneo o fallo la corriente eléctrica se derive a través de la puesta a tierra y se reduzca el riesgo de una descarga eléctrica.

### Instrucciones para la puesta a tierra:

- ▶ El equipo tiene un cable de red con conductores de puesta a tierra y una clavija con perno de tierra. La clavija se tiene que enchufar en un tomacorriente apropiado que esté instalado y puesto a tierra conforme a las prescripciones y reglamentos locales y asegurado mediante un interruptor diferencial (GFCI).
- ▶ Está prohibido modificar la clavija. Encargue a un electricista especializado la instalación de un tomacorriente apropiado si la clavija no encaja en el tomacorriente.
- ▶ Póngase en contacto con un electricista especializado si tiene dudas que el equipo está correctamente puesto a tierra.



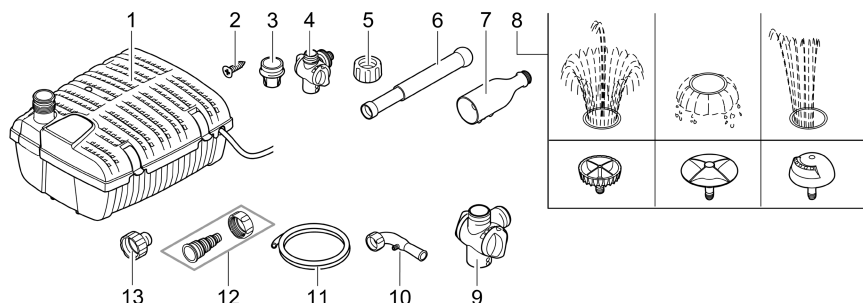
## ⚠ CUIDADO

El vidrio de cuarzo y la lámpara UVC se pueden romper y ocasionar lesiones de corte.

- ▶ Ejecute minuciosamente todos los trabajos en el clarificador UVC para evitar lesiones de corte.
- ▶ Evite sacudidas, golpes y movimientos bruscos para evitar la rotura del vidrio.

# Descripción del producto

## Vista sumaria



FTL0025

	Filtral UVC 400	Filtral UVC 800, 1600	Descripción
1	●	●	Filtro sumergible
2	●	●	2 tornillos • Para suspender el filtro sumergible en una pared del estanque.
3	●	–	Pieza de conexión para la articulación esférica
4	●	–	Válvula de derivación con reguladores del caudal • Posibilidad de conexión arroyo/ gárgola, ½ pulgada
5	●	●	Tuerca racor • Para fijar la posición vertical del tubo de tobera.
6	●	●	Tubo de tobera
7	●	●	Alojamiento de la tobera con soporte de manguera
8	●	●	Insertos de toberas (volcán, lava, magma) • Generación de imágenes de agua diferentes.
9	–	●	Válvula de derivación con reguladores del caudal • Posibilidad de conexión tobera Venturi o arroyo/ gárgola, 1 pulgada
10	–	●	Tobera Venturi para la aireación del estanque.
11	–	●	Manguera • Aspira el aire a la tobera Venturi.
12	–	●	Tobera de manguera escalonada con tuerca racor
13	–	●	Pieza reductora • Pieza intermedia cuando se emplea la tobera Venturi o la segunda salida en la válvula de derivación.

## Símbolos en el equipo

**IP68** 

El equipo es hermético al polvo y al agua hasta 6,6 pies (2 m).



Radiación UVC peligrosa.



Desinstale el equipo en caso de heladas.



Frágil, trate con cuidado. Peligro de lesiones de corte.



No deseche el equipo en la basura doméstica normal.



Lea las instrucciones de uso.

## Uso conforme a lo prescrito

El producto descrito en estas instrucciones sólo se debe emplear de la forma siguiente:

- Para limpiar los estanques de jardín.
- Para la operación con agua limpia.
- Sólo para el uso doméstico.
- Operación observando los datos técnicos. (→ Datos técnicos)

Para el equipo son válidas las siguientes limitaciones:

- No emplee en piscinas.
- El equipo clarificador UVC montado en el equipo sirve para matar las algas y bacterias en el agua de estanque. La lámpara UVC nunca se debe operar para otros fines ni fuera de la caja.
- Está prohibido operar con otros líquidos distintos del agua.
- No opere nunca sin circulación de agua.
- No emplee el equipo para fines industriales.
- No emplee el equipo en combinación con productos químicos, alimentos y sustancias fácilmente inflamables o explosivas.

# Montaje

## Operación con juego de agua

El equipo se tiene que emplazar de forma horizontal para la operación con fuente de agua. (→Emplazamiento)

- En la salida lateral de la válvula de derivación se puede conectar adicionalmente la manguera de un arroyo/ gárgola.
- Apriete las conexiones de tornillos con la mano.

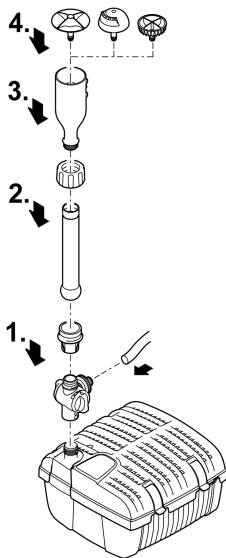
Filtral UVC 400:

- En lugar de una gárgola, el equipo se puede operar con una tobera Venturi (disponible opcionalmente, 70364).

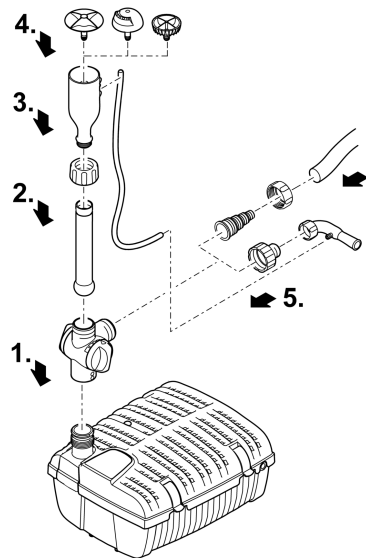
Filtral UVC 800, 1600:

- Si se emplea la tobera Venturi, guíe la manguera de aire a lo largo del tubo de tobera y fijela en el soporte del alojamiento de la tobera.
  - La manguera de aire tiene que poder aspirar el aire y no debe entrar agua.

Filtral UVC 400



Filtral UVC 800, 1600



FTL0026

FTL0034



## Operación sin juego de agua

En caso de operación sin fuente de agua es posible emplazar o colgar el equipo de forma horizontal. (→Emplazamiento)

- Apriete las conexiones de tornillos con la mano.

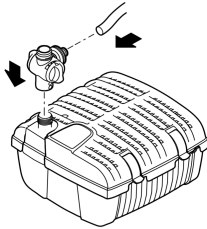
Filtral UVC 400:

- Conecte la manguera de un arroyo/ gárgola en la salida lateral de la válvula de derivación. La otra salida se mantiene libre o se conecta una tobera Venturi (disponible opcionalmente, 70364) mediante una pieza reductora (de 1 pulgada a ½ pulgada).

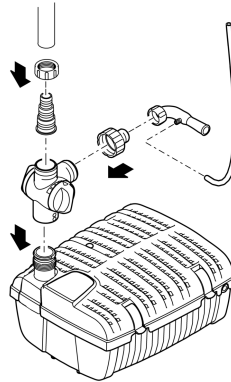
Filtral UVC 800, 1600:

- Conecte la tobera Venturi en la salida lateral de la válvula de derivación. Conecte la manguera de un arroyo/ gárgola mediante una boquilla de manguera escalonada en la otra salida lateral.

Filtral UVC 400



Filtral UVC 800, 1600



FTL0038

FTL0035

## Emplazamiento

### ⚠ ADVERTENCIA

Lesiones graves o la muerte si el equipo se opera en un estanque de natación. Piezas eléctricas defectuosas del equipo generan una tensión eléctrica peligrosa en el agua.

- No emplee el equipo en estanques para nadar.

### ⚠ ADVERTENCIA

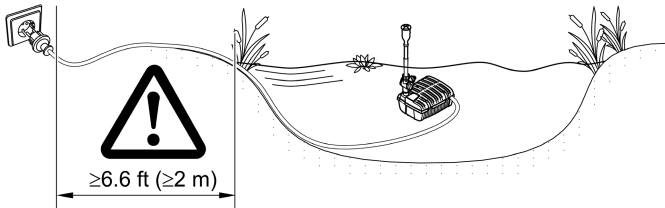
El equipo conduce tensión eléctrica peligrosa y está prohibido instalarlo directamente en el borde del agua. De lo contrario existe riesgo de lesiones graves o muerte por choque eléctrico.

- Emplace el equipo protegido contra inundación a una distancia mínima de 2 m al agua.

## Emplazamiento horizontal del equipo

Cumpla las siguientes condiciones:

- Asegure que la conexión de red esté alejada como mínimo 6,6 pies (2 m) del estanque.
- Emplace el equipo de forma que la caja del filtro siempre esté por debajo del nivel del agua.
- Coloque el equipo de forma horizontal sobre una base resistente y exenta de lodo.
- Posicione el equipo de forma que el inserto de tobera se encuentre por encima del nivel de agua.

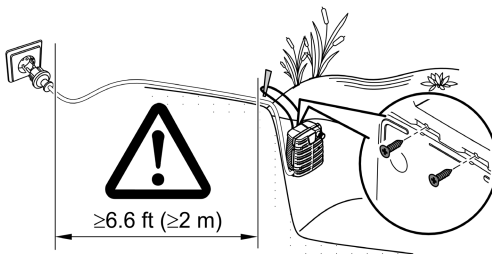


FTL0059

## Emplazamiento suspendido del equipo

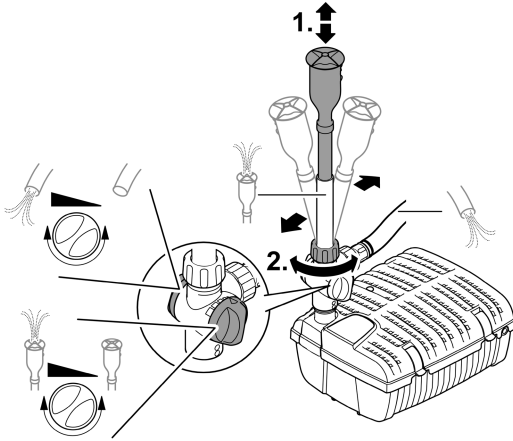
Cumpla las siguientes condiciones:

- Asegure que la conexión de red esté alejada como mínimo 6,6 pies (2 m) del estanque.
- Emplace el equipo de forma que la caja del filtro siempre esté por debajo del nivel del agua.
- Opere el equipo sólo sin fuente de agua.
- Enrosque los dos tornillos en la carcasa inferior del filtro y cuelgue el equipo con una cuerda en los dos tornillos. Fije la cuerda en la orilla del estanque.



FTL0060

## Ajuste del surtidor/ juego de agua



FTL0027

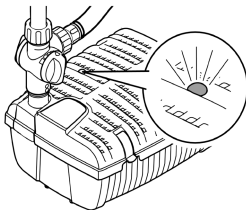
## Puesta en marcha

### INDICACIÓN

Nunca conecte la bomba a un regulador de luz. De lo contrario se destruye la bomba.

- **Conexión:** Enchufe la clavija de red en el tomacorriente.  
– El equipo se conecta de inmediato.
- **Desconexión:** Saque la clavija de red del tomacorriente.

La ventana de visualización indica cuando está funcionando la lámpara UVC en el equipo.



FTL0029

# Limpieza y mantenimiento

## INDICACIÓN

No emplee productos de limpieza químicos. Dañan a los animales, las plantas y el medio ambiente.

- ▶ Limpie el equipo sólo con agua clara y un cepillo suave.

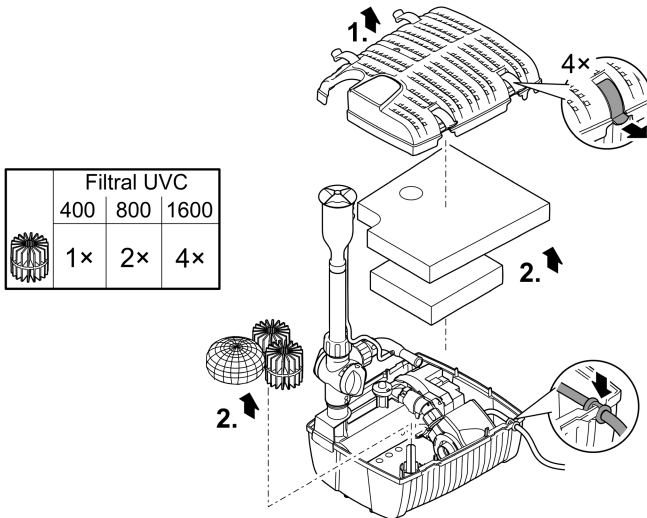
Recomendación para la limpieza:

- ▶ Limpie el equipo según sea necesario, pero como mínimo 2 veces al año.
- ▶ Sostenga el equipo recto cuando saque el equipo del estanque. La carcasa inferior del filtro puede contener suciedad.
- ▶ Limpie en la bomba especialmente la unidad de rodadura y la carcasa de la bomba.
- ▶ Limpie la mirilla con un bastoncillo de algodón.

## Abertura/ cierre de la carcasa

Para la limpieza y el mantenimiento de los medios filtrantes, la bomba de filtro y el clarificador UVC se tiene que abrir el equipo.

Antes de cerrar la carcasa coloque el cable de red en la ranura de la carcasa de forma que no se aplaste el cable de red.



FTL0061

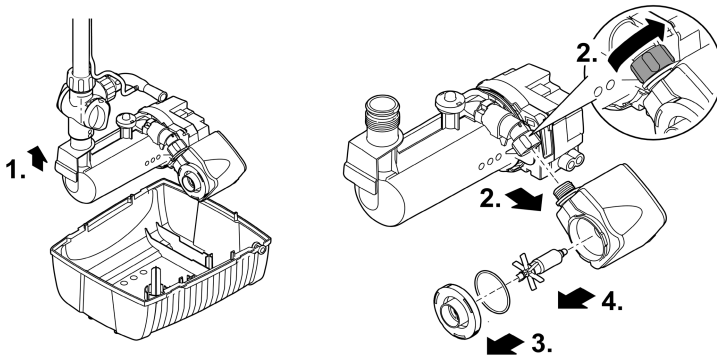
## Limpeza de los medios filtrantes

Proceda de la forma siguiente:

1. Limpie minuciosamente los medios filtrantes sacados con agua clara del grifo.
2. Limpie minuciosamente también la carcasa superior del filtro y la carcasa inferior del filtro con agua clara del grifo.
3. Monte el equipo en secuencia contraria.

## Limpeza/ sustitución de la unidad de rodadura

- Suelte la tapa de la bomba o la carcasa de la bomba con un giro a la izquierda de la carcasa del motor (cierre de bayoneta).
- Después de sacar la unidad de rodadura limpie todas las piezas con agua corriente del grifo.
- Sustituya la unidad de rodadura desgastada o dañada.
- El montaje se realiza en secuencia contraria.



FTL0031

## Limpeza del equipo clarificador UVC

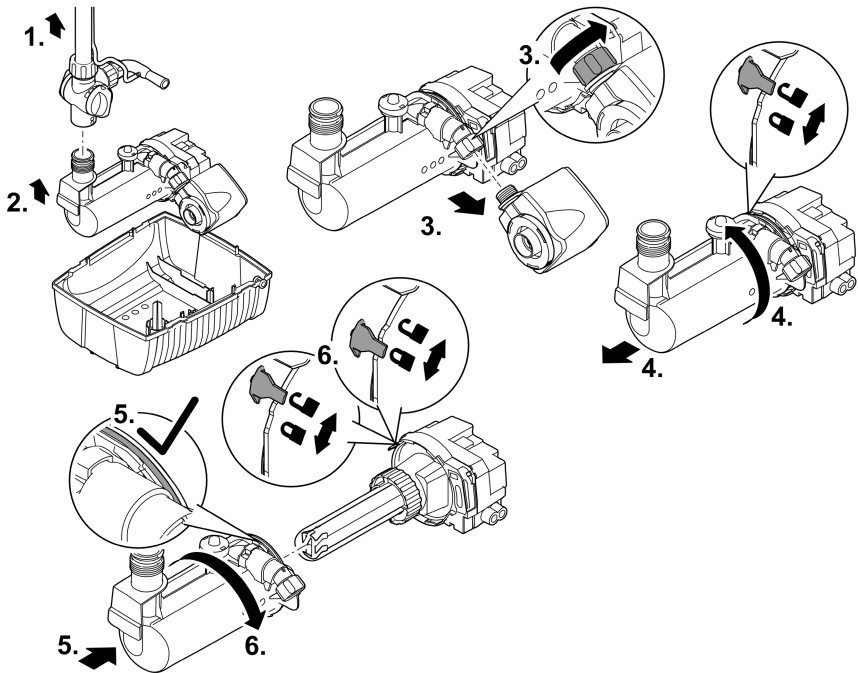
### ⚠ CUIDADO

El vidrio de cuarzo y la lámpara UVC se pueden romper y ocasionar lesiones de corte.

- ▶ Ejecute minuciosamente todos los trabajos en el clarificador UVC para evitar lesiones de corte.
- ▶ Evite sacudidas, golpes y movimientos bruscos para evitar la rotura del vidrio.

① Por razones de seguridad, la lámpara UVC sólo se puede conectar cuando el clarificador UVC se haya montado correctamente en el equipo.

- Compruebe si el vidrio de cuarzo presenta daños visibles. Sustituya el vidrio de cuarzo dañado.
- Limpie el vidrio de cuarzo con un paño húmedo por fuera y la caja de agua con agua clara y un cepillo.
- Compruebe que la junta tórica grande esté correctamente colocada en la caja de agua. De esta forma se garantiza que la caja de agua cierre herméticamente.
- Gire la cabeza del equipo en sentido horario al montaje hasta que la marca muestre al candado cerrado.



FTL0032

## Sustitución de la lámpara UVC

### CUIDADO

La radiación ultravioleta de la lámpara UVC puede quemar los ojos y la piel.

- ▶ Nunca opere la lámpara UVC fuera de la caja ni en una caja dañada.
- ▶ Separe el equipo de la red de corriente antes de comenzar los trabajos de mantenimiento o antes de sustituir la lámpara UVC.

### CUIDADO

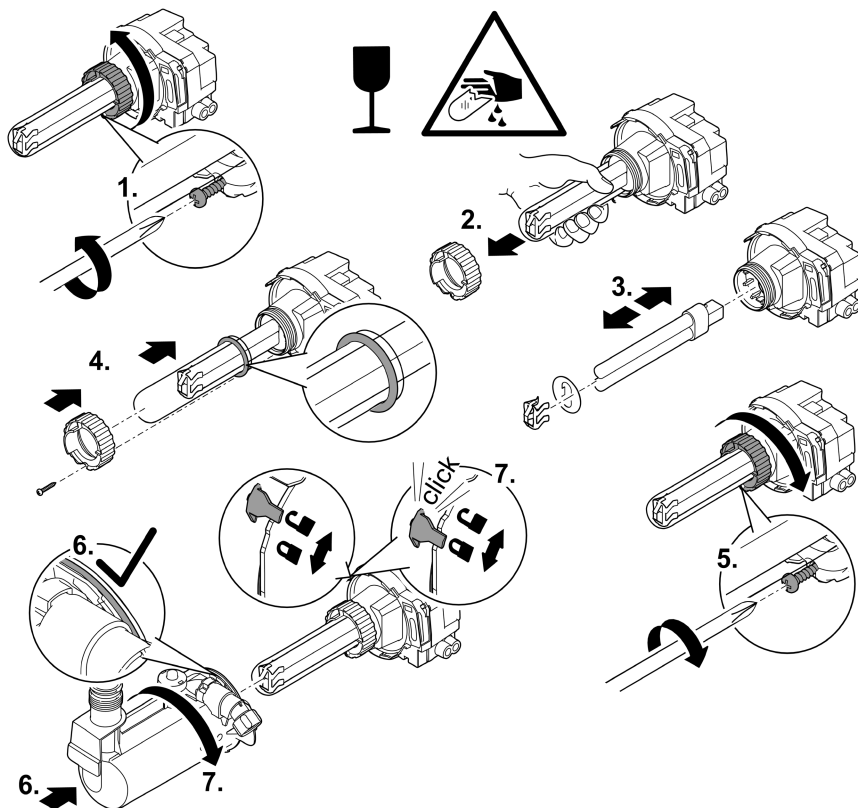
El vidrio de cuarzo y la lámpara UVC se pueden romper y ocasionar lesiones de corte.

- ▶ Ejecute minuciosamente todos los trabajos en el clarificador UVC para evitar lesiones de corte.
- ▶ Evite sacudidas, golpes y movimientos bruscos para evitar la rotura del vidrio.

❶ Por razones de seguridad, la lámpara UVC sólo se puede conectar cuando el clarificador UVC se haya montado correctamente en el equipo.

❶ Para una potencia de filtraje óptima sustituya la lámpara UVC después de aprox. 8000 horas de servicio.

- Emplee sólo lámparas UVC que se correspondan con los datos técnicos del equipo. (→Datos técnicos)
- Garantice que la junta tórica en el vidrio de cuarzo se encuentre entre la tuerca racor y la rosca en el clarificador UVC para que el vidrio de cuarzo cierre herméticamente.
- Apriete la tuerca racor en sentido horario hasta el tope y fije la tuerca racor con el tornillo de seguridad
- Compruebe que la junta tórica grande esté correctamente colocada en la caja de agua. De esta forma se garantiza que la caja de agua cierre herméticamente.
- Gire la cabeza del equipo en sentido horario al montaje hasta que la marca muestre al candado cerrado.



FTL0037

## Almacenamiento/ conservación durante el invierno

El equipo no está protegido contra heladas y se tiene que desmontar y almacenar cuando se esperen heladas.

Almacenamiento correcto del equipo de la forma siguiente:

- Limpie minuciosamente el equipo, compruebe si presenta daños y sustituya las partes dañadas.
- Almacene la bomba sumergida y protegida contra heladas.
- Proteja las conexiones eléctricas contra la humedad y la suciedad.



## Eliminación de fallos

Fallo	Causa probable	Acción correctora
El equipo no funciona	No hay tensión de alimentación	Compruebe la tensión de alimentación.
	La carcasa de agua está abierta (el interruptor de seguridad en la carcasa de agua desconecta automáticamente la bomba)	Gire la cabeza del equipo en sentido horario hasta que la marca indique al cerrojo bloqueado.
La capacidad de elevación o la altura del surtidor es insuficiente o irregular El agua no está clara.	Tobera obstruida	Desatornille y limpie el inserto de tobera.
	Pérdidas excesivas de presión en la tubería al arroyo/ gárgola	Reduzca la longitud de las mangueras y los elementos de conexión al mínimo. Tienda las mangueras lo más recto posible.
	Aberturas de entrada obstruidas	Limpie la caja.
	Medios filtrantes sucios	Limpie los medios filtrantes
	Unidad de rodadura bloqueada	Limpie la unidad de rodadura
	Estanque extremadamente sucio	Elimine las algas y hojas del estanque. Cambie el agua.
	El tubo de vidrio de cuarzo está sucio	Limpie el tubo de vidrio de cuarzo
	Regulador del caudal muy cerrado	Ajustar el regulador de caudal
La lámpara UVC no se ilumina	La lámpara UVC está muy caliente. El controlador de temperatura desconectó la lámpara UVC.	La lámpara UVC se conecta automáticamente después del enfriamiento.
	La lámpara UVC está defectuosa.	Sustituya la lámpara UVC.
	La lámpara UVC no está correctamente colocada en el portálámpara	Coloque la lámpara UVC correctamente en el portálámpara
El equipo se desconecta después de un corto tiempo de funcionamiento	Temperatura del agua muy alta	Cumple la temperatura máxima del agua de +77 °F (+35 °C).

## Datos técnicos

### Datos del equipo

Filtral		400	800	1600	
Tensión de referencia	V CA	120	120	120	
Frecuencia de referencia	Hz	60	60	60	
Consumo de potencia total	W	20	22	50	
Potencia lámpara UVC TC-S	W	5	9	13	
Conexión de manguera válvula de derivación	in	½	–	–	
	mm	13	–	–	
	Boquilla de manguera escalonada	in	–	½, ¾, 1	½, ¾, 1
	mm	–	13, 19, 25	13, 19, 25	
Capacidad de bombeo máx.	gph	195	235	410	
	l/h	740	900	1560	
Columna de agua máx.	m	1,3	1,3	1,9	
Superficie filtrante	cm <sup>2</sup>	301	440	697	
Elemento de espuma filtrante (azul)	Cantidad	1	1	1	
	Tamaño de los poros	ppi	10	10	10
Elemento de espuma filtrante (rojo)	Cantidad	1	1	1	
	Tamaño de los poros	ppi	30	30	30
Cantidad elementos de superficie orgánica		1	2	4	
Cantidad bolsas cerámica de filtro		1	1	1	
Tamaño del estanque (sin peces)	gal	400	800	1600	
	m <sup>3</sup>	1500	3000	6000	
Tamaño del estanque (con peces)	gal	200	400	800	
	m <sup>3</sup>	750	1500	3000	
Dimensiones	Longitud	in	8,15	10,6	13,7
		mm	207	269	347
	Anchura	in	9,0	9,6	10,9
		mm	228	245	276
	Altura	in	5,1	5,5	6,2
		mm	130	140	157
Peso	kg	2,7	3,4	4,9	
Longitud línea de conexión	ft	15	15	15	
	m	4,5	4,5	4,5	

## Tobera Venturi

Filtral			400	800	1600
Caudal de aire de la tobera Venturi con una manguera de aire de 1,5 m a una profundidad de inmersión	0,1 m	l/h	80 <sup>1)</sup>	83	244
	0,2 m	l/h	35 <sup>1)</sup>	70	184
	0,3 m	l/h	32 <sup>1)</sup>	34	176
	0,4 m	l/h	–	29	140
	0,6 m	l/h	–	–	136
	0,8 m	l/h	–	–	113
	1,0 m	l/h	–	–	95
Profundidad de inmersión máx. para la tobera Venturi con manguera de aire de 1,5 m y fuente de agua	m		–	0,3	0,4

<sup>1)</sup> Con tobera Venturi opcional

## Valores del agua permisibles

Agua fresca, agua de estanque		
Valor pH		6.8 a 8.5
Dureza	ppm	0.45 a 0.48
	°dH	8 a 15
Cloro libre	moz/gal	<0.04
	mg/l	<0.3
Contenido de cloruro	moz/gal	<33.4
	mg/l	<250
Contenido de sal	%	<0,4
Residuo seco total	moz/gal	<6.67
	mg/l	<50
Temperatura	°F	+39 a +77
	°C	+4 a +35

## Piezas de desgaste

- Medios filtrantes
- Unidad de rodadura
- Lámpara UVC, vidrio cuarzoso y junta tórica para vidrio cuarzoso

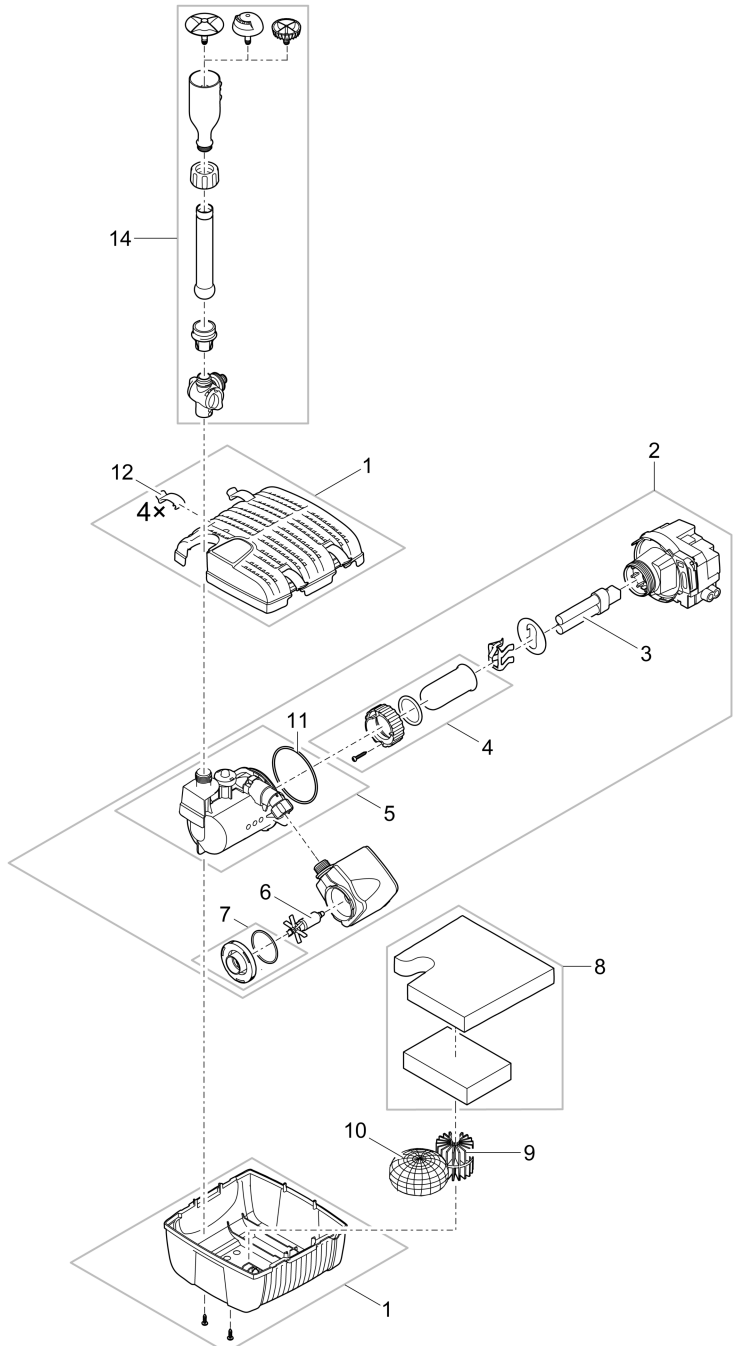
## Desecho

### INDICACIÓN

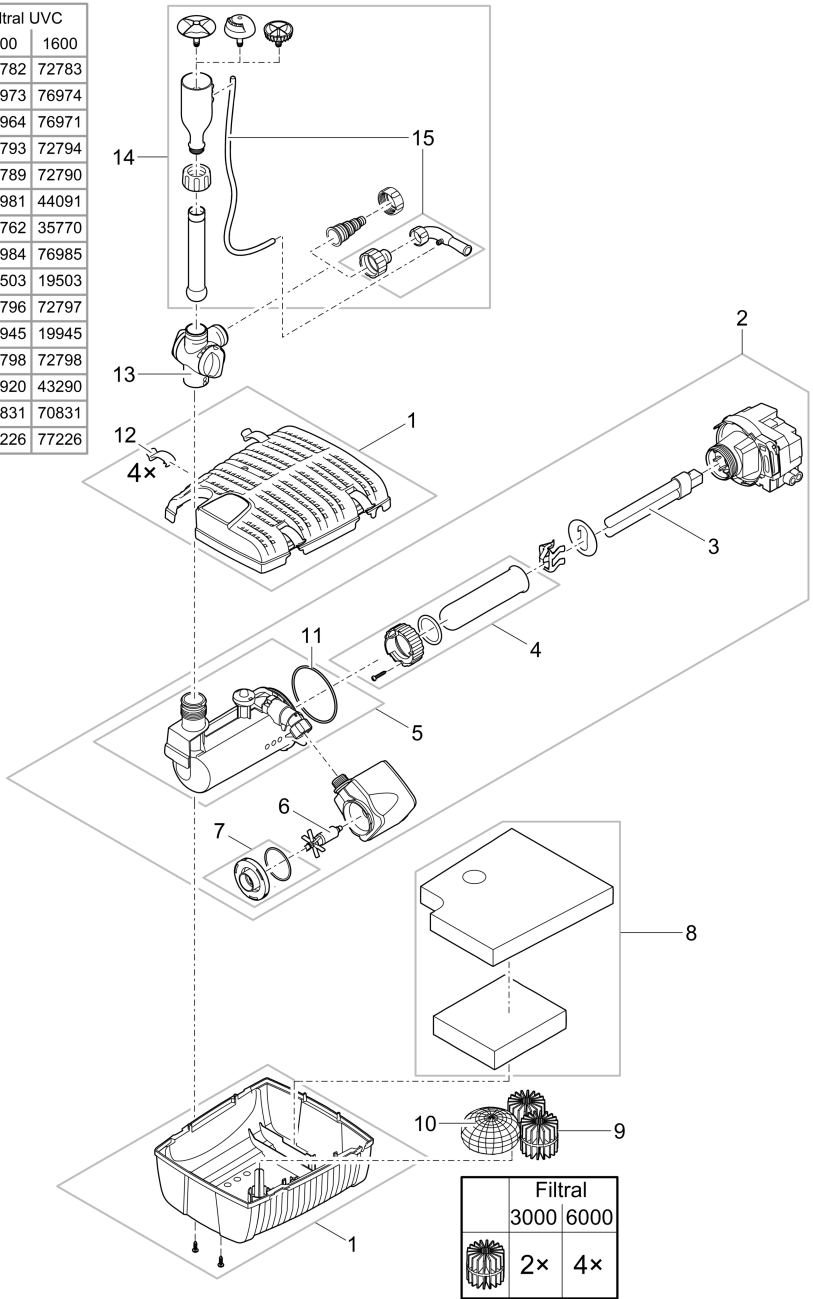
Está prohibido desechar este equipo en la basura doméstica.

- ▶ Deseche el equipo a través del sistema de recogida previsto.
  - ▶ Corte los cables para inutilizar el equipo.
-

Pos.	Filtral UVC
1	72781
2	76972
3	76970
4	72792
5	72788
6	40981
7	35762
8	76983
9	19503
10	72795
11	19945
12	72798
14	70830



Pos.	Filtral UVC	
	800	1600
1	72782	72783
2	76973	76974
3	40964	76971
4	72793	72794
5	72789	72790
6	40981	44091
7	35762	35770
8	76984	76985
9	19503	19503
10	72796	72797
11	19945	19945
12	72798	72798
13	43920	43290
14	70831	70831
15	77226	77226



FTL0063

OASE North America Inc.  
330.274.8317

[www.atlantic-oase.com](http://www.atlantic-oase.com)