



The Wand Tonearm® Variant Features;

The Wand Plus & Master Series are only available through retailers; ask us for your nearest stockist.

| Item | Wand Classic | Wand Plus | Wand Master Series |
|-----------------------|----------------------|-----------------------|--------------------------------|
| Availability | Internet only | Retailer only | Retailer only |
| Available lengths | 9.5in/ 10.3in/ 12in | 9.5in / 10.3in / 12in | 9.5in / 10.3in / 12in |
| Mount (25mm hole) | 222 / 246 / 295mm | 222 / 246 / 295mm | 222 / 246 / 295mm |
| Weight (mounted) | 500g/ 550g / 600g | 550g/ 600g /650g | 750g/ 800g/ 850g |
| Effective Mass /g | 13g/14g/15g | 13g/14g/15g | 14g/15g/16g |
| Damped cue lifter | N | Y | Y |
| Arm lock | N | Y | Y |
| Tube vibe. damping | N | Y | Y |
| Armtip hole | N | Y | Y |
| Plugs | Plated | Eichmann ETI | Female RCA |
| Internal wire | Cardas | Cardas | Master Spec; Silver on Copper |
| Spindle | 6mm | 10mm machined | 10mm machined |
| Mounting Plate / rest | 2mm SS | 6mm Machined Al | 6mm Machined Al |
| M3 Screws | Phillips Chrome | SS Hex | SS Hex |
| Armtube | Black Carbon Fibre | Black Carbon Fibre | Silver Carbon Fibre |
| VTA Adjust | Y (Threaded spindle) | Y(Hex key lock) | Y (Graduated scale) |
| Vibration sink | N | N | Damping paddle |
| Fittings | | | |
| Packaging | Polystyrene | Wood box | Wood box & fabric bag |
| SS Protractor | Y | Y | Y |
| Cartridge Weight | Extra option | 2g | 2g & 5g |
| Ortofon Balance | Y | Y | Y |
| Range Cart. Weight | 3 – 8.4g | 3 – 8.4g | 3 – 8.4g |
| Heavy Cart Kit >8.5 g | Extra option | Extra option | Extra option |
| Linn Mount (211mm) | Armboard option | Armboard option | Armboard option (50g lighter) |
| SME/Technics Mount | Extra option | Extra option | Extra option |
| Lenco Mount | Extra option | Extra option | Extra option |



Other details are the same;

Cartridge Mounting / Alignment; 12.7mm centres. Fixed angle, adjustable overhang. (Baerwald)

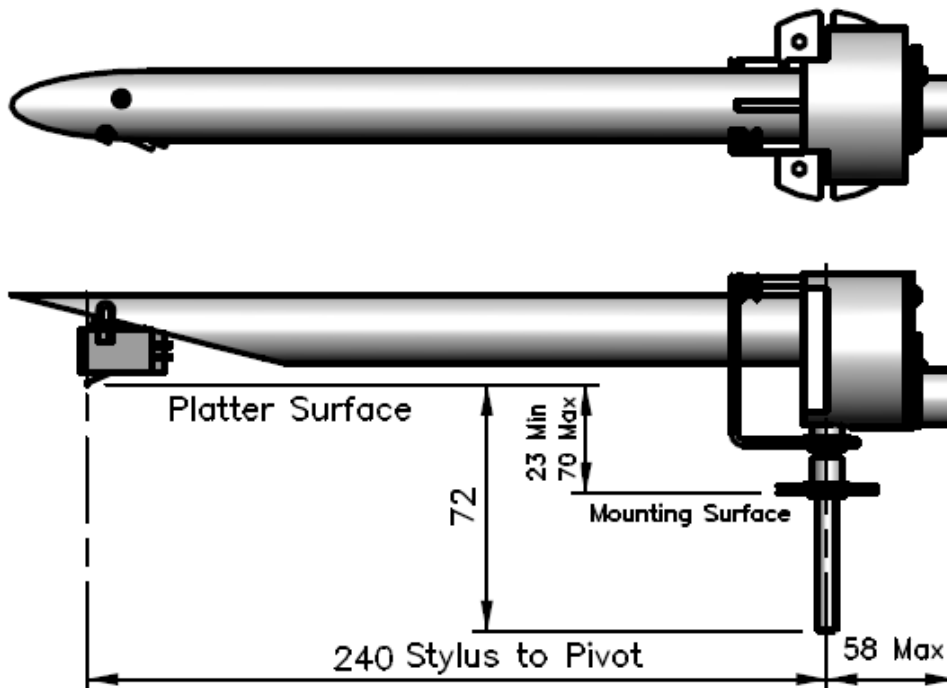
Registered Design; The Wand Unipivot Tonearm is a Registered Design (NZ; 414494) and a Registered Trademark. Copyright is asserted on all components. US Pat Appln; 29396989





The Wand® Tonearm Series 2 9.5, 10.3 & 12in models;

- 22mm diameter carbon-fibre tube is 4x stiffer than conventional arms.
- Careful termination of arm vibrations. Solid machined 50mm Brass body.
- Medium effective mass (13 to 16g) suits most cartridges.
- Installation tool enabling 90% of the performance to be achieved quickly.
- 9.5in is a drop in replacement for Rega geometry arms (25mm hole @ ~222mm).
- 10.3in is the longest arm possible for Linn LP12 and Technics SL1200 family
- 12in arm has 24% reduction in distortion. (25mm hole at 295mm from spindle)
- SME, Technics, Thorens & Linn LP12 and Lenco mounting instructions.
- Fitted weight ~500 to 850g (see P2). This is similar to SME 3009 / Linn Ittok.
- Baerwald alignment (Fixed angle, adjustable overhang) Thread /weight antiskate.
- US Patent Application; 29396989 Registered Design & Trademark



(262mm for 10.3in / 308.8mm for 12in arm)
Pivot to TT Spindle = 222mm for 9.5in / 246mm for 10.3in / 295mm for 12in)

Other details;

Cable; 900mm long, unscreened Cardas. 35pF per channel. (Separate earth). Master....ask.

Mounting dimensions; Hole 1" / 25mm diameter (23mm min). See P2 for distances

Cartridge Mounting / Alignment; 12.7mm centres. Fixed angle, adjustable overhang. (Baerwald)

Total weight; ~500g for 9.5in, 535g for 10.3in and 550g for 12in)

Registered Design; The Wand Unipivot Tonearm is a Registered Design (NZ; 414494) and a Registered Trademark. Copyright is asserted on all components. US Pat Appln; 29396989

