

Fitting The Wand Tonearm® in an existing SME cutout.

Arm and Cutout Sizes; The slot nature of the SME cutout allows some options

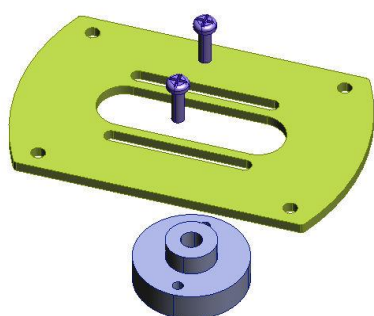
Wand 9.5in; may be mounted on a 'Standard' SME 9in cutout with its centre at 215mm

Wand 10.3in; may only be mounted if the SME plate is centered at 222mm (as per SME 310) even then, there is limited overhang adjustment. Check your own application, it may also mean the SME slot needs to slightly enlarged.

Wand 12in; may be mounted on a 'Standard' SME12in cutout with its centre at 295mm

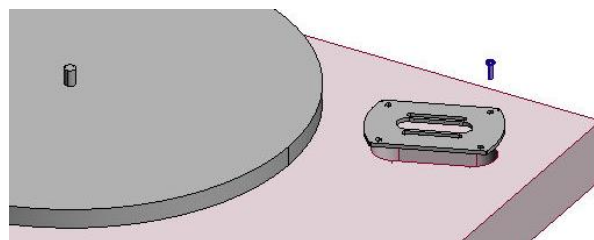
Step 1; Mount the boss onto SME Plate (But don't tighten screws)

Wand Classic shown here, Wand Plus is slightly different.



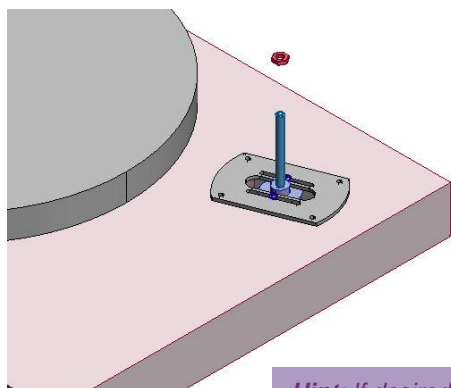
Step 2; Screw down plate

(Screws not supplied as they vary according to the turntable)



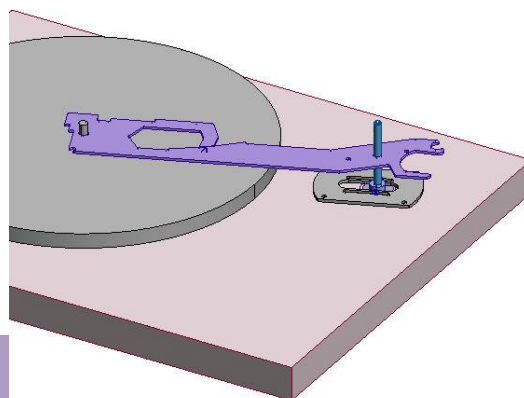
Hint; If replacing a SME 3009 mounting, experiment with / without rubber mounts.

Step 3; Add spindle (& nut for Classic, as here)



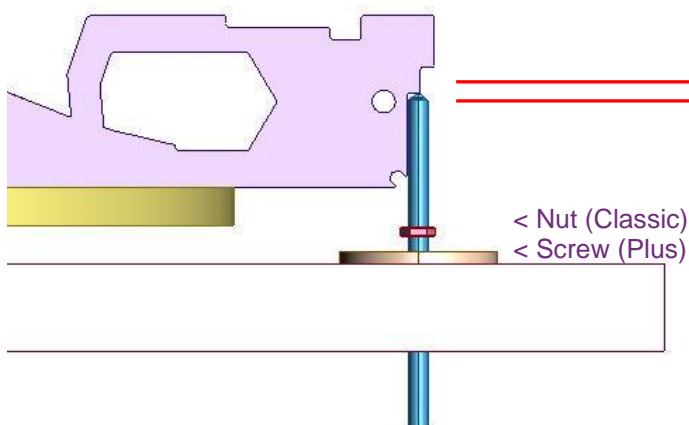
Hint; If desired you can feed the plugs & wires through the mounting plate.

Step 4; Position the spindle sideways using protractor (& tighten screws)



Step 5; Set arm height and tighten

Then continue with Page C on the User Guide.



Note; We suggest starting at +2 degrees. Later adjust downwards by ear if desired. This exact height depends on many factors. (See; P29 "SRA, VTA & My Sonic Lab" by Michael Fremer *Stereophile* June 2010)

THE WAND®
UNIPIVOT TONEARM

www.thewandtonearm.com

©April 2012 design build listen Ltd. v4