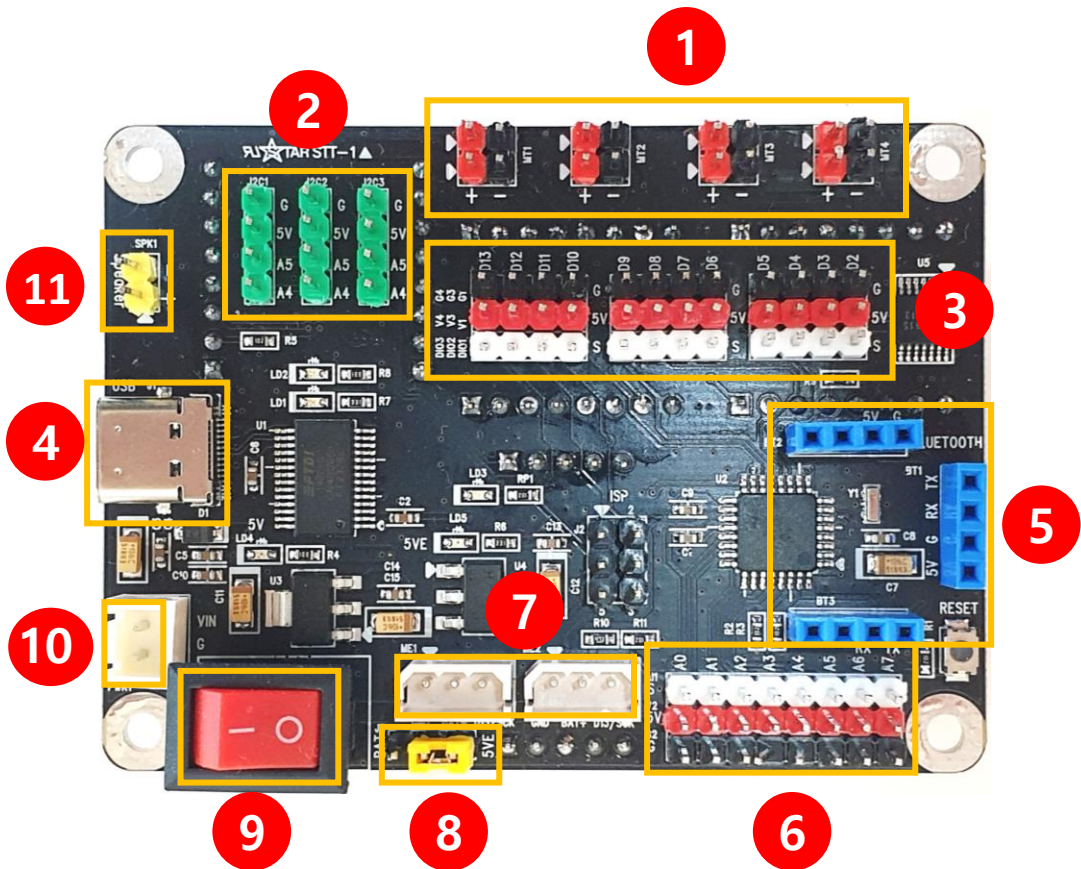
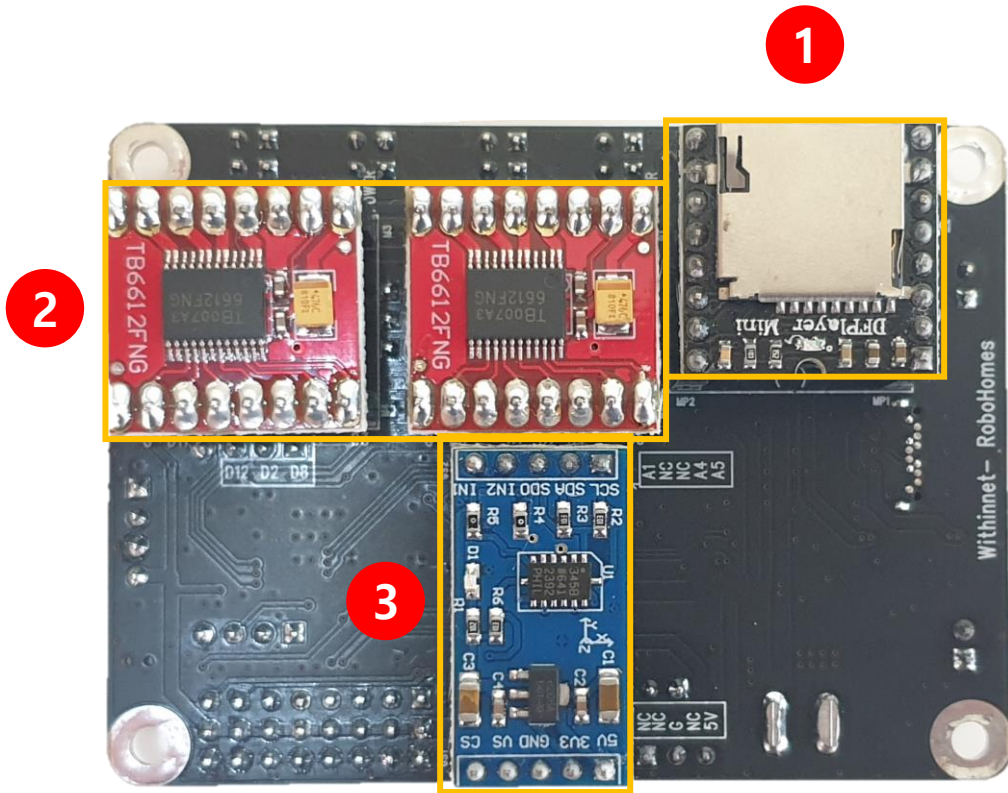


Withinno Multi Board Manual



< Front side >

- 1** DC motor port 2 pin terminals (8 in total): +(red), -(black)
MT1 (D4, D5), MT2 (D6, D7), MT3 (D3, D8), MT4 (D11, D12)
DC Motor Start and Stop Port Terminal (D2)
- 2** Terminal I2C : A4(SDA), A5(SDL), +5V, GND
- 3** Digital input/output terminal D2~D13
- 4** USB C type program download port terminal.
- 5** Bluetooth port terminal. : TX(D0), RX(D1), 5V, GND
- 6** Analog port terminal: A0~A7
- 7** TTL Motor Terminal: D13
- 8** Pin mode: The digital input/output terminals D2 to 13 are in a battery voltage mode and a 5V voltage mode
- 9** Power switch
- 10** Power up to 12v
- 11** Speaker terminal(+,-)



<The back>

- 1 MP3 module terminal : DFPlayer Mini(D9, D10)
- 2 DC module termina : TB6612FNG
- 3 Gyro sensor module terminal: ADXL345

Withinno Multi Board size

