



IMPORTANT HEALTH & SAFETY INFORMATION

Danger Strong Magnetic Field. No Pacemakers, Implanted Defibrillators, Metal Implants, Loose Metal Objects, Hearing Aids, Cell Phones Or Pagers Allowed. Authorized Professional Personnel Only.

Magforce does not accept any responsibility for damage caused by the improper handling of magnets. Our magnets have a significant amount of magnetic power and, if mishandled, can be dangerous.

It is easy to get injured by magnets and lack of concentration is the single biggest cause of injury when handling magnets.

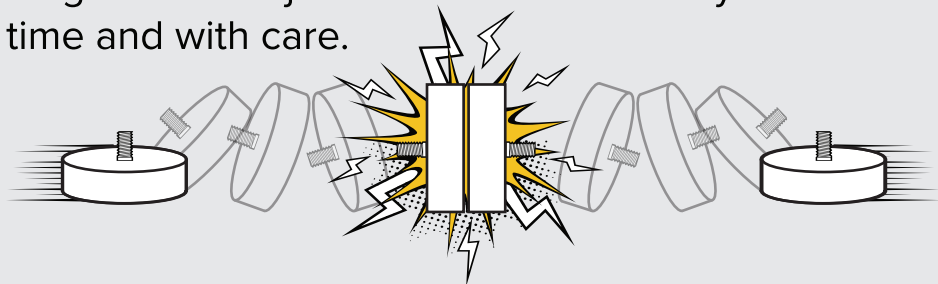
- Always wear safety goggles when handling strong magnets.
- Always wear gloves when handling magnets to prevent pinching.
- Children should NEVER be allowed to play with magnets.

WARNING: *If more than one magnet is swallowed, they can attract each other through the walls of the intestines, get stuck and pinch the digestive tract causing major swelling and even life-threatening injuries requiring surgery. Always keep all magnets out of the reach of children.*

Tech items that you should keep away from magnets.

- Credit or debit Cards that may have a magnetic stripe
- Computer Hard Drives
- Phones
- Televisions
- Pacemakers
- Anything with Magnetic Data

Warning: Two magnets can leap together with extreme speed and great force if placed loosely apart. This can cause damage to magnets and injuries to hands and body. Handle magnets one at a time and with care.



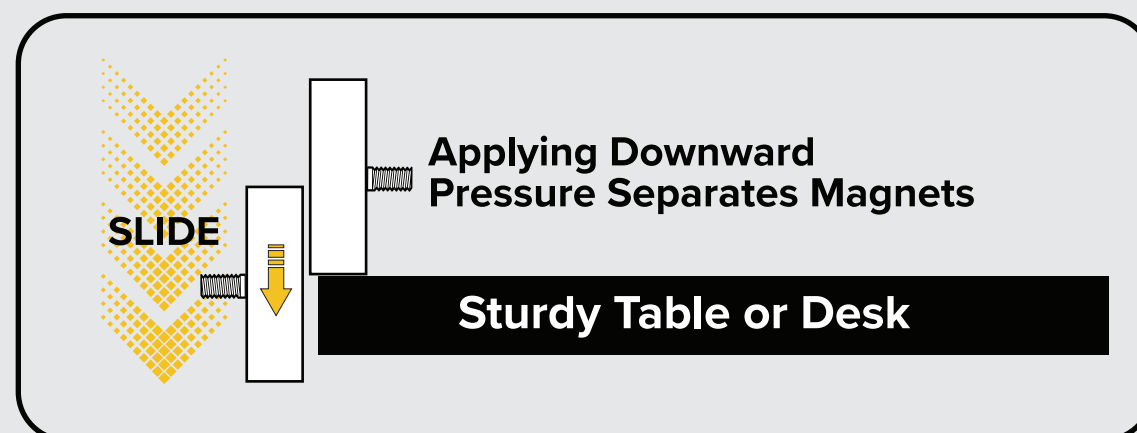
Warning: This product contains chemicals known to the state of California to cause cancer and birth defects or other reproductive harm.

Recommendations on Handling Magnets Safely

- Use eye protection and work gloves when working with magnets.
- Pay close attention when you are separating or handling magnets.
- To separate attached magnets, grasp one magnet, and slide it off in a downward motion, pulling it away quickly.
- Work on a metal table or surface, so that magnets stay where you set them and don't jump together.
- When you have magnets in both hands, remember to keep your hands far apart.
- Do not drill or machine magnets.
- Seek immediate medical attention for any serious injuries.
- Magforce magnets will retain their magnetism and integrity when handled, utilized and protected properly.

Separating attached magnets

Use a sturdy table or desk and overhang one magnet. Apply strong downward pressure to separate. Once separated, keep moving the magnet to a safe distance. **Handling Tip:** It's 5x easier to slide magnets apart than it is to pull them apart.

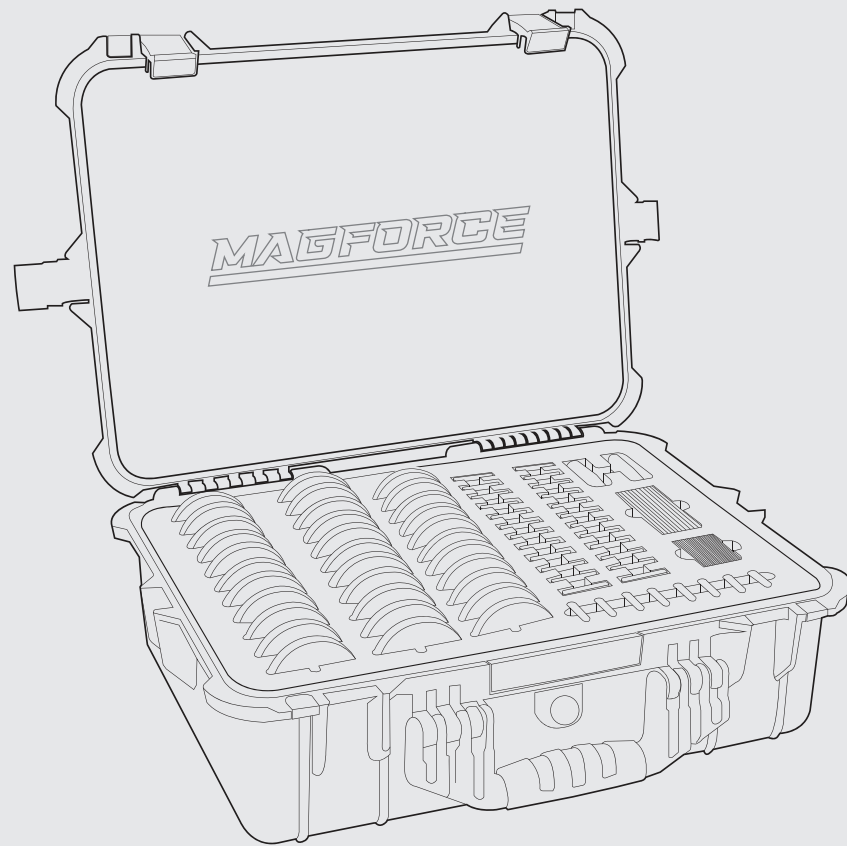
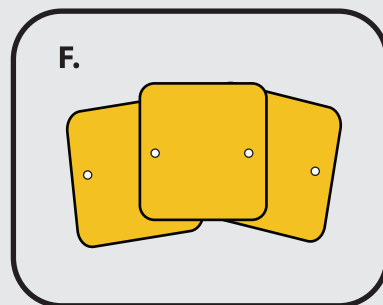
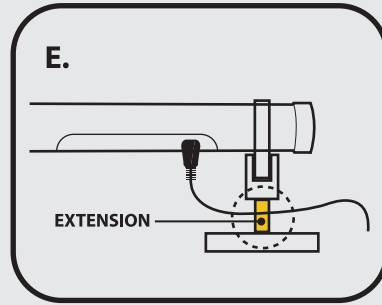
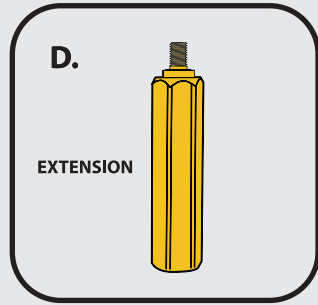
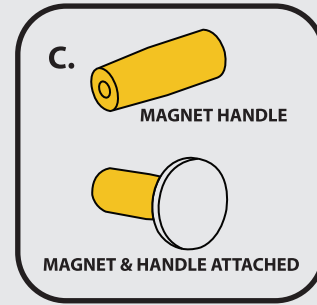
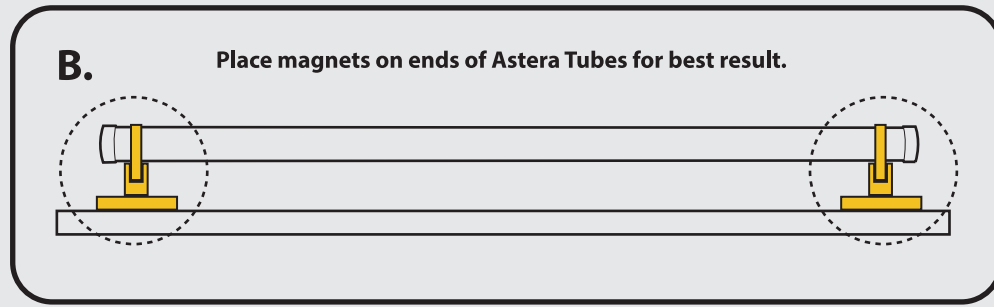
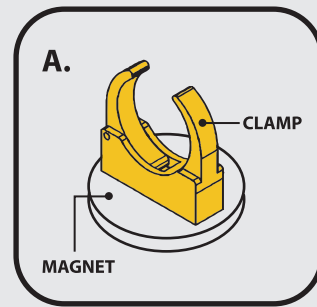


MAGFORCE

For more information on Magforce products visit our website at www.magforcekit.com

Contact us: 954-578-8881
Email: info@icd-usa.com

3300 Davie Road, Suite #105,
Davie FL, 33314




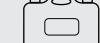




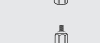
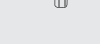


⚠ WARNING

Please read included health and safety sheet before using or handling Magforce magnets to avoid injury and damage.

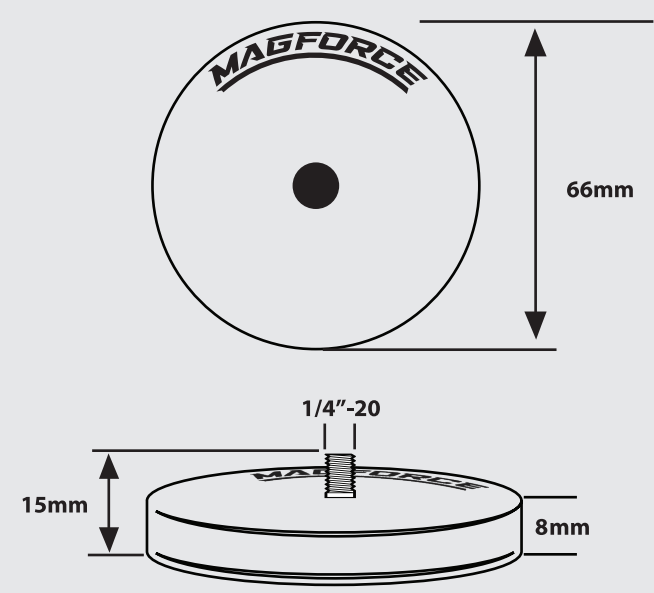
Magforce does not accept any responsibility for damage caused by the improper handling of magnets. Our magnets have a significant amount of magnetic power and if mishandled, can be dangerous.

Warning: This product contains chemicals known to the state of California to cause cancer and birth defects or other reproductive harm.

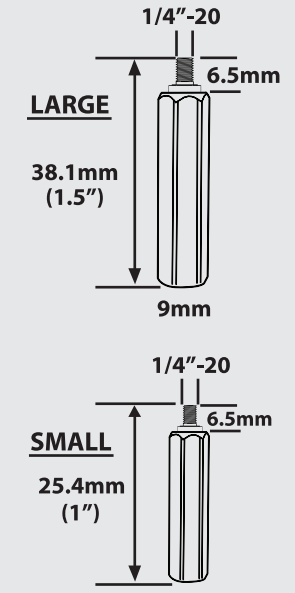
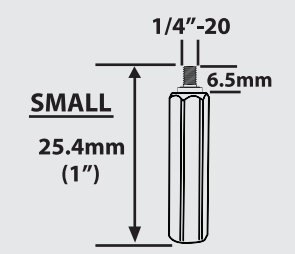
-  **MagF-66 B**
• Large Magnet (Black Color)
-  **MagF-66 W**
• Large Magnet (White Color)
-  **MagF-PHB**
• Plastic Pull Handle
-  **MagF-PCSM-L**
• Large Plastic Molded Case
-  **MagF-PCSM-S**
• Small Plastic Molded Case
-  **MagF-LSP-W**
• Large Magnet Plate (White Color)
-  **MagF-LSP-B**
• Large Magnet Plate (Black Color)
-  **MagF-SOSL**
• Long Extension Screw M6 to M6
-  **MagF-SOSS**
• Short Extension Screw M6 to M6
-  **MagF-SOSA**
• Adapter Screw M5 to M6

Contact us: 954-578-8881
 Email: info@icd-usa.com
 3300 Davie Road, Suite #105,
 Davie FL, 33314

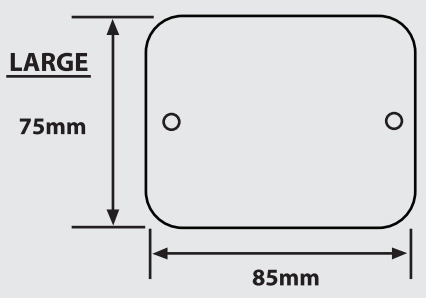
MAGNET DIMENSIONS



EXTENSION DIMENSIONS

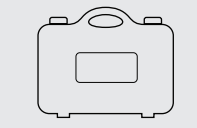



MAG PLATE DIMENSIONS

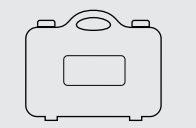


PULL FORCE	
LB.	KG.
48.502	22

Large Kit Weight
10kg/22lb



Small Kit Weight
5kg/11lb



Magnet Instructions and Damage Warning:

- Thread the clamp on the magnet before use. **(A)**
- Place magnet with a clamp at each end of Astera tube to distribute magnetic grip evenly to a metal surface **(B)**
- Do not stick magnet surfaces together. It May cause damage to the magnet.
- If stuck together, do not use a tool to pry apart magnets. It may cause damage to magnets.
- If stuck together, thread a magnet handle on each magnet and pull it apart. **(C)**
- If no magnet handle is available, use a sturdy table or desk and overhang one magnet and apply strong downward pressure on the other to separate. Once separated, keep moving the magnet to a safe distance.

Extension Instructions and Damage Warning:

- Extensions **(D)** allow Astera DC plug to be easily connected when using magnets **(E)**
- With exception to fixtures hung from the ceiling, the manufacturer cautions the use of extensions with magnets on fixtures only be used in vertical (North-South) orientation when applied to wall surfaces. The horizontal orientation of fixtures on wall surfaces using extensions with magnets may cause the fixture to fall.

Mag Plate Instructions and Damage Warning:

- 3M Adhesive Mag Plates **(F)** can be used on almost any smooth surface, including drywall, stucco, or concrete.
- Clean and remove all surface residue before applying the adhesive side of the mag plate.
- Remove the adhesive paper label and place the sticky side of the mag plate on a flat surface. (The manufacturer does not recommend using painter's tape to tape adhesive plates to any surface.)
- After adhering the mag plate to the surface, firmly press each corner and center of the plate to make sure there is a firm grip. Please allow up to two minutes before applying magnets and fixtures to mag plates.
- Mag plates can be screwed to any wood surface.
- After use, mag plate adhesive may leave residue on the surface but can be cleaned with sticker remover.
- 3M Adhesive mag plates are a one-time use only item.

