


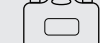




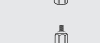
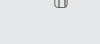


**⚠ WARNING**

Please read included health and safety sheet before using or handling Magforce magnets to avoid injury and damage.

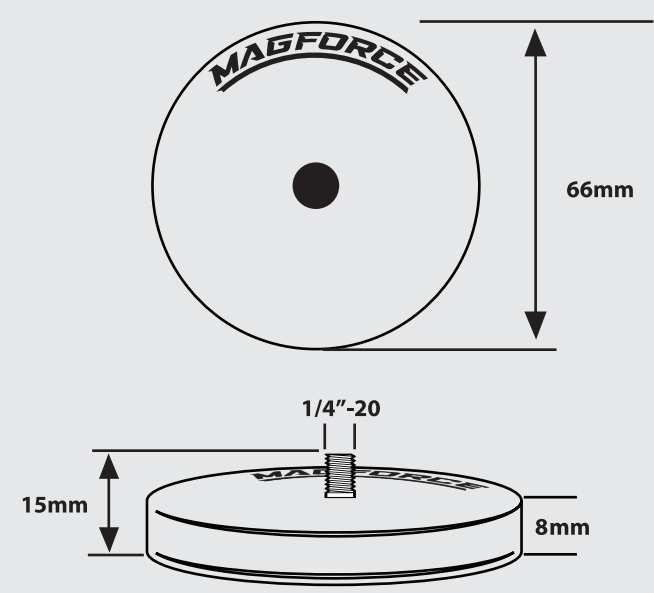
Magforce does not accept any responsibility for damage caused by the improper handling of magnets. Our magnets have a significant amount of magnetic power and if mishandled, can be dangerous.

Warning: This product contains chemicals known to the state of California to cause cancer and birth defects or other reproductive harm.

-  **MagF-66 B**  
• Large Magnet (Black Color)
-  **MagF-66 W**  
• Large Magnet (White Color)
-  **MagF-PHB**  
• Plastic Pull Handle
-  **MagF-PCSM-L**  
• Large Plastic Molded Case
-  **MagF-PCSM-S**  
• Small Plastic Molded Case
-  **MagF-LSP-W**  
• Large Magnet Plate (White Color)
-  **MagF-LSP-B**  
• Large Magnet Plate (Black Color)
-  **MagF-SOSL**  
• Long Extension Screw M6 to M6
-  **MagF-SOSS**  
• Short Extension Screw M6 to M6
-  **MagF-SOSA**  
• Adapter Screw M5 to M6

Contact us: 954-578-8881  
 Email: info@icd-usa.com  
 3300 Davie Road, Suite #105,  
 Davie FL, 33314

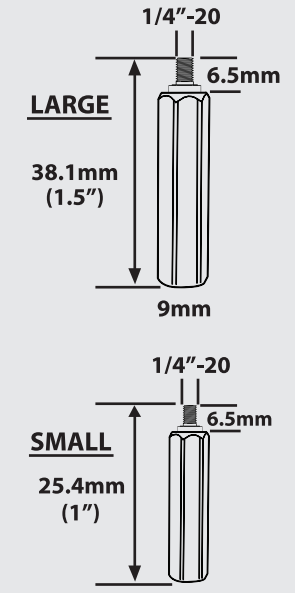
**MAGNET DIMENSIONS**



66mm

15mm

**EXTENSION DIMENSIONS**

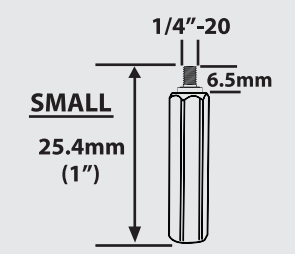


38.1mm (1.5")

9mm

1/4"-20

6.5mm



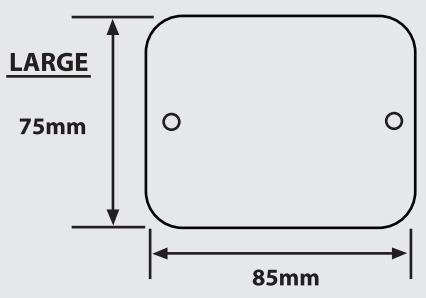
25.4mm (1")

9mm

1/4"-20

6.5mm

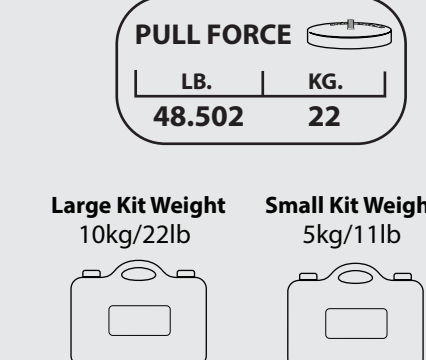
**MAG PLATE DIMENSIONS**



75mm

85mm

**LARGE**



**PULL FORCE**

LB.	KG.
48.502	22

Large Kit Weight: 10kg/22lb

Small Kit Weight: 5kg/11lb

**Magnet Instructions and Damage Warning:**

- Thread the clamp on the magnet before use. **(A)**
- Place magnet with a clamp at each end of Astera tube to distribute magnetic grip evenly to a metal surface **(B)**
- Do not stick magnet surfaces together. It May cause damage to the magnet.
- If stuck together, do not use a tool to pry apart magnets. It may cause damage to magnets.
- If stuck together, thread a magnet handle on each magnet and pull it apart. **(C)**
- If no magnet handle is available, use a sturdy table or desk and overhang one magnet and apply strong downward pressure on the other to separate. Once separated, keep moving the magnet to a safe distance.

**Extension Instructions and Damage Warning:**

- Extensions **(D)** allow Astera DC plug to be easily connected when using magnets **(E)**
- With exception to fixtures hung from the ceiling, the manufacturer cautions the use of extensions with magnets on fixtures only be used in vertical (North-South) orientation when applied to wall surfaces. The horizontal orientation of fixtures on wall surfaces using extensions with magnets may cause the fixture to fall.

**Mag Plate Instructions and Damage Warning:**

- 3M Adhesive Mag Plates **(F)** can be used on almost any smooth surface, including drywall, stucco, or concrete.
- Clean and remove all surface residue before applying the adhesive side of the mag plate.
- Remove the adhesive paper label and place the sticky side of the mag plate on a flat surface. (The manufacturer does not recommend using painter's tape to tape adhesive plates to any surface.)
- After adhering the mag plate to the surface, firmly press each corner and center of the plate to make sure there is a firm grip. Please allow up to two minutes before applying magnets and fixtures to mag plates.
- Mag plates can be screwed to any wood surface.
- After use, mag plate adhesive may leave residue on the surface but can be cleaned with sticker remover.
- 3M Adhesive mag plates are a one-time use only item.

