

Joybos® Freestanding Kitchen Pantry Storage Cabinet with Pegboard Wall

---Installation Instruction

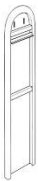


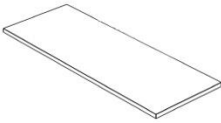

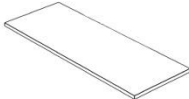
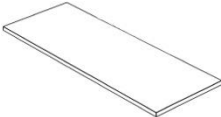


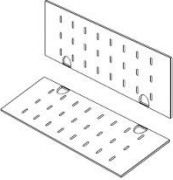
Please Attention:

1. Before installation, please refer to the parts list to check the number of accessories and whether there is any damage. If you find any errors, missing or damaged, please contact us at your early convenience via email (service@joybos.com) and send us photos of the items you received, we will assist you to resolve soon.
2. The product could be installed without screws, you just need to insert buckles. Please ensure that the buckles are fully pressed during installation.

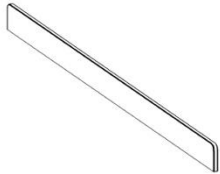
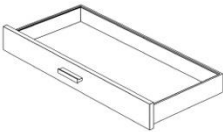
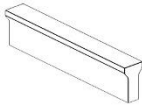
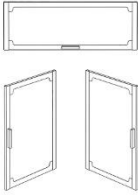
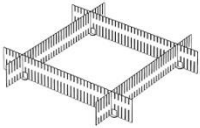
1、 Product demonstration

2、 Parts list


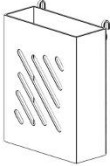


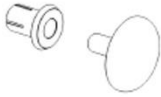


Part 1:

NO.	A	B	C	D	E
Pic.					
Name	Left Side Frame	Right Side Frame	Bottom Mount	Shelf Divider	Small Laminate
Qty.	1	1	1	1	2
NO.	F	G	H	I	J
Pic.					
Name	Mid Laminate	Big Laminate	Narrow Backplate	Wide Backplate	Pegboard
Qty.	1	1	3	1	2

Part 2:

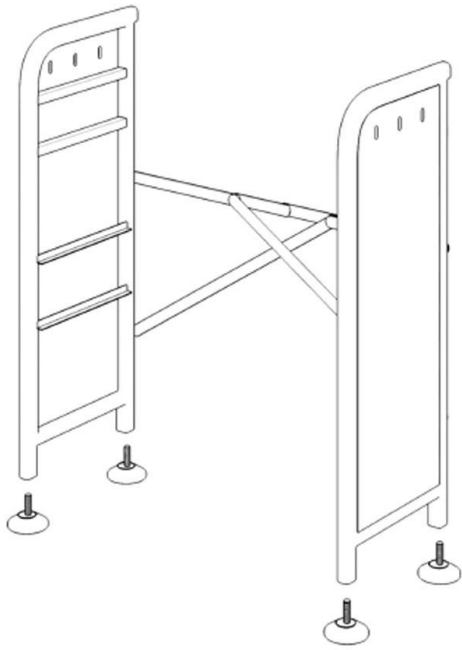
NO.	K	L	M	N	O
Pic.					
Name	Horizontal Pipe	Drawer	Handle	Cabinet Door	Drawer Divider
Qty.	1	1	4	3	4

Part 3:

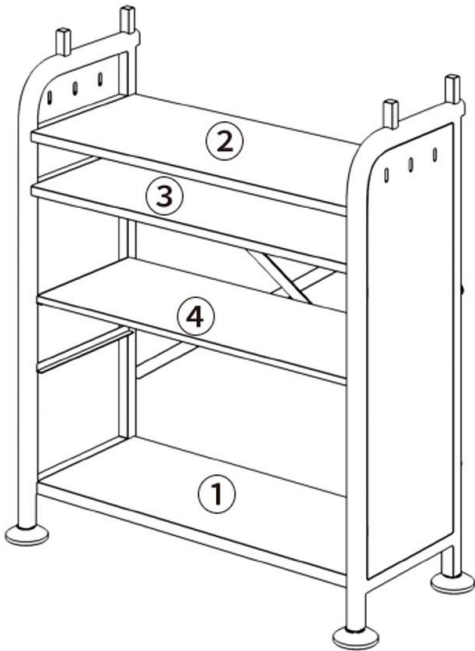
NO.	P	Q	R	S	T
Pic.					
Name	Storage Box	Chopsticks Cage	Holder	Foot Pad	Expansion Plug
Qty.	2	1	8	4	8
NO.	U	V			
Pic.					
Name	Hexagon Wrench	Screw			
Qty.	1	8			

3、Installation steps

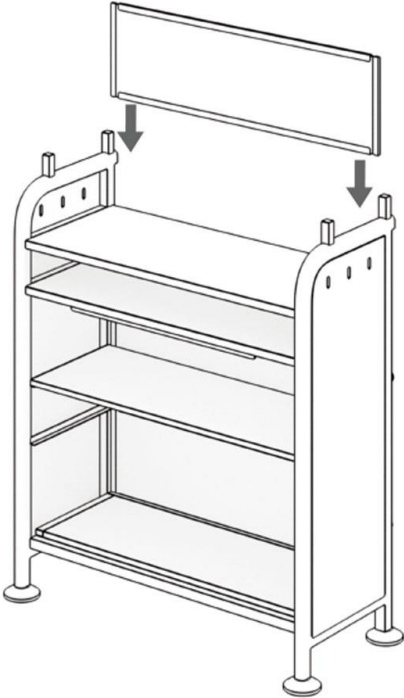
1. Expand the bottom mount and install the foot pads;



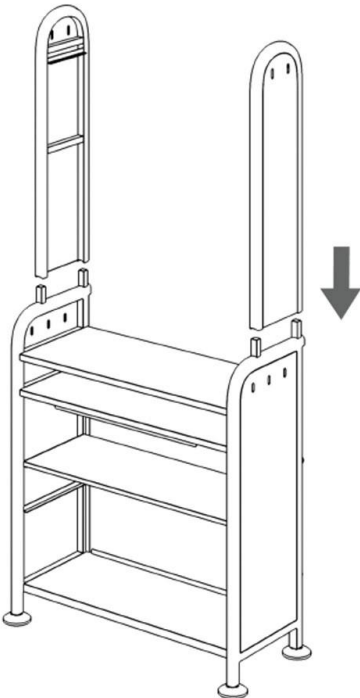
2. Install the Big Laminate, Horizontal Pipe, Mid Laminate, and Shelf Divider in sequence;



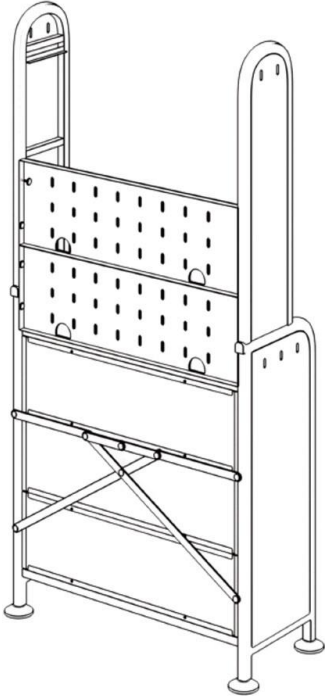
3. Insert the Narrow Backplates sequentially;



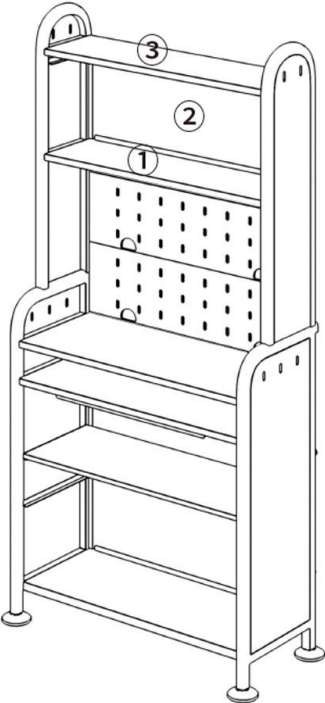
4. After aligning the interface, press the spring and insert it into the left and right side frames respectively;



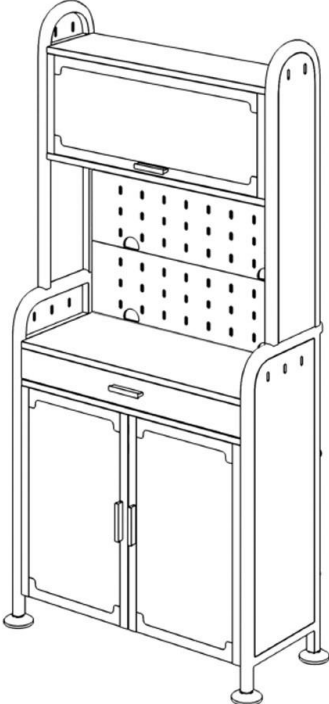
5. Install the Pegboards;



6. Install the two Small Laminates and Wide Backplate;



7. Install handles on Cabinet Doors and Drawers, and install Cabinet Doors;



8. After installing the Drawer Dividers assembly.

