



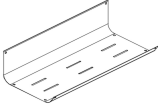
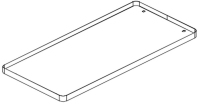



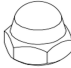



Joybos® 5 Tier Metal Stackable Storage Cart with Wheels

---Installation Instruction

1、 Product demonstration(Five-layer)



2、Parts list

NO.	A	B	C	D	E	F
Pic.						
Name	Plate on the Left Side	Plate on the Right Side	Bottom Plate	Top of the Bottom Frame	Two Cardan Wheels with Brakes	Cardan Wheels without Brakes
Qty.	5	5	5	1	2	2
NO.	G	H	J	K	L	
Pic.						
Name	Plate on the Left Side	Plate on the Right Side	Bottom Plate	Top of the Bottom Frame	Two Cardan Wheels with Brakes	
Qty.	40	44	1	1	1	

3、Installation steps

Step 1: Place the bottom plate on the left and right side racks and secure it with flat-head bevel screws and cap nuts, as shown in Figure 1;

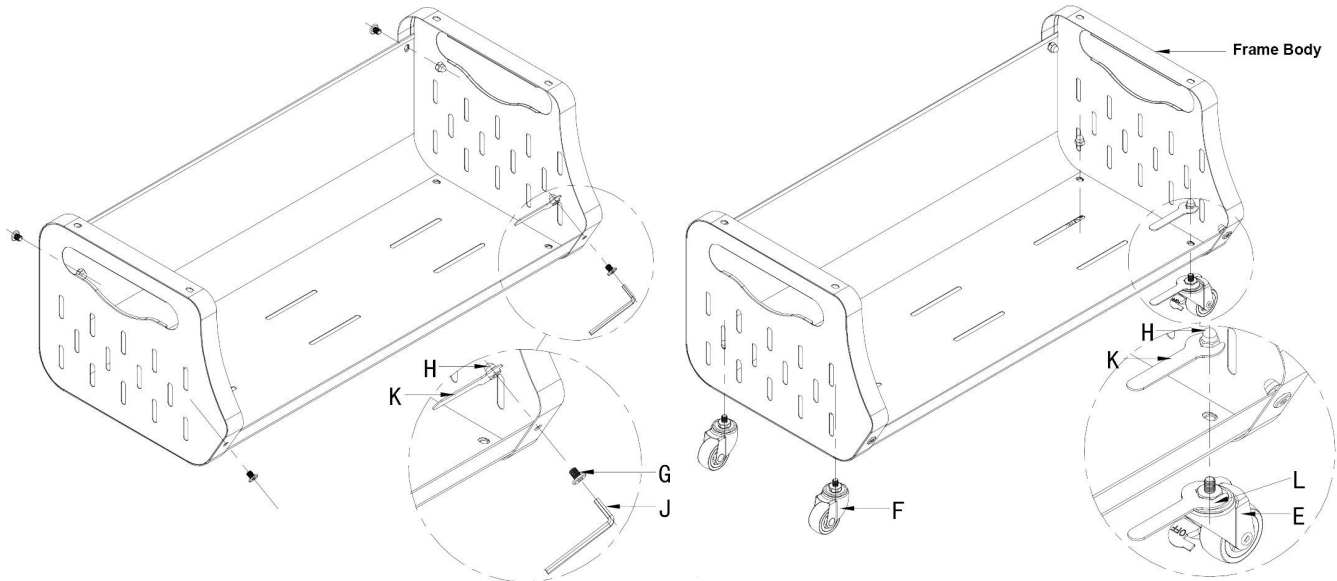


Figure 1

Figure 2

Step 2: The assembled frame body is fixed with two Cardan wheels with brakes and two Cardan wheels without brakes respectively, as shown in Figure 2;

Step 3: Fix the H、E、X frame/tray to the top of the bottom frame assembly with the flat head bevel screw and cap nuts, as shown in Figure 3,

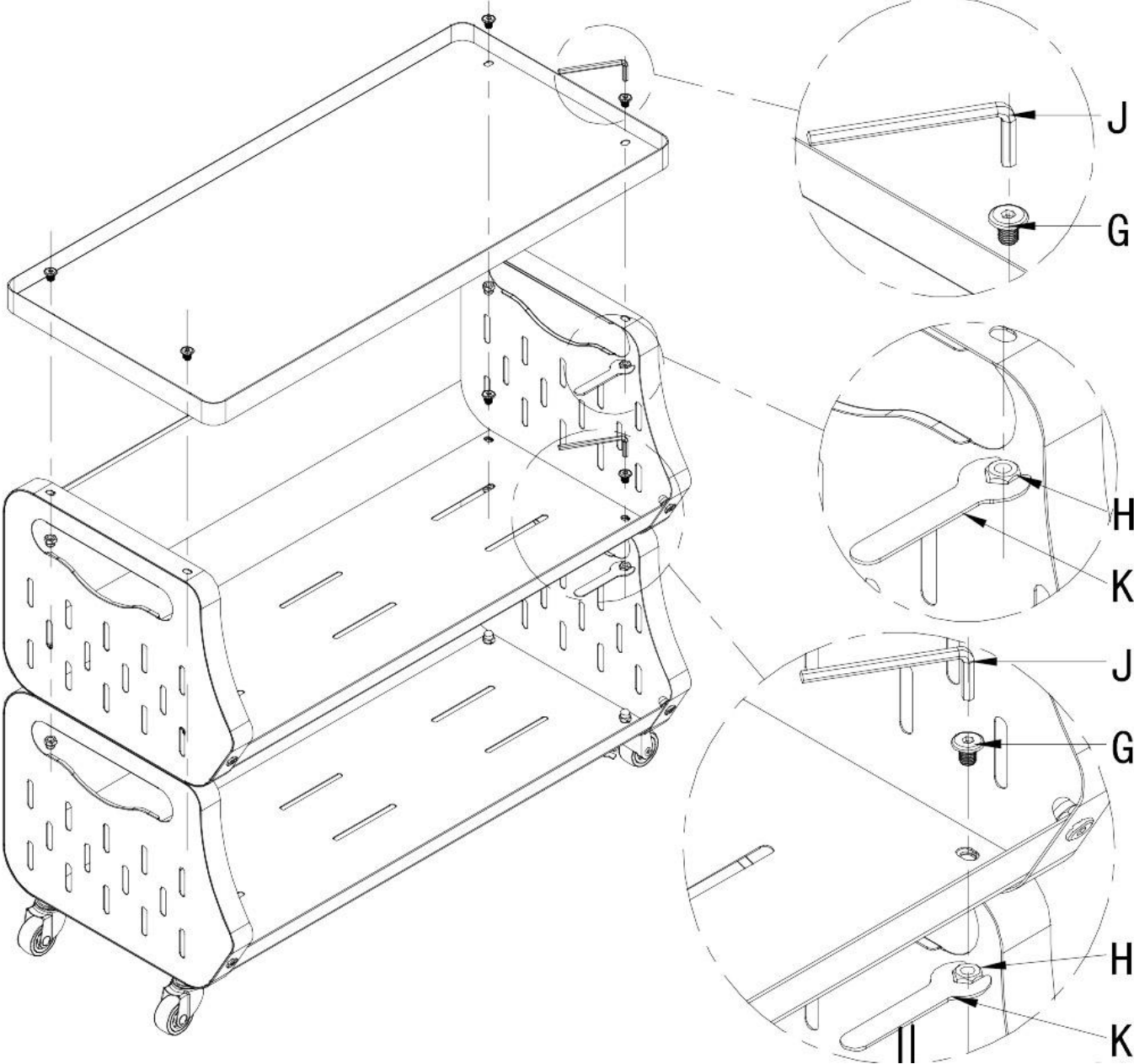


Figure 3