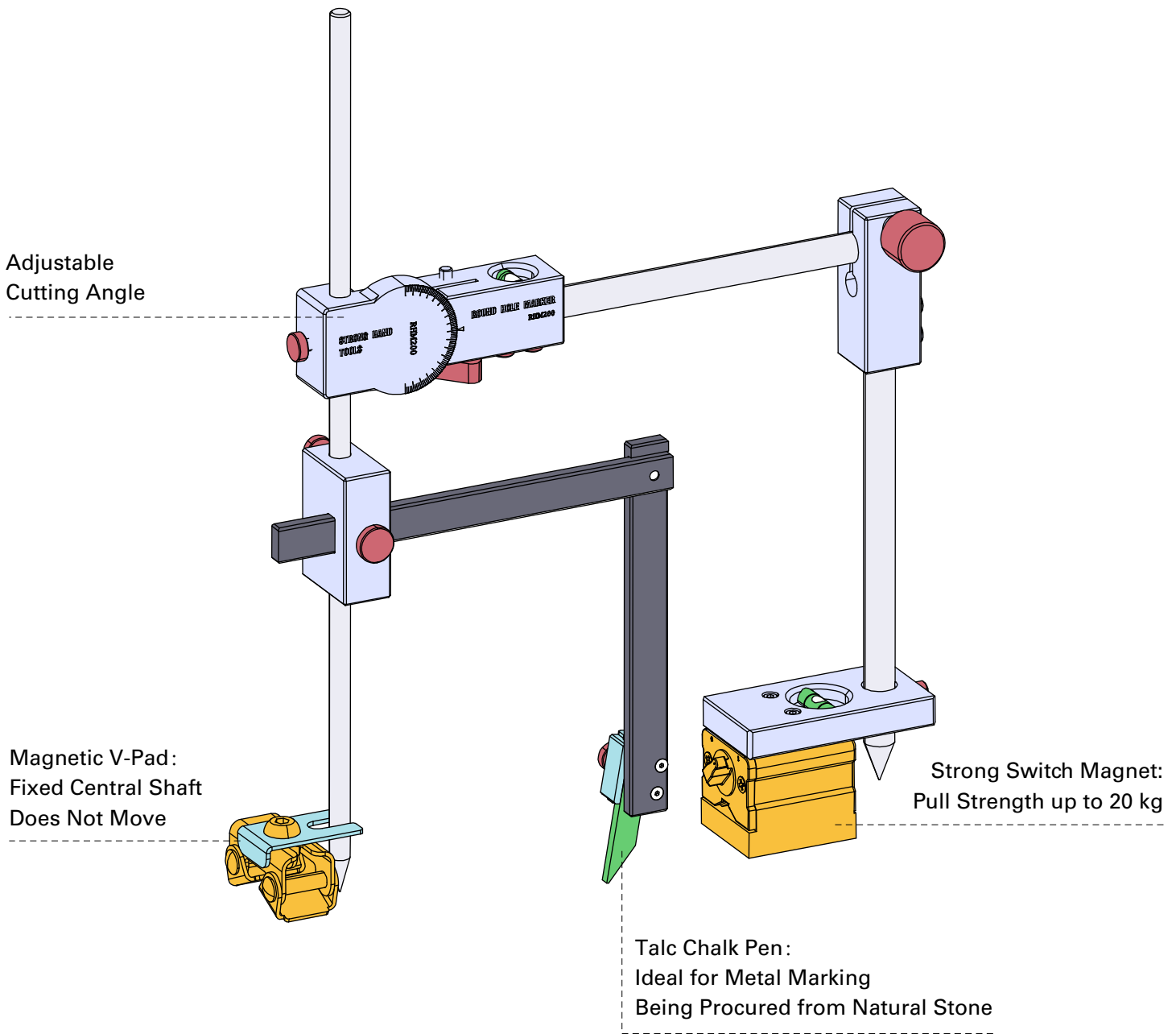


ROUND HOLE MARKER (Part No. RHM200)



USE GUIDE:

1. Draw a cutting line on the pipe from 2" to 10".
2. Draw a cutting line from 2" to 12" on the plane.

FEATURE:

1. The Magnetic V-Pad can firmly fix the central shaft to avoid movement.