

Model HS3S

This manual segmented folding machine is strong, easy to handle and above all versatile. It can be used both as classical folding machine with the added advantage of a very good folding capacity and by using the segments, designed to shape low-height boxes.

The HS3S manual folding machine is perfectly suitable for metalwork in small series in steel, stainless steel or alu, up to 2 mm depending on the used material.

A universal and multi-purpose folding machine!



Model HS3S

Product PLUS

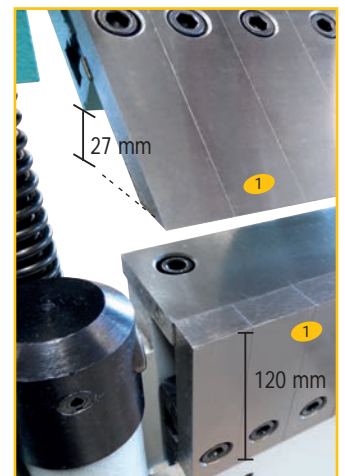
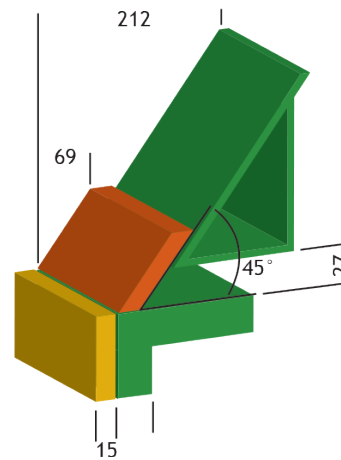
- + Key type clamp and folding beam
- + Automatic clamp locking
- + Strong cylinder for a more powerful folding
- + Folding radius adjustable from the front of the machine
- + Sturdy and stable design for a good folding quality



Folding machine also available in 1 m (Ref. HS2S)

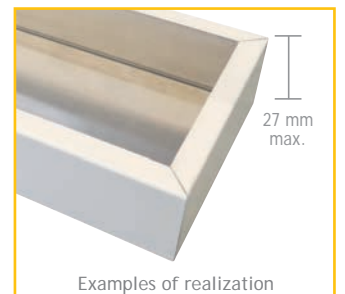
Features HS3S

	HS3S
Useful folding length (mm)	1 270
Capacity stainless steel / alu	1,0 / 2,0
Capacity steel S235JR (mm)	1,5
Maximum folding angle	135°
Clamp opening (mm)	45
Height of the folding beam keys (mm)	120
Useful height of keys (mm)	27
Dimensions (mm)	1 600 x 900
Gross weight (kg)	360



Standard equipment

- Key type clamp and folding beam **1**
- Foot-operated clamp tightening to keep the hands free during positioning and adjustment of the part to be folded **2**
- Automatic clamp locking **3**
- Height adjustment of the folding beam to change the folding radius acc. to thickness / material **4**
- Adjustment of the height and the clamping pressure **5**
- Adjustment of the angle gauge to make mass folds
- Segments in hardened steel
- Central lever to operate the folding beam
- Key for segment removal included



Segments distribution - HS3S

Nb of segments: 12

Width (mm)	25	30	35	40	45	50	75	100	150	200	250	270
Quantity	1	1	1	1	1	1	1	1	1	1	1	1

