

Thank you for your purchase of the Clyn portable CPAP cleaner. We are committed to providing innovative and safe methods that can improve the health and well-being of our customers. This disinfecting machine, with proven activated oxygen (ozone), kills 99.99% of germs, bacteria, and other pathogens. You can sanitize your CPAP machine, mask, and tubing completely through a stream of controlled activated oxygen for approximately 30 minutes. The entire care free and dry sanitization process requires no water, soap, or liquid cleaning.

IMPORTANT SAFETY INSTRUCTIONS

Danger

- To avoid electrocution, do not operate this device near water.
- Do not operate this device near fire.
- Keep away from children. It is not a toy!
- Do not use in explosive air environments, near gas vapors, or other flammables, etc.

• 1 •

-Do not place any items on top of the Clyn unit, particularly flammables or ignitable items.

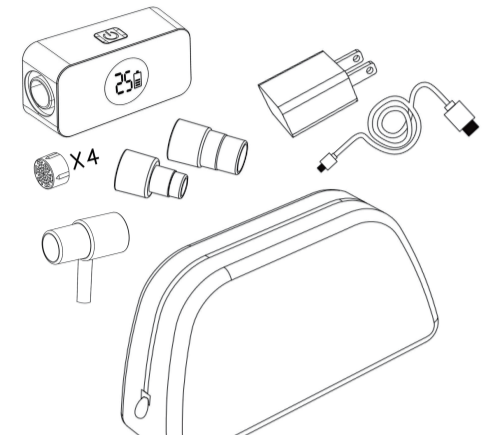
Warning

- Before use, ensure that all packaging materials are removed and that there is no visible damage to the unit or accessories. When in doubt, do not use the unit and contact customer service : register@shopclyn.com
- Do not dismantle the Clyn unit.
- Please be aware that there are sensitive electronics inside the unit. If you need to clean your Clyn, wipe with a damp cloth.
- This device design is based on the best sanitization performance. Do not change any settings.
- Read this user manual carefully before use the device and save this manual for future reference.

• 2 •

PACKAGE CONTENTS

- 1 x Clyn Device
- 1 x Travel Bag
- 1 x Power Cable
- 1 x A/C Charger
- 1 x Heated Hose Adapter
- 1 x Adapter for Airmini Hose
- 1 x T-Shaped Adapter (Optional)
- 4 X Carbon Filter



• 3 •

INTRODUCTION

The Clyn is a general, Positive Airway Pressure (PAP) disinfecting unit and is intended to be used in the home and for travel. Those who use Continuous Positive Airway Pressure (CPAP) or Obstructive Sleep Apnea (OSA) treatment can use the Clyn as a daily disinfectant or for the added benefit of a thorough disinfecting in addition to daily cleaning. The Clyn has optimized its sanitization cycle to 30 minutes that includes 20 minutes with activated oxygen and 10 minutes with fresh air blowing for reducing the ozone odor. Always follow your specific CPAP manufacturer's cleaning and replacement guidelines. Clyn should only be used as a supplement and not a replacement to manufacturer's guidelines.

• 4 •

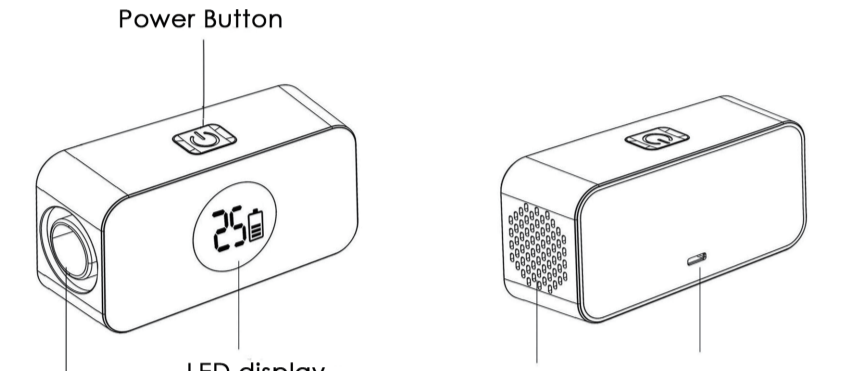
OPERATION INSTRUCTION

To Clean Mask and Tubing

- Disconnect the CPAP end of the tubing from your CPAP machine and connect the CPAP end to the Clyn. If you have a heated hose, you may need the heated hose adapter included to connect your hose to the Clyn.
- Place your full face mask or nasal mask in the sanitizing bag and zip your bag.
- Press and hold the power button for 2 seconds until the buzzer beeps and the LCD screen displays the countdown timer and battery indicator.
- Activated oxygen will stream for 20 minutes then the device will circulate fresh air for 10 minutes. The last 10 minutes of fresh air will remove most of the residual ozone, which may be unpleasant to some users.
- At the end of the programmed sanitization cycle, the device will automatically power off and five beeps will sound. The LCD screen will turn off.

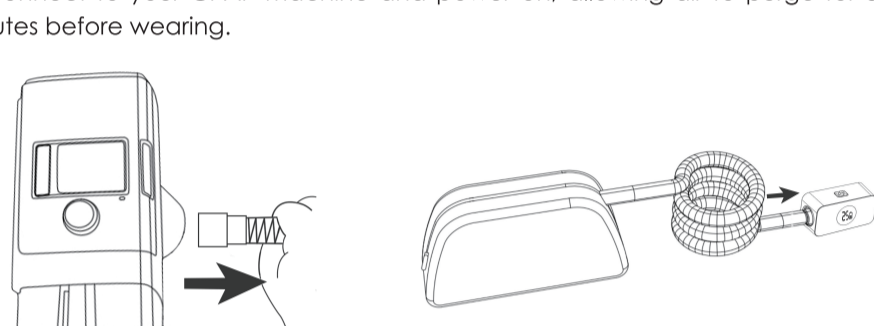
• 6 •

Power Button



• 5 •

- To manually turn off the power during the sanitization process, press and hold the power button for 2 seconds. One long beep will sound and the LCD screen will turn off.
- After the sanitization process, wait for 30 to 60 minutes before using the CPAP mask to ensure any odor has dissipated.
- Reconnect to your CPAP machine and power on, allowing air to purge for 3-5 minutes before wearing.



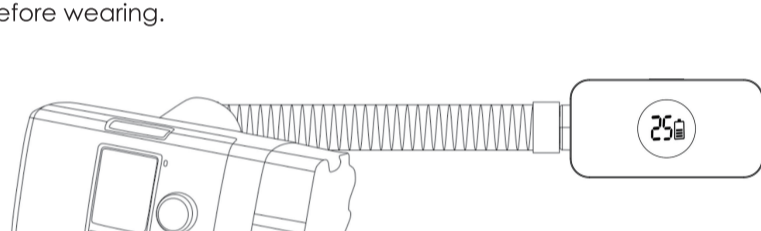
• 7 •

To Clean CPAP Machine and Humidifier

- Power off your CPAP machine before sanitization. For a CPAP machine configured with a humidifier, drain water in reservoir before starting the sanitization process.
- Disconnect the mask end of the tubing from your CPAP mask and connect the mask end of the tubing to the Clyn. If you have problem to connect the mask end to the Clyn, please check if there is a plastic ring stuck in your hose and take it out.
- Press and hold the power button for 2 seconds until the buzzer beeps and the LCD screen displays the countdown timer and battery indicator.
- Activated oxygen will stream for 20 minutes then the device will circulate fresh air for 10 minutes. The last 10 minutes of fresh air will remove most of the residual ozone, which may have any unpleasant smell to some users.
- After the 30-minute programmed sanitization cycle, the device will automatically power off and five beeps will sound. The LCD screen will turn off.

• 8 •

- The sanitization process can disinfect both the CPAP machine and the humidifier in one sanitization cycle.
- To manually turn off the power during the sanitization process, press and hold the power button for 2 seconds. The machine will sound one long beep and the LCD screen will turn off.
- After sanitization process, wait for 60 to 120 minutes before using the CPAP machine to ensure any odor has dissipated.
- Reconnect to your CPAP mask and power on, allowing air to purge for 3-5 minutes before wearing.



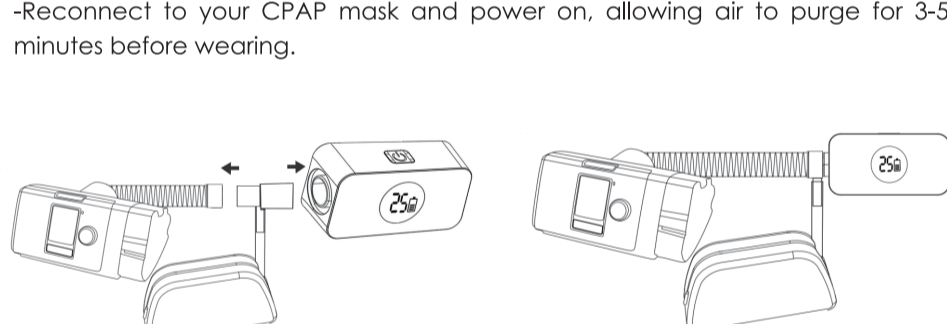
• 9 •

To Clean Mask and Machine Simultaneously

- Plug the T-shaped adapter to the Clyn. Disconnect your hose from the CPAP mask and connect the mask end of the hose to the T-shaped adapter and Clyn. (Ensure the machine end of the hose is still connected with your CPAP machine.)
- If you have problem to connect the mask end to the T-shaped adapter, please check if there is a plastic ring stuck in your hose and take it out.
- Place your full face or nasal mask in the sanitizing bag and insert the 10mm small clear hose, then zip the bag.
- Press and hold the power button for 2 seconds until the buzzer beeps and the LCD screen lights.
- Activated oxygen will stream for 20 minutes then the device will circulate fresh air for 10 minutes. The last 10 minutes of fresh air will remove most of the residual ozone.
- After the programmed sanitization cycle of 30 minutes, the device will automatically power off and five beeps will sound. The LCD screen will turn off.

• 10 •

- To manually turn off the power during the sanitization process, press and hold the power button for 2 seconds. The machine will sound one long beep and the LCD screen will turn off.
- After sanitization process, wait for 60 to 120 minutes before using the CPAP mask and machine to ensure the odor has dissipated.
- Reconnect to your CPAP mask and power on, allowing air to purge for 3-5 minutes before wearing.



• 11 •

Install the Cartridge Filter

- Your cartridge filter may experience some settling during shipping. There may be black particles in the packaging or on the cartridge filter itself. This is completely normal. Please just wipe off the black particles with a CPAP wipe.
- Place the new filter into the big end of the adapter you want to use, with the direction indicated on the filter.
- Plug the adapter to your Clyn device.
- We suggest you to replace the filter every 3 months. Please contact the manufacturer to reorder the filters.



• 12 •

RESMED Air mini Adapter

If you have a RESMED AirMini CPAP machine, use the AirMini adaptor included to easily connect both ends of the RESMED AirMini tubing to the Clyn. The T-shaped adapter is not compatible with AirMini CPAP machine.

Charging the Battery

- The Clyn device includes a built-in rechargeable battery. To charge the battery, connect the USB cable to the charging port and the A/C adapter. Insert the A/C adapter into a power outlet.
- For the best battery performance and battery life, power off the device while charging.
- The time required to recharge the battery will vary depending on the ambient temperature and the battery's remaining capacity. Normally the charging time is three hours.

• 13 •

When the battery is running low, the battery indicator blinks. The device will continue to operate until the battery is completely drained. However, a partially charged unit may not complete a sanitization cycle. We recommend the user charges the device as soon as the low battery indicator flashes.



• 14 •

FAQ

- Will my CPAP equipment be wet from the Clyn?
No. The Clyn disinfects with activated oxygen. No fluids or water are used in the process.
- Does it clean the entire CPAP machine?
Yes. The Clyn is designed to clean the CPAP machine, and mask, and tubing.
- Does the Clyn need a filter?
The Clyn could be used without the filter. If you don't like the ozone smell, you could add a filter to remove the odor.
- Is the Clyn harmful to me or the environment?
No. The activated oxygen generator is always kept at a safe level and never reaches the outside environment.
- Does the Clyn work with a heated hose?
Yes. The heated hose adapter is included.
- How often should you use this device?
Once or twice a week is recommended.

• 15 •

- Does the Clyn include the bag?
Yes. The zipper travel bag is included. It is used for mask sanitization or to carry the device and accessories.
- My CPAP mask feels oily, what should I do?
Some individuals with oily skin may need to hand-wash the mask occasionally before sanitization.
- How many times can I use the Clyn with a full charge?
A fully charged unit provides 10 to 12 cleaning cycles.
- Why the Clyn is not compatible with my mask end of hose?
Check your mask end of hose and see if there is a plastic ring stuck in it, take it out.
- Does the Clyn gel tested and approved?
Yes, the Clyn is tested and approved by independent laboratory. Please contact with the manufacturer for more information.

• 16 •

TROUBLES SHOOTING

Problem	Solutions (Check)
The device does not work after turning on	Connect the device to the charger, plug the charger into power outlet. After charging, turn on the device.
Charging indicator does not light	Check the charger and USB cable connection.
Device stops suddenly	Battery is used up. Charge the device.
Device is not working even though it is fully charged	check to see if the USB cable is broken or if the A/C adapter is faulty. If that does not solve the problem, please contact with the manufacturer for repair/ replacement at support@clyncare.com
The device does not stop automatically	Turn off the power on the device again. If that does not solve the problem, please contact with the manufacturer for repair/ replacement at support@clyncare.com
LCD screen is failed to display	Turn on the device again. If that does not solve the problem, please contact with the manufacturer for repair/ replacement at support@clyncare.com
The Clyn is not compatible with hose	Disconnect your mask and check if there is a plastic ring stuck in your hose (it should be a part from your mask), use the tool to take this ring out.
Missing accessories	Please contact with the manufacturer for replacement

• 17 •

CARE AND CLEANING

- Before cleaning the device, always switch it off and unplug it.
- Do not immerse device in water or other liquids. Use a slightly damp cloth to clean the device. Do not use abrasive detergents.
- Do not touch the unit with wet hands while it is plugged in. Do not allow any water to be sprayed onto the unit. The device must be operated only when it is completely dry.
- If you are not going to use the device for an extended period of time, disconnect it and store it in a dry and safe place.

SPECIFICATIONS

Model: CZ001
Dimensions: 110 x 56 x 42 cm
Weight: 200g
Rechargeable Battery: 2600mAh

• 18 •

Power: 4W
Power: AC 100-240V, 50/60Hz
Operation Conditions: 50°F to 95°F, 10-95% relative humidity
Storage Conditions: -4°F to 122°F, 10-95% relative humidity
Certification: FCC, FDA

WARRANTY AND SERVICE

Thank you for choosing the Clyn. We guarantee your investment in our product is a solid one. Extensive thought, research, planning, and design go into every product we make. High-quality components combined with precision manufacturing allow us to maintain the highest possible production standards. All items are guaranteed against defects in materials and craftsmanship.

Clyn products come with a complete one-year parts and labor warranty. This warranty is non-transferable and proof of purchase required

• 19 •

when seeking warranty assistance. Clyn has outstanding quality control. If something should go wrong with any of our products, we will repair it free of charge. If the product cannot be repaired, we will replace the product. If the product has been discontinued, we will replace the product with either the newest version of said product or current equivalent.

This warranty shall not apply to:

- Any defects caused or repairs required as a result of abusive operation, negligence, accident, improper installation, or inappropriate use as outlined in the owner's manual.
- Any Clyn tampered with, modified, adjusted, or repaired by any party other than Clyn.
- Any cosmetic damage to the surface or exterior that has been defaced or caused by normal wear and tear.

• 20 •

- Any damage caused by external or environmental conditions, including but not limited to transmission line/power line voltage or liquid spillage.
- Any products used for rental or commercial purposes.
- Any installation, setup and /or programming charges.

If your device displays a manufacturer's defect during the warranty period and does not function correctly, please contact our service team:
support@clyncare.com
Official Distributor : www.topcpapcleanser.com

• 21 •