



Support & Feedback

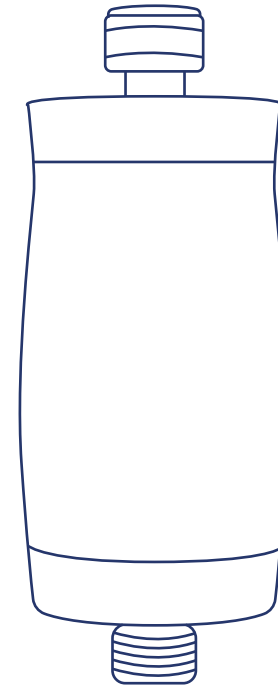
Thank you for purchasing and for joining us on a journey to protect our bodies and the environment.

If you need any help with any of our products, simply contact us at one of the methods below and we'll be happy to help :)

Email: love@earthswater.com



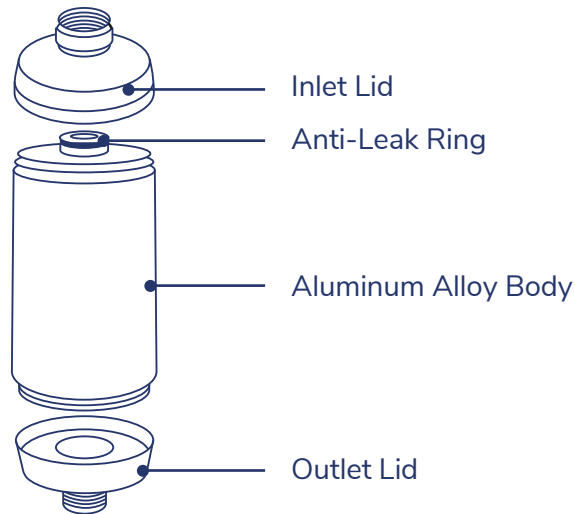
Premium Shower Filter



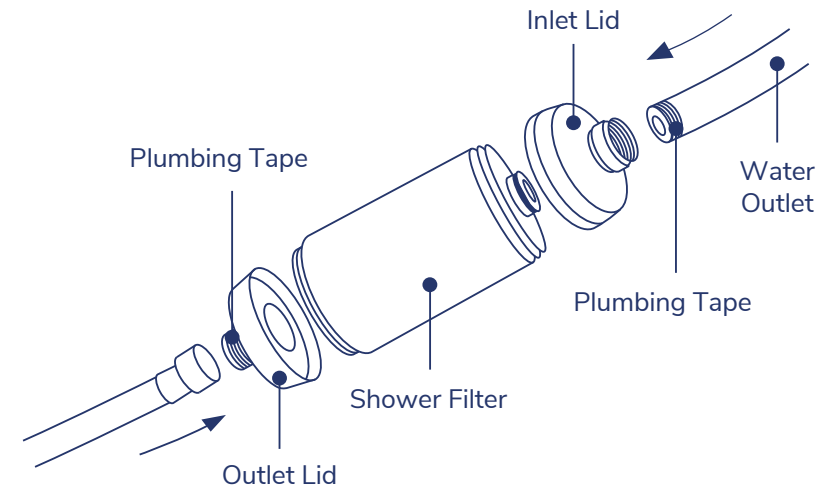
Make Your Water Earthly.

EARTHSWATER.COM

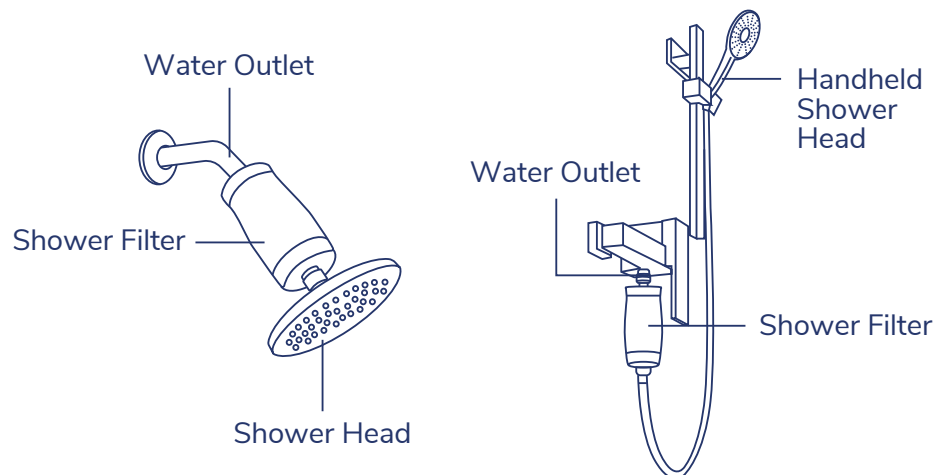
Product Parts



Installation



Installation Options



1. Remove Shower Head. Ensure tap is turned off before starting. Then remove the shower head fitting by unscrewing it from the water outlet.

2. Leak Proof Connections Wrap the existing water outlet with plumbing tape and the shower filter outlet with plumbing tape (3-4 turns each).

3. Attach Filter. Attach the filter to the water outlet by twisting clockwise until the filter is firmly attached.

4. Attach Shower Head. Attach the shower head to the filter outlet by twisting clockwise until it is firmly attached.

Important Notes:

- After installation, run the filter on the shower for 2-3 minutes to rinse before use.
- After installation, check for any leaks at the connection points. Tighten further if leaks appear.

Please note: if your water outlet is close to a wall, you may require an extender before you can install your filter.