

# Commercial Plus CP208s & CP208sOD



## Description:

Kinetico's CP series water softeners are highly advanced in design to offer flexibility in both set-up and operation. This flexibility enables the systems to operate in either an overdrive configuration, for maximum flow, or in an alternating configuration, for maximum efficiency. CP Series are commercial grade softeners that supply soft water without downtime.

Our high-capacity CP-Series water softeners are engineered to improve water with medium to high hardness levels used in applications with moderate to high water volumes.

## Specification

Product name	CP208s	CP208sOD
Part number	11201	
Width	432 mm	
Depth	203 mm	
Height	1168 mm	
Weight (Shipping/operating)	64 - 91 kg	

## Performance

Minimum flow	2 LPM	2 LPM
Flow rate @ 1 bar pressure drop (s)	43.5 LPM	78 LPM
Flow rate @ 2 bar pressure drop (s)	68.1 mg/l	114 mg/l
Hardness as CaCO <sub>3</sub> (max)	1,129 mg/l	1,129 mg/l
PH range	5 - 10 SU	5 - 10 SU

## System

Media vessel (qty) size	(2) 203 x 1,016 mm
Media/resin volume	2 x 20 litres
Maximum temperature	2 - 23°C
Inlet pressure range (min/max)	1 - 8.6 bar

## Features:

-  Non-electric
-  Metered regeneration
-  Soft water rinse
-  Twin tank design
-  Durable construction
-  Extra large salt capacity
-  High efficiency
-  High flow performance
-  Variable meter ranges
-  Tablet salt

Authorised Kinetico Dealer:

Basingstoke Softeners | Aldermaston Road, Pamber Green, Basingstoke, Hampshire, RG26 3AF  
 +44 (0)1256 703 346 | [sales@basingstokesofteners.com](mailto:sales@basingstokesofteners.com) | [basingstokesofteners.com](http://basingstokesofteners.com)

# Commercial Plus CP208s & CP208sOD

## Regeneration

Salt used	1.2 kg
Salt capacity	114 kg
Regeneration time	45 minutes
Regeneration volume	132 litres
Regeneration control	Non-electric

## Connections

Inlet/outlet connections	Custom Adapter and E-clip: 1" Male BSP as standard
Drain connection	1/2" Tube
Overflow connection	1/2" Tube

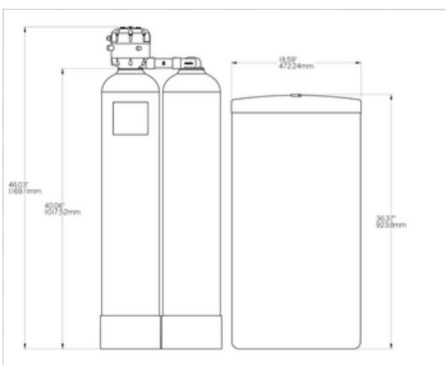
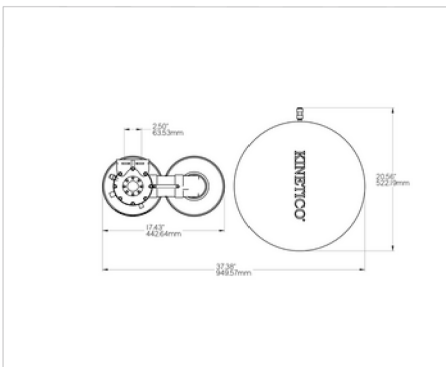
## Typical Applications:

- Pubs
- Commercial Laundry
- Restaurants
- Large properties with 6+ bathrooms



For further information, please contact Basingstoke Softeners, an Authorised Kineticopro Dealer.

T: [01256 703 346](tel:01256703346)  
E: [sales@basingstokesofteners.com](mailto:sales@basingstokesofteners.com)  
W: [basingstokesofteners.com](http://basingstokesofteners.com)



Authorised Kineticopro Dealer:

Basingstoke Softeners | Aldermaston Road, Pamber Green, Basingstoke, Hampshire, RG26 3AF

+44 (0)1256 703 346 | [sales@basingstokesofteners.com](mailto:sales@basingstokesofteners.com) | [basingstokesofteners.com](http://basingstokesofteners.com)