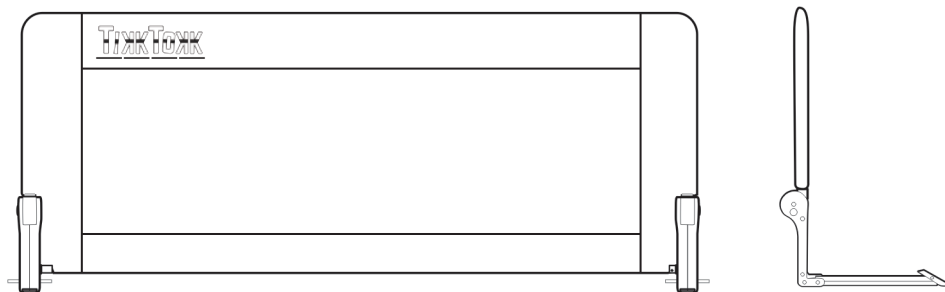


# Bedrail

## Assembly Guide

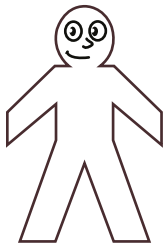
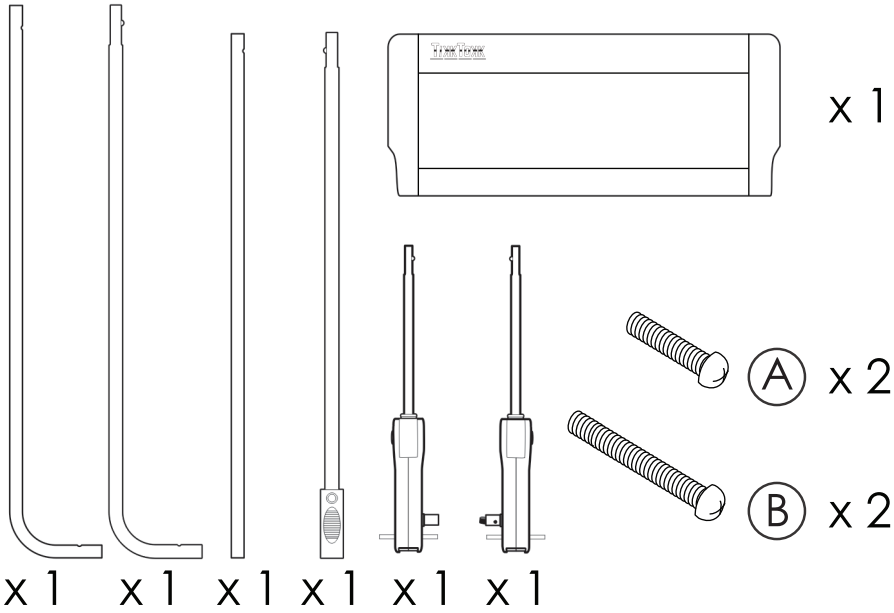


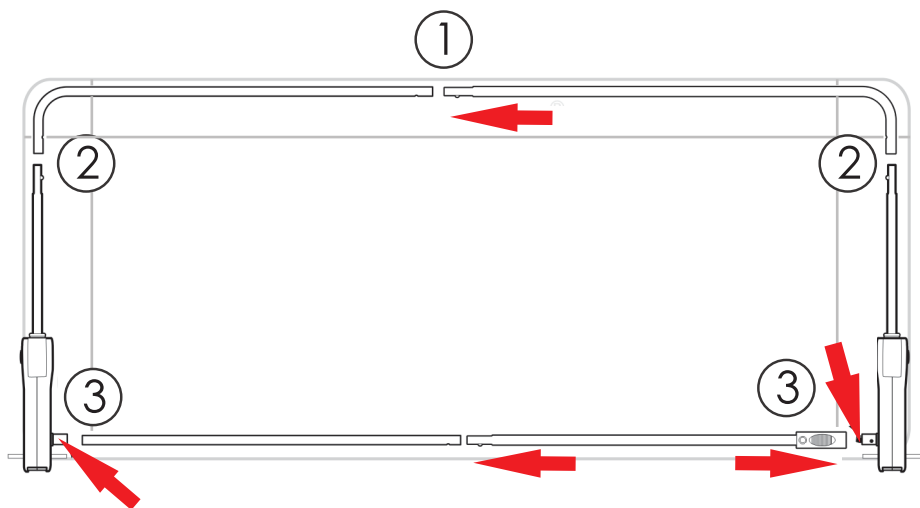
IMPORTANT  
WARNINGS  
ON BACK



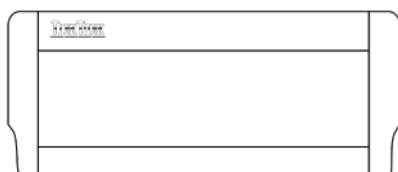
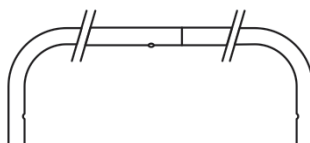
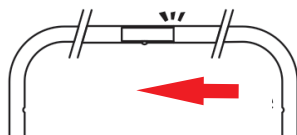
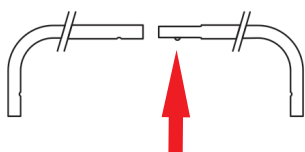
ASSEMBLY LEVEL



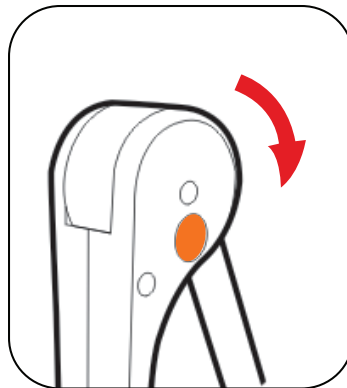
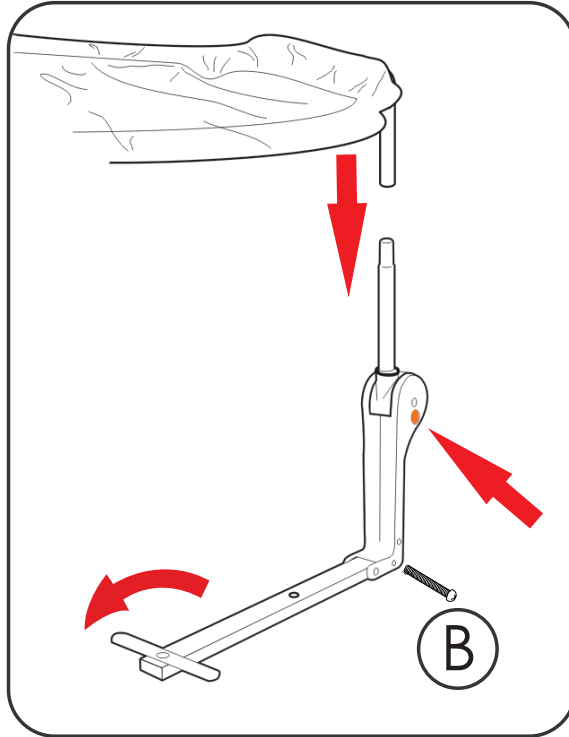




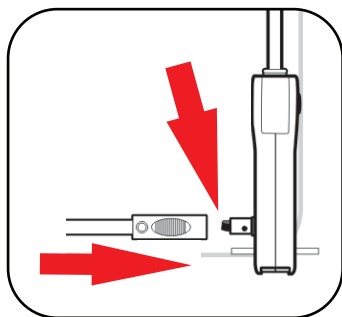
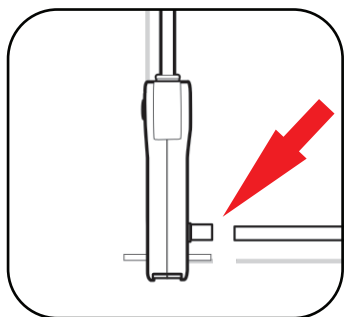
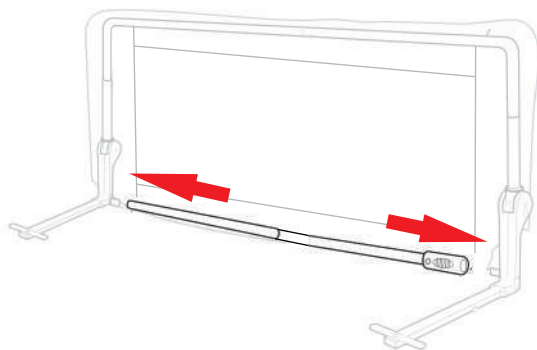
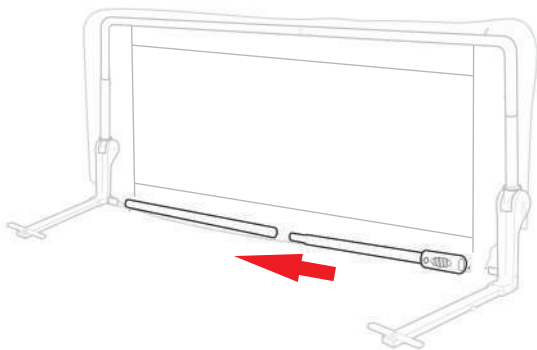
1.



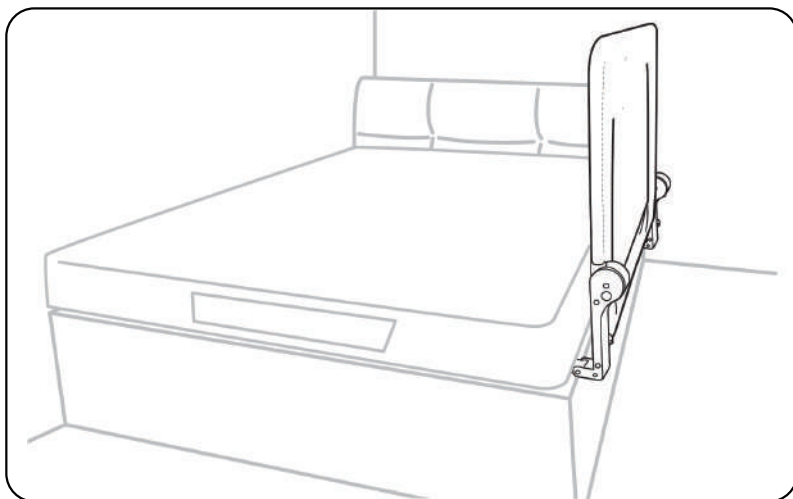
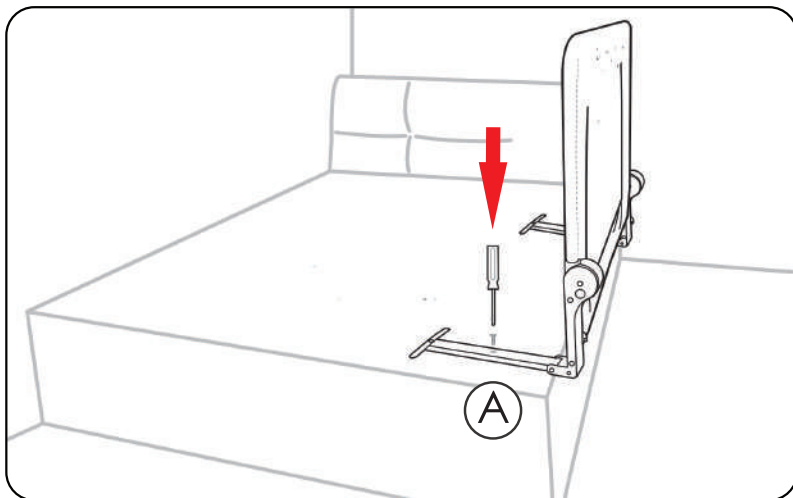
# 2.

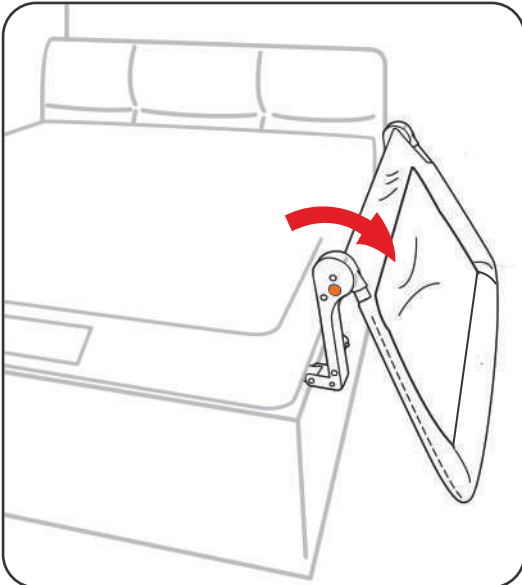
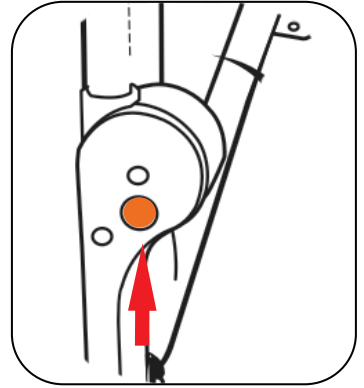
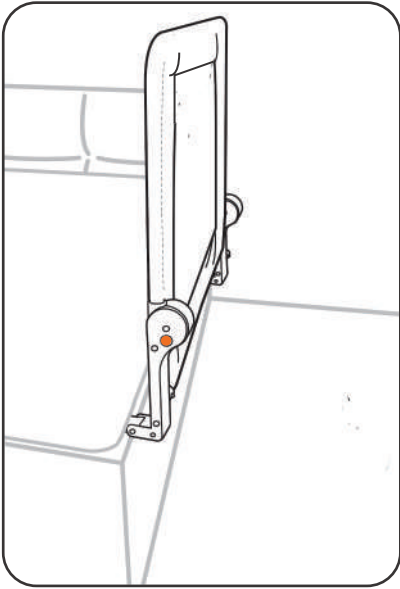


# 3.



# 4.





## WARNING



This is not a safety device  
**DO NOT LEAVE CHILDREN UNATTENDED**  
Always ensure the bedrail is locked in the upright position when baby / child is in the bed  
Incorrect installation may result in instability & weakness  
Keep plastic bags away from children  
Manufacturer's safety instructions must be followed in detail to ensure the safety features of the bedrail are not compromised  
Do not use the bedrail if any components are damaged or missing  
**DO NOT** use as a door barrier for stairways, stoves & heaters

## PRODUCT NOTICE



The finish deteriorates if over exposed to the elements especially bright colours such as red  
Read and keep assembly instructions for future reference  
Wipe only with a dry or slightly damp cloth

### EXPORTER

TikkTokk HONG KONG  
Weijiatuan, Ligezhuang Town  
Jiaozhou, Qingdao  
266316 Shandong Province  
China

### CONSUMER ASSISTANCE

HOTLINE: +61 (0) 2 9980 6633  
SKYPE: tikktokk.mb  
EMAIL: info@tikktokk.com  
WEB: www.tikktokk.com  
ADDRESS: Unit 3, 280 New Line Rd  
Dural, NSW, 2158,  
Australia

### IMPORTER

TikkTokk Australia  
Unit 3, 280 New Line Rd  
Dural, NSW, 2158  
Australia