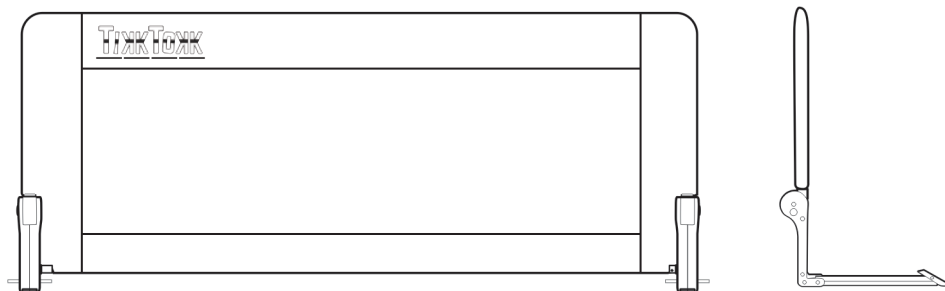


Bedrail

Assembly Guide

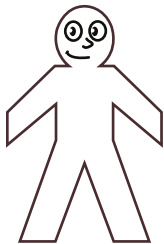
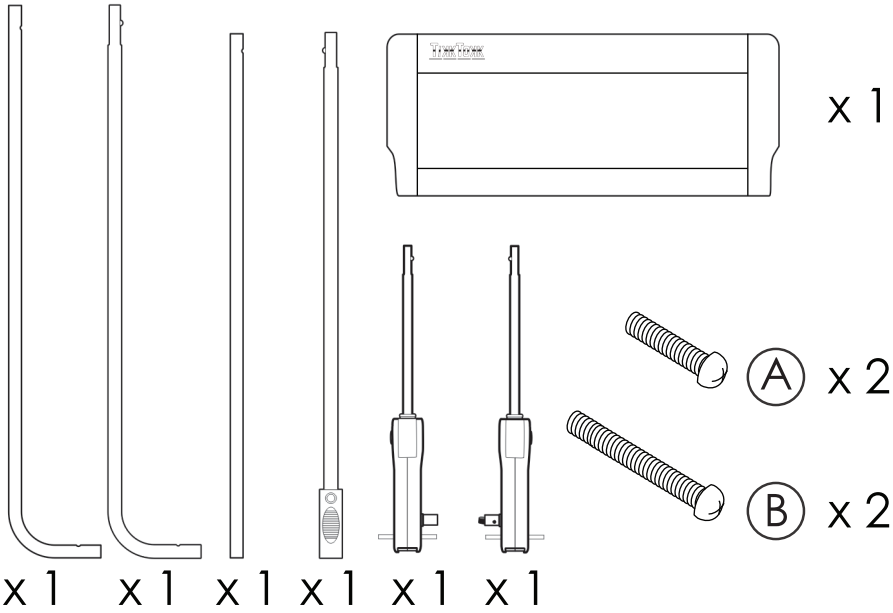


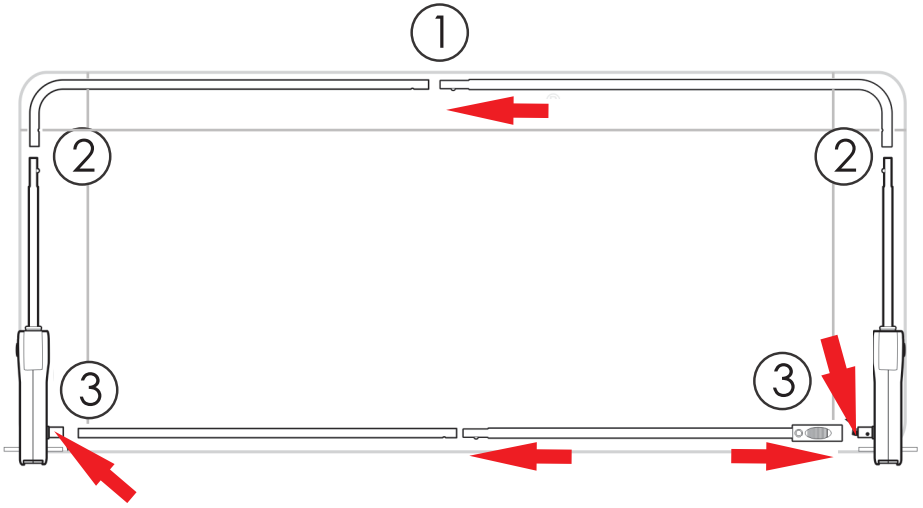
IMPORTANT
WARNINGS
ON BACK



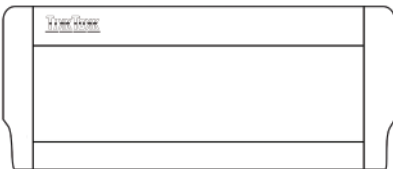
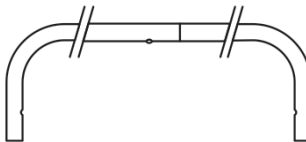
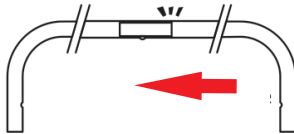
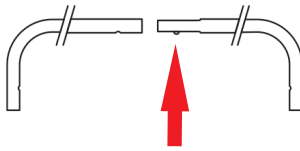
ASSEMBLY LEVEL



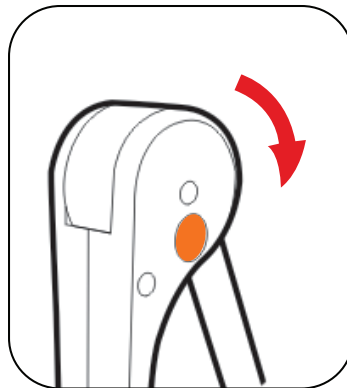
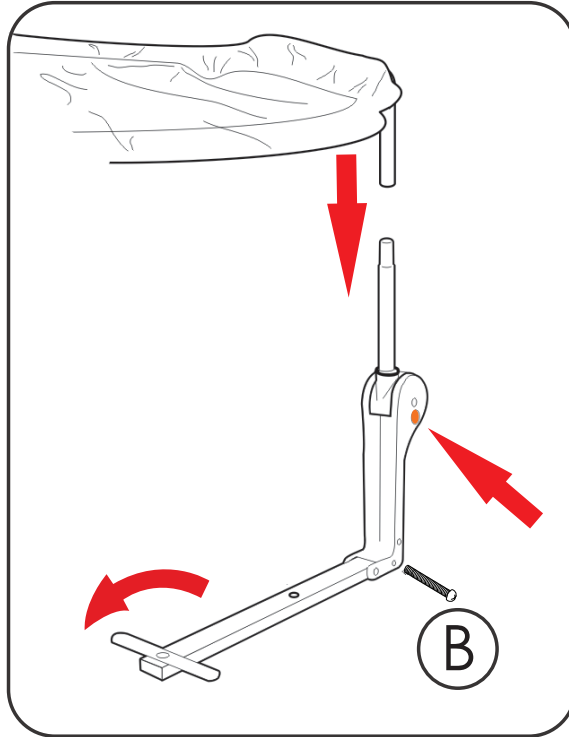




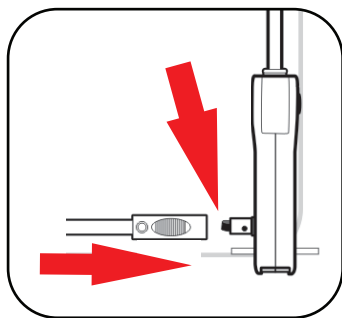
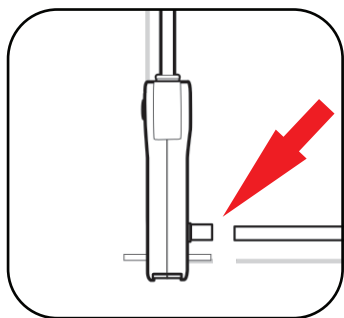
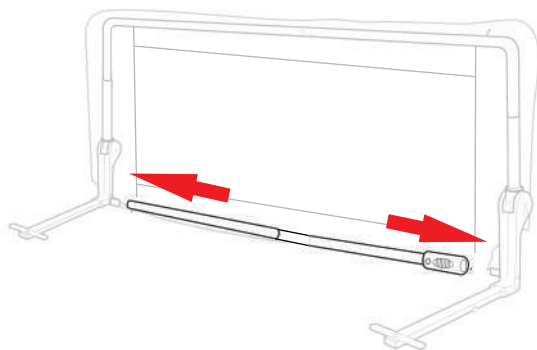
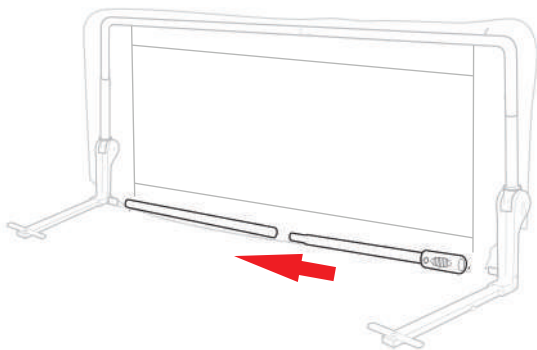
1.



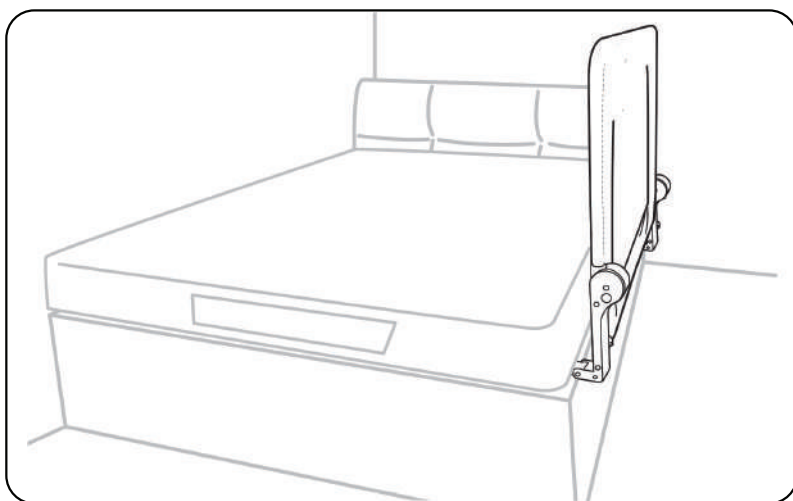
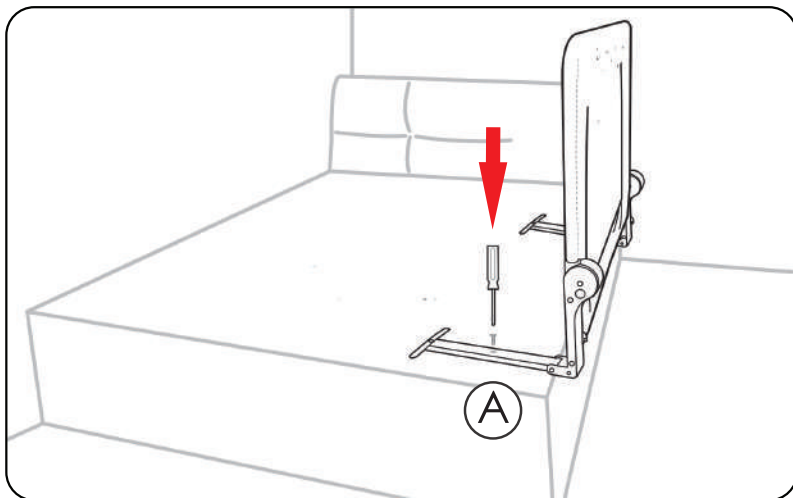
2.

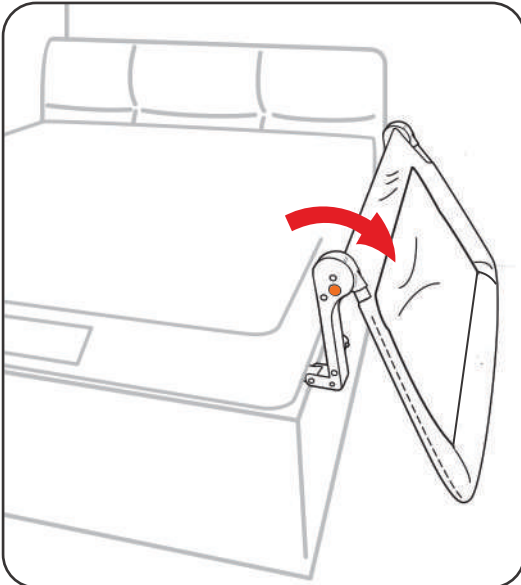
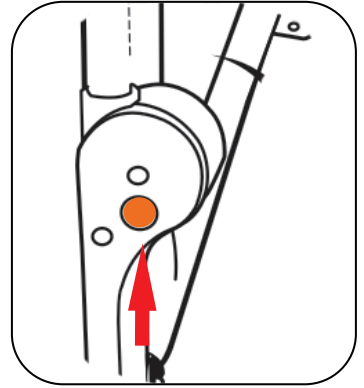
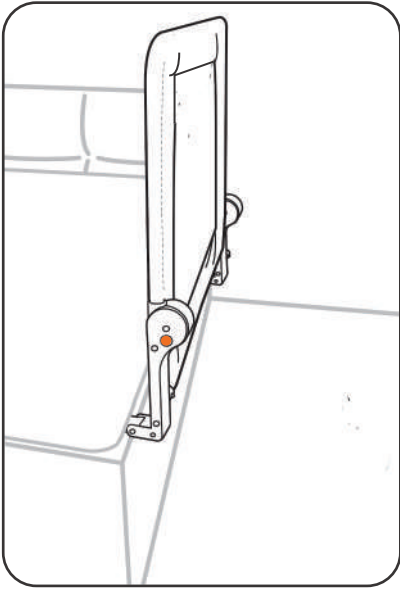


3.



4.





WARNING



This is not a safety device
DO NOT LEAVE CHILDREN UNATTENDED
Always ensure the bedrail is locked in the upright position when baby / child is in the bed
Incorrect installation may result in instability & weakness
Keep plastic bags away from children
Manufacturer's safety instructions must be followed in detail to ensure the safety features of the bedrail are not compromised
Do not use the bedrail if any components are damaged or missing
DO NOT use as a door barrier for stairways, stoves & heaters

PRODUCT NOTICE



The finish deteriorates if over exposed to the elements especially bright colours such as red
Read and keep assembly instructions for future reference
Wipe only with a dry or slightly damp cloth

EXPORTER

TikkTakk HONG KONG
Weijiatun, Ligezhuang Town
Jiaozhou, Qingdao
266316 Shandong Province
China

CONSUMER ASSISTANCE

HOTLINE: +61 (0) 2 9980 6633
SKYPE: tikkTakk.mb
EMAIL: info@tikkTakk.com
WEB: www.tikkTakk.com
ADDRESS: Unit 3, 280 New Line Rd
Dural, NSW, 2158,
Australia

IMPORTER

TikkTakk Australia
Unit 3, 280 New Line Rd
Dural, NSW, 2158
Australia