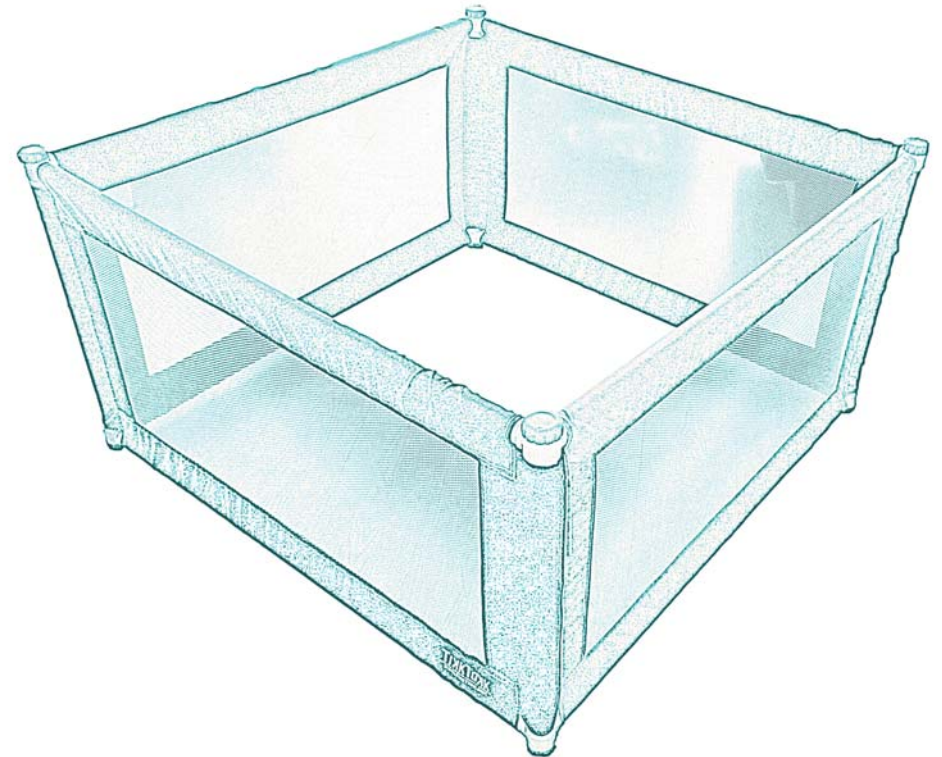


POKANO Playpen Square

Assembly Guide



WARNING



This is not a safety device
DO NOT LEAVE CHILDREN UNATTENDED
 DO NOT use as a barrier for stairways, stoves or heaters
 Incorrect installation may result in instability & weakness
 Keep plastic bags away from children

PRODUCT NOTICE



This is not a safety device
DO NOT LEAVE CHILDREN UNATTENDED
 Incorrect installation may result in instability & weakness
 Keep plastic bags away from children
 Sponge clean with a damp cloth
 Foam contracts when rolled for packing, please allow
 1 - 2 days upon opening for foam to fully expand

EXPORTER

TikkTokk HONG KONG
 Weijiatun, Ligezhong Town
 Jiaozhou, Qingdao 266316
 Shandong Province, China

CONSUMER ASSISTANCE

HOTLINE: +61 (0) 2 9980 6633
 SKYPE: tikktokk.mb
 EMAIL: info@tikktokk.com
 WEB: www.tikktokk.com
 ADDRESS: Unit 3, 280 New Line Rd
 Dural, NSW, 2158,
 Australia

IMPORTER

TikkTokk Australia
 Unit 3, 280 New Line Rd
 Dural, NSW, 2158
 Australia

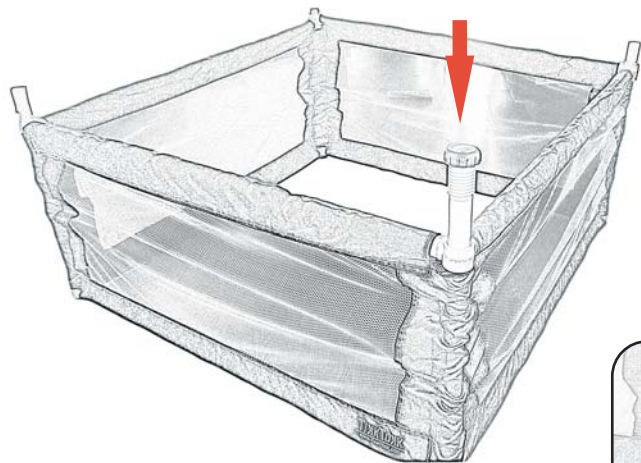


**IMPORTANT
 WARNINGS
 ON BACK**

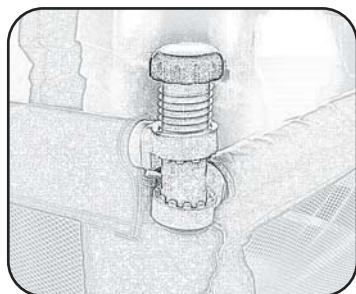


ASSEMBLY LEVEL

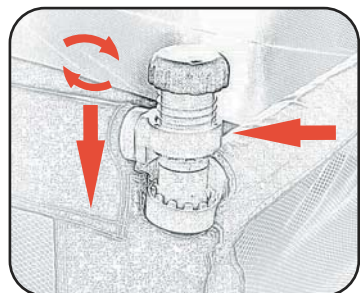




4 Top Corners: Insert screw



6.

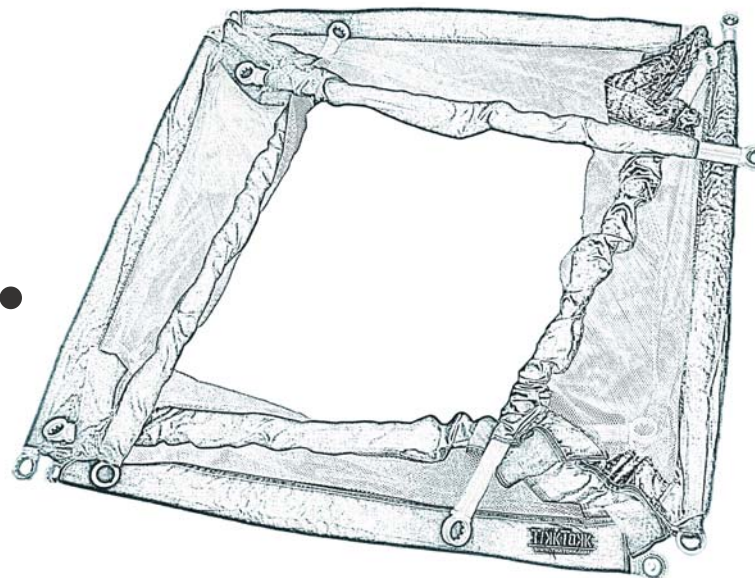


Screw corners down

Turn screw until top circle connector is tight

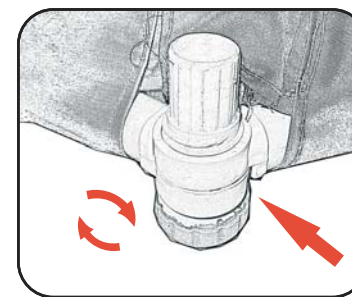


1.



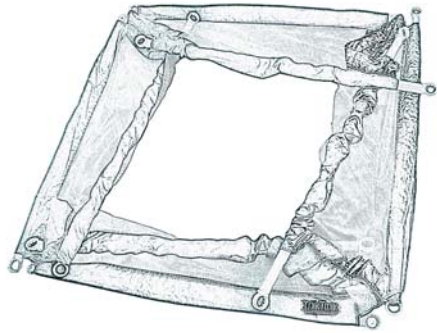
Separate top & bottom poles

2.



4 Base Corners: Insert screw upward

Turn screw until both circle connectors are tight



x 1



x 1

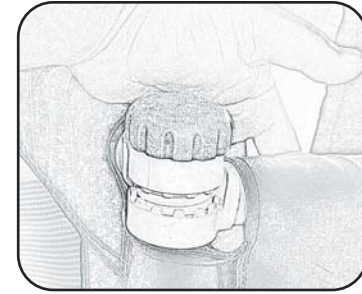


x 4



x 8

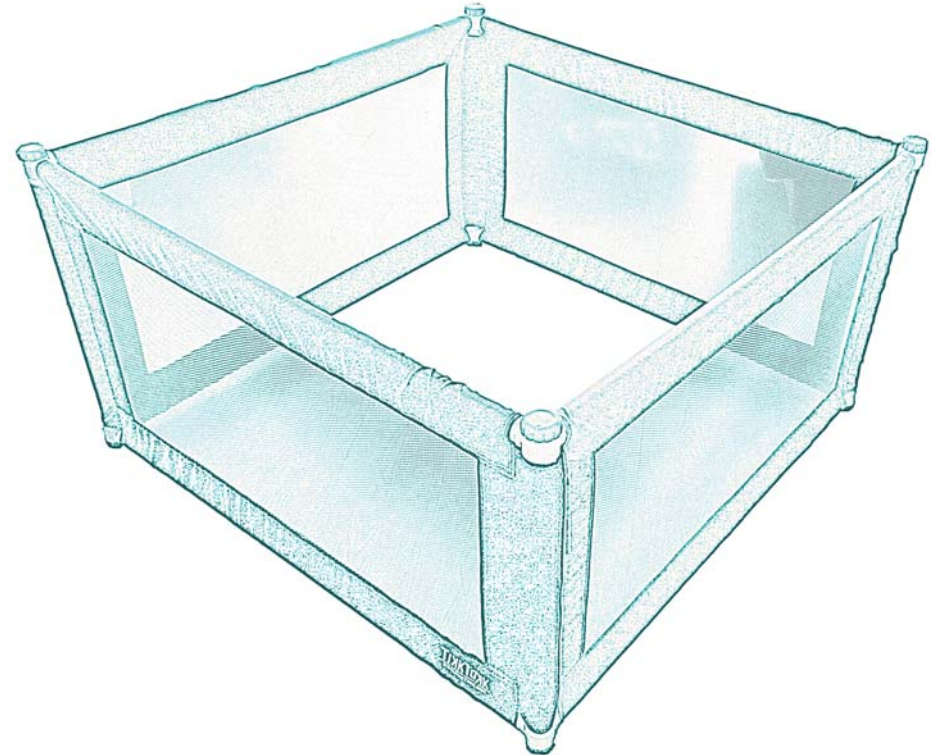
7.



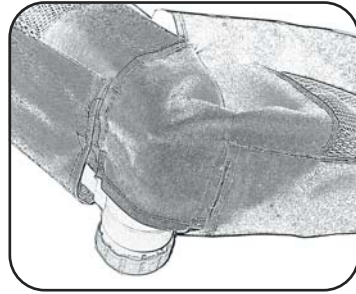
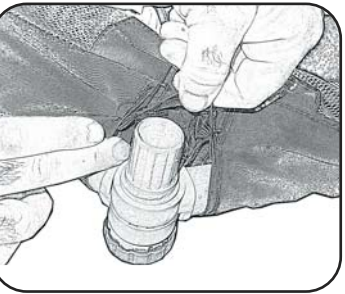
Pull up bottom circle connector

Turn screw until tight

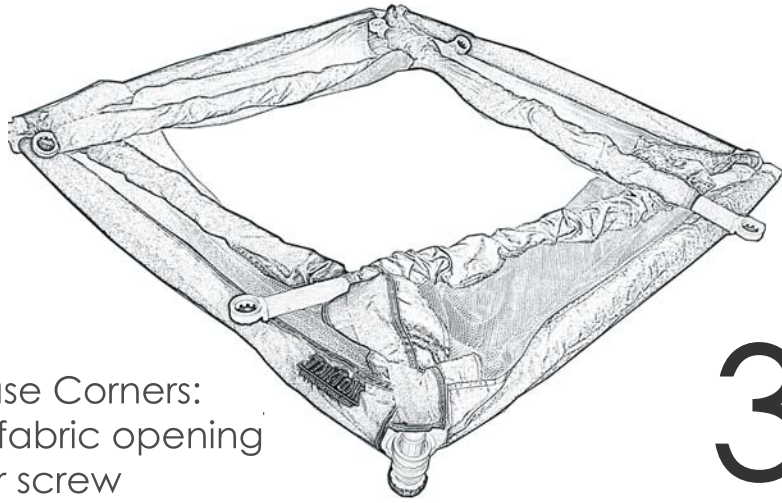
Tension fabric with screws



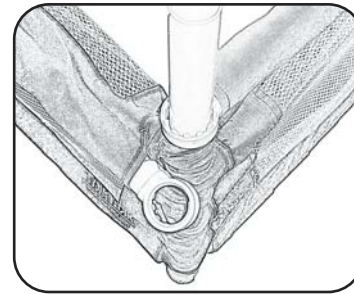
4 Base Corners:
Pull fabric opening
over screw



3.



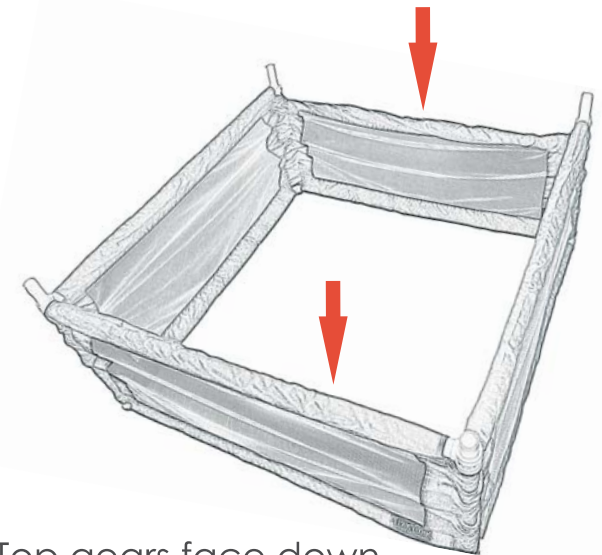
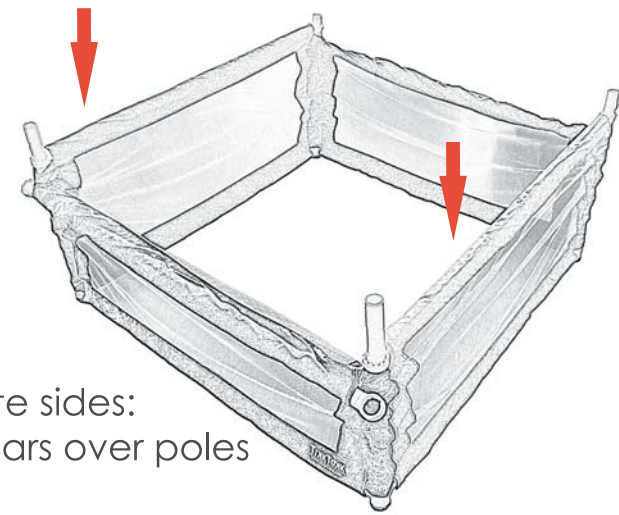
Opposite sides:
slide gears over poles



Bottom gears face up

Repeat.

5.



Top gears face down

4. Insert vertical poles through fabric

