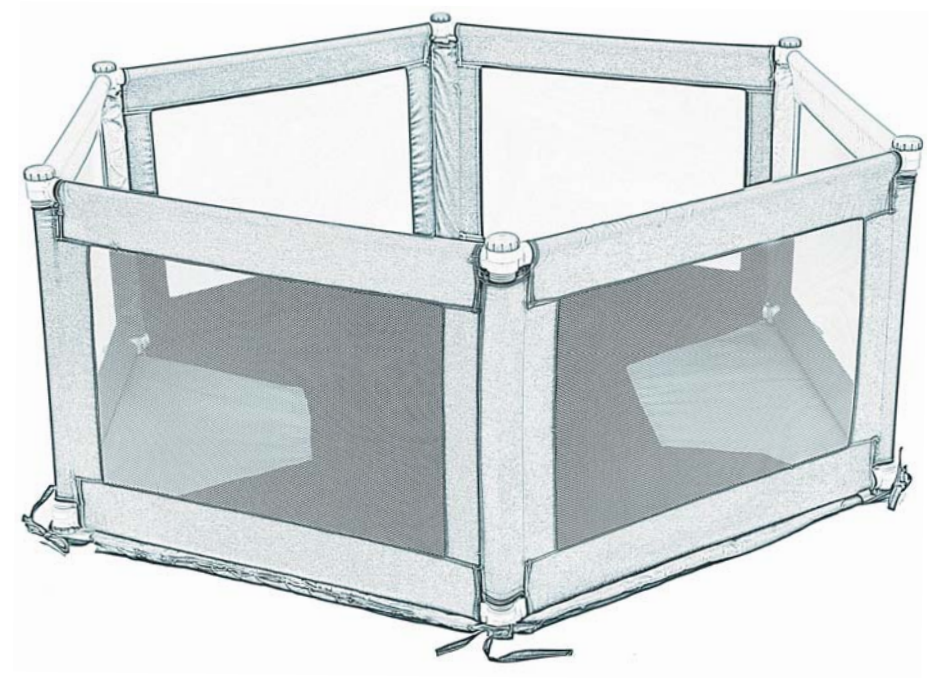


POKANO Playpen Hex

Assembly Guide



WARNING



This is not a safety device
DO NOT LEAVE CHILDREN UNATTENDED
 DO NOT use as a barrier for stairways, stoves or heaters
 Incorrect installation may result in instability & weakness
 Keep plastic bags away from children

PRODUCT NOTICE



This is not a safety device
DO NOT LEAVE CHILDREN UNATTENDED
 Incorrect installation may result in instability & weakness
 Keep plastic bags away from children
 Sponge clean with a damp cloth
 Foam contracts when rolled for packing, please allow
 1 - 2 days upon opening for foam to fully expand

EXPORTER

TikkTokk HONG KONG
 Weijiatun, Ligezhong Town
 Jiaozhou, Qingdao 266316
 Shandong Province, China

CONSUMER ASSISTANCE

HOTLINE: +61 (0) 2 9980 6633
 SKYPE: tikktokk.mb
 EMAIL: info@tikktokk.com
 WEB: www.tikktokk.com
 ADDRESS: Unit 3, 280 New Line Rd
 Dural, NSW, 2158,
 Australia

IMPORTER

TikkTokk Australia
 Unit 3, 280 New Line Rd
 Dural, NSW, 2158
 Australia



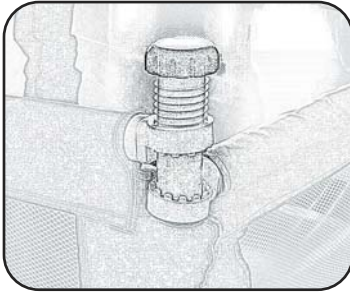
**IMPORTANT
 WARNINGS
 ON BACK**



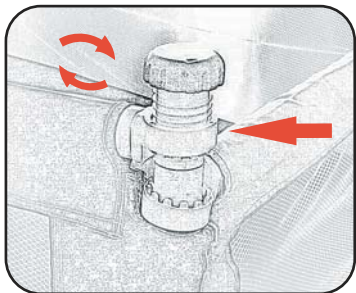
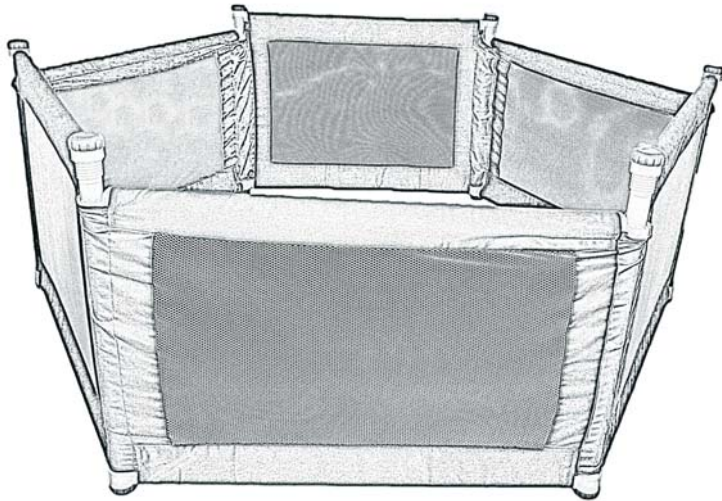
ASSEMBLY LEVEL



6.



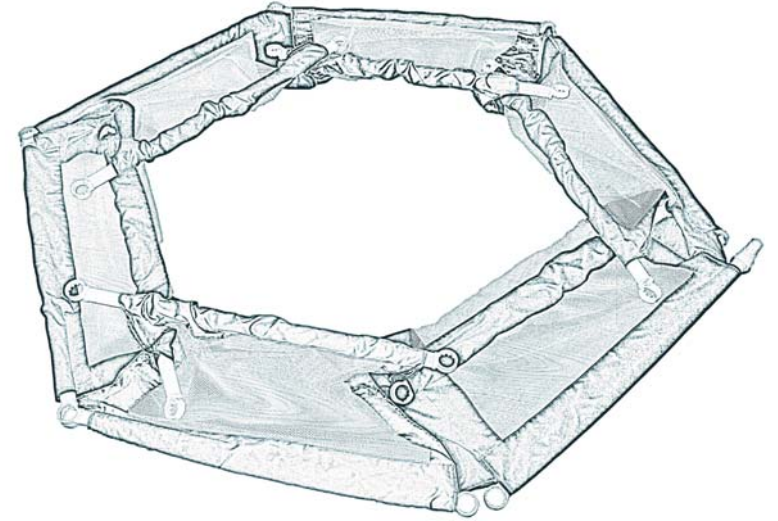
6 Top Corners: Insert screw



Screw corners down

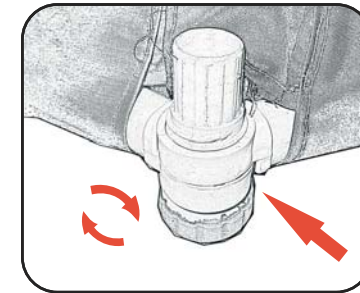
Turn screw until top circle connector is tight

1.



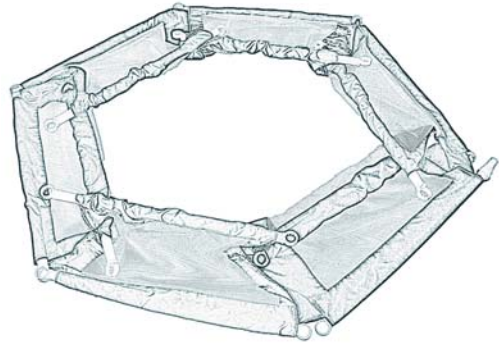
Separate top & bottom poles

2.



6 Base Corners: Insert screw upward

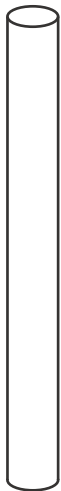
Turn screw until both circle connectors are tight



x 1



x 1

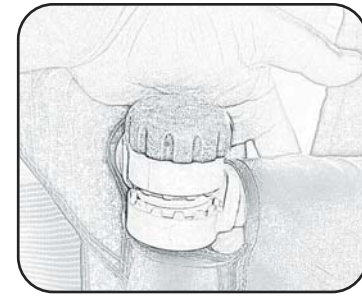


x 6



x 12

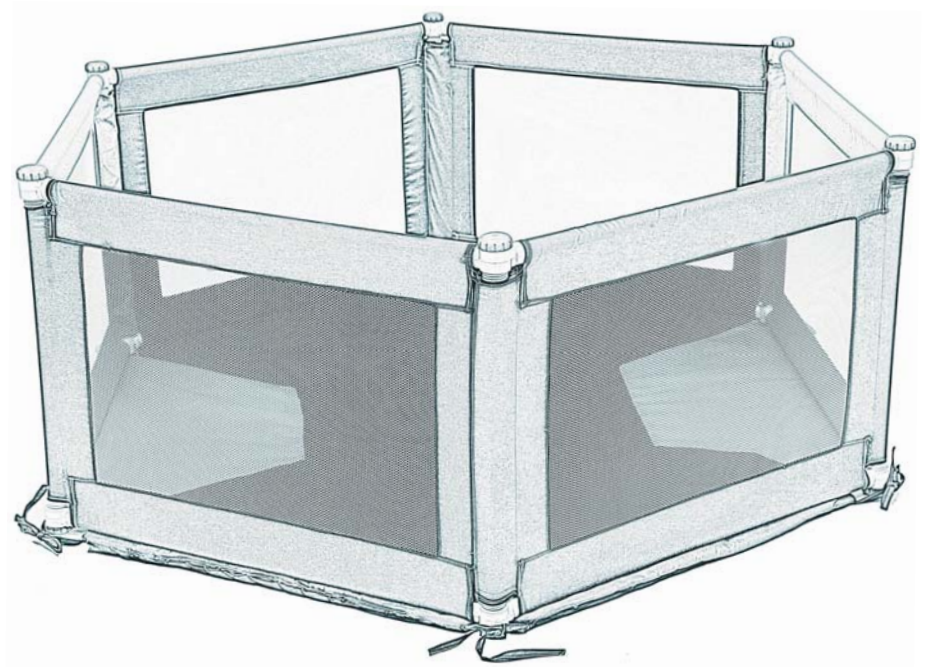
7.

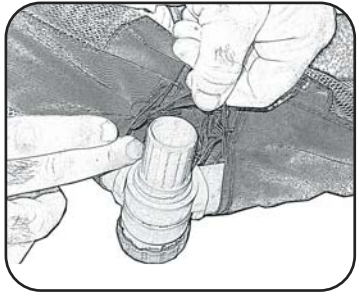


Pull up bottom circle connector

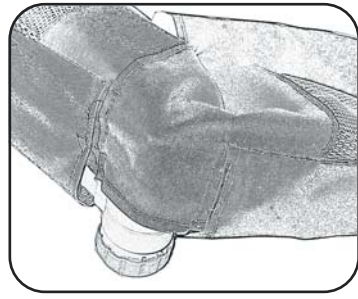
Turn screw until tight

Tension fabric with screws

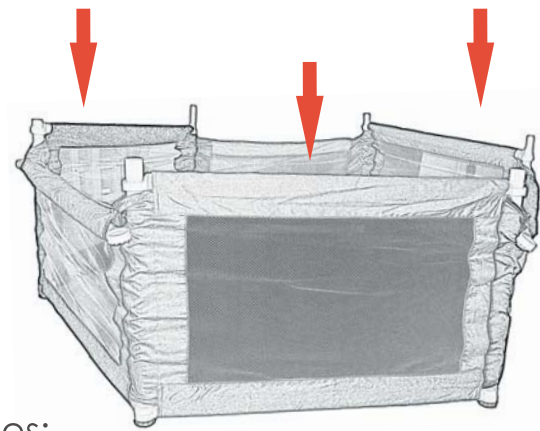




6 Base Corners:
Pull fabric opening
over screw



3.

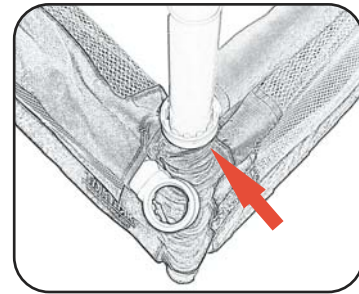


Opposite sides:
slide gears over poles

5.

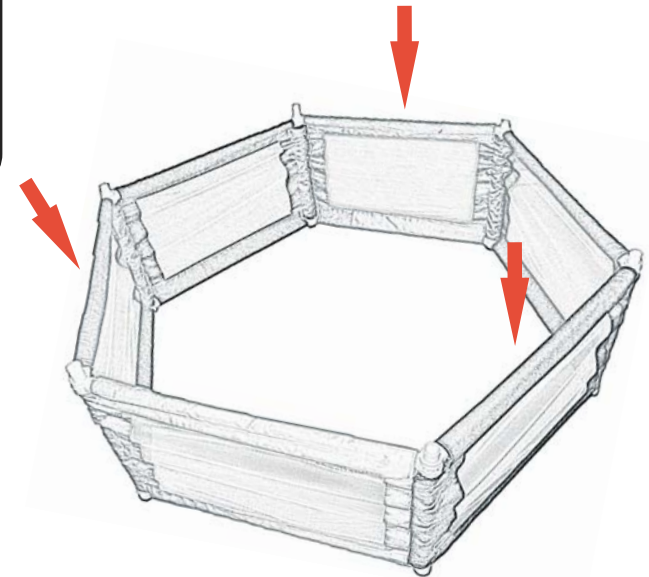
4.

Insert vertical poles through fabric



Bottom gears face up

Repeat.



Top gears face down

