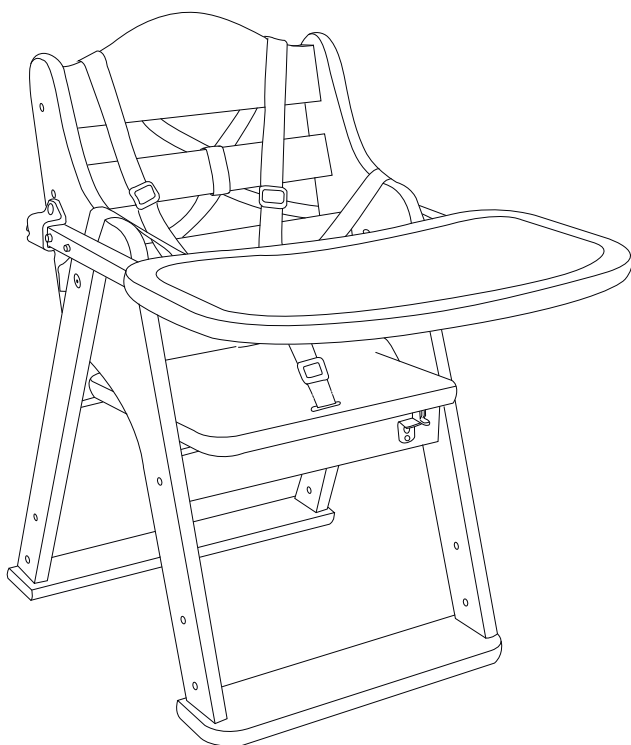


Feeding Chair

Assembly Guide

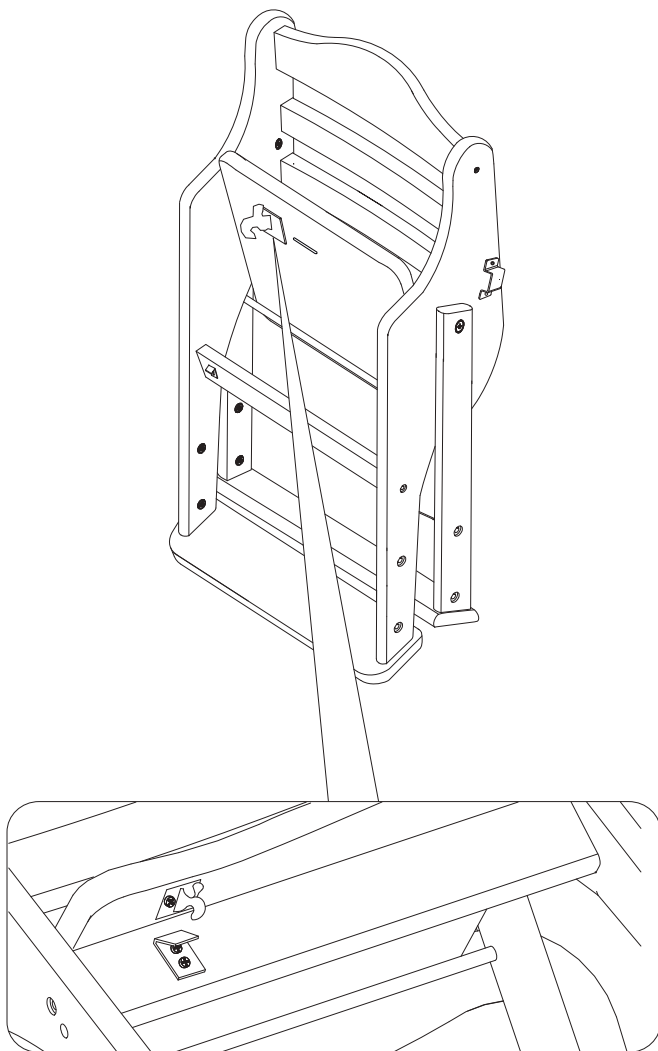


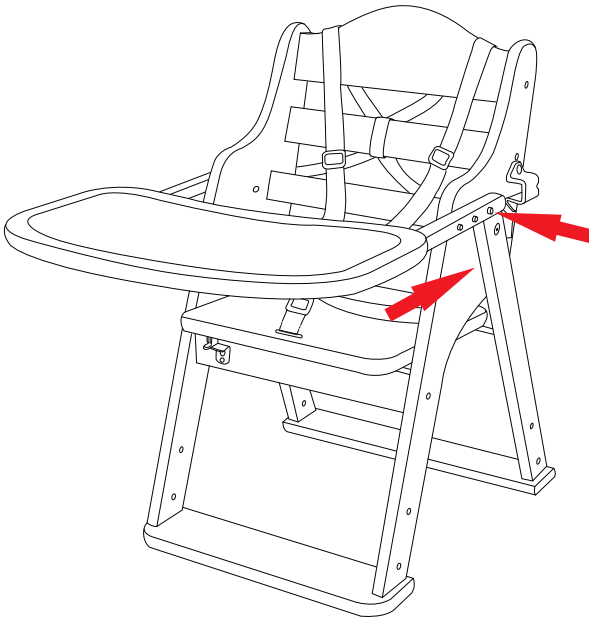
IMPORTANT
WARNINGS
ON BACK



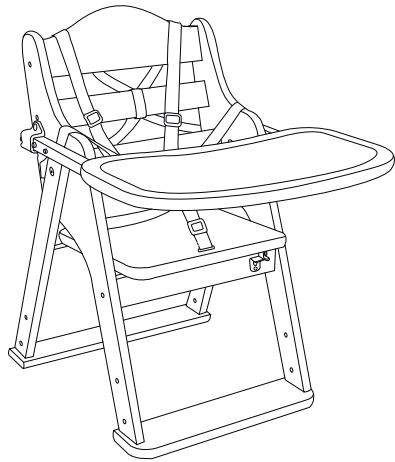
ASSEMBLY LEVEL





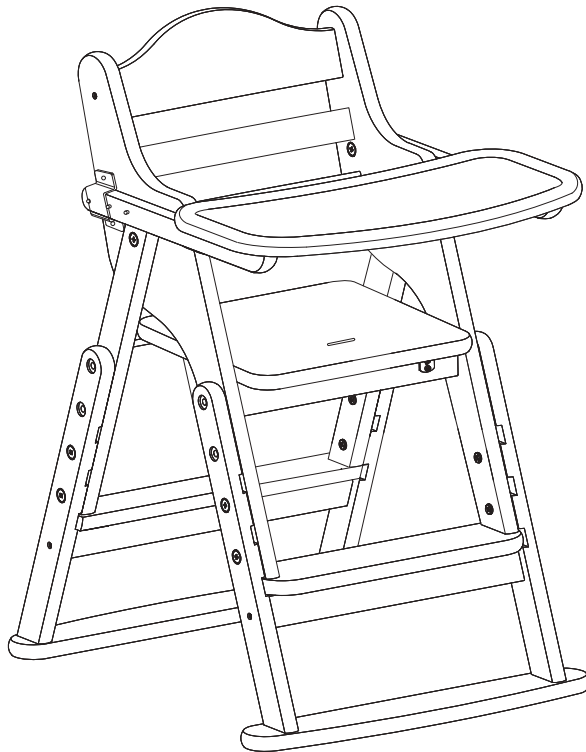


2.



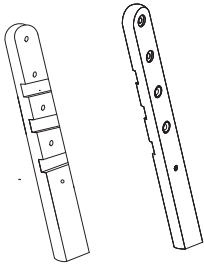
Extension Legs

Assembly Guide

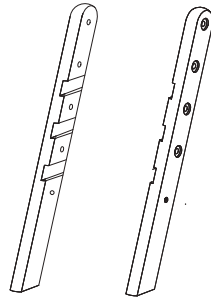


*Extension legs not included with Feeding Chair

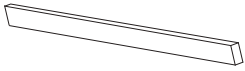
TRH81



x 1



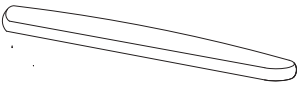
x 1



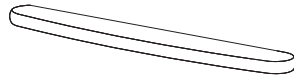
x 1



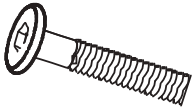
x 1



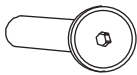
x 1



x 1



x 8



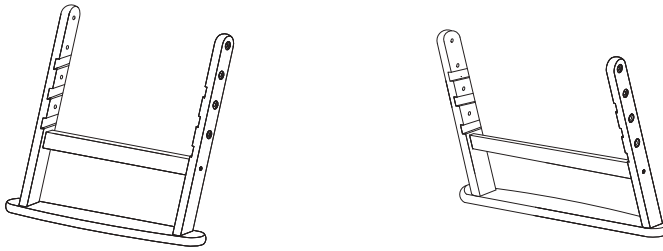
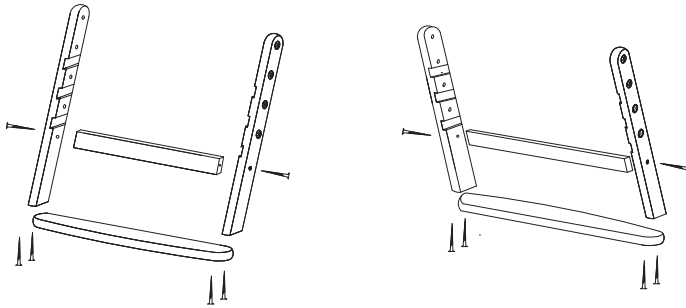
x 8



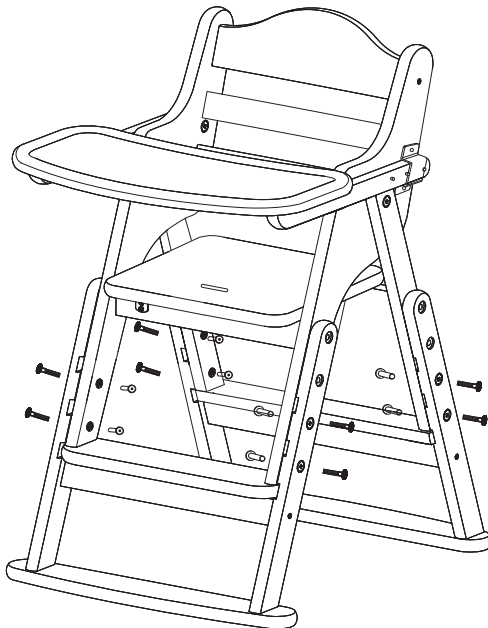
+



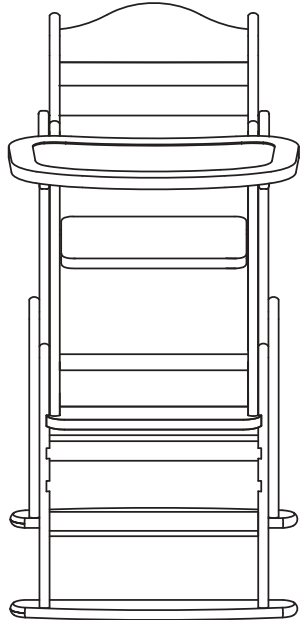
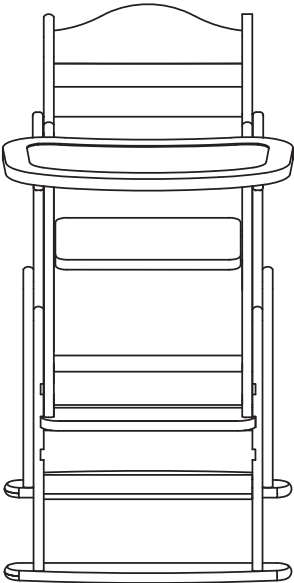
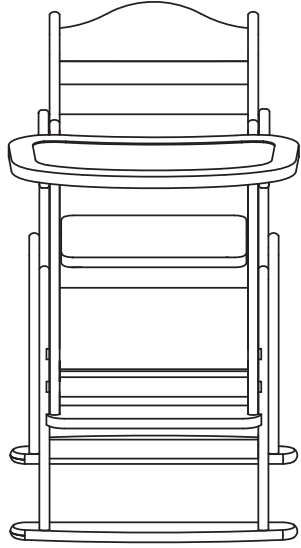
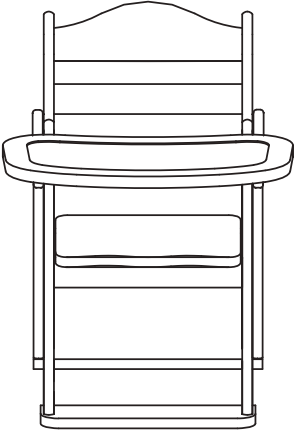
x 12



1.



2.



WARNING



KEEP THIS DOCUMENT FOR FUTURE REFERENCE
This is not a safety device
DO NOT LEAVE CHILDREN UNATTENDED EVEN WHEN HARNESS IS USED
Incorrect installation may result in instability & weakness
Keep plastic bags away from children
To prevent falls, position the highchair away from solid structures
Keep away from all dangerous items such as heat sources, liquids, window coverings, cords etc.
ONLY for use by children who are able to sit unaided
Do not use the high chair unless all components are correctly fitted & adjusted. Check frequently
Be aware the risk of open fire & other sources of strong heat, in the vicinity of the high chair
Do not use the high chair if any parts are broken, torn or missing
Always keep the tray assembled on the high chair
THE MAX WEIGHT OF THE CHILD SHOULD NOT EXCEED 35KGS

PRODUCT NOTICE



MOST INJURIES RELATED TO HIGH CHAIRS ARE CAUSED BY FALLS.
Incidents of injuries related to the use of high chairs are substantially higher than most other products
Assemble all components only according to TikkTökk's guidelines herein
If harness is provided, ensure it is correctly fitted
This high chair is made of varnished wood, as such, liquids including water, oil, wet food & drinks will damage the surface
Wipe only with a dry or slightly damp cloth

SAFETY FEATURES



Certified toxin free
More stable due to stronger joints
Designed & compliant with the strict AUSSPASS standards
Safety 5 Point harness included

Product Code TRH21

- Australian Standards (AS NZS4684 - 2009) Safety Approved Test Report: SHHG141204xxxx 2015 March
- European Standards (En 14988) Safety Approved Test Report: SHHG141204xxxx 2015 March

EXPORTER

TikkTökk HONG KONG
Room 1-2-1304, Tome Mansion
No139 Fuzhou North Rd
266032 Qingdao
Shandong China

CONSUMER ASSISTANCE

HOTLINE: +61 (0) 2 9980 6633
SKYPE: tikktokek.mb
EMAIL: info@tikktokek.com
WEB: www.tikktokek.com
ADDRESS: Unit 3, 280 New Line Rd
Dural, NSW, 2158,
Australia

IMPORTER

TikkTökk Australia
Unit 3, 280 New Line Rd
Dural, NSW, 2158
Australia