

Elm Cot

Assembly Guide

WARNING



KEEP THIS DOCUMENT FOR FUTURE REFERENCE
 This is not a safety device
 DO NOT LEAVE CHILDREN UNATTENDED
 NEVER LEAVE A CHILD UNATTENDED WITH DROPSIDE DOWN
 TO PREVENT FALLS the mattress base of this cot should be adjusted to the lowest position before the child can sit up.
 Maximum mattress thickness should not exceed 120mm
 Keep clean of all foreign substances including those that may be toxic
 All screws should be check & tightened regularly
 Manufacturer's assembly instructions must be followed in detail to ensure the safety features of the cot are not compromised
 Incorrect installation may result in instability & weakness
 Ensure that the cot is kept at a safe distance from curtains / blinds, heaters & power outlets.
 Also ensure that medication, string, elastics, small toys & other small items such as money are kept out of reach from any position in the cot
 Keep plastic bags away from children
 Do not use the cot if any parts are broken, torn or missing

PRODUCT NOTICE



Always insist on a standard One60 mattress
 1000 x 600 x 100mm
 Ensure the mattress is SIDS tested
 All TikkTokk products are tested to the available standard
 Assemble all components only according to TikkTokk's guidelines herein



Product Code TEF01
 Australian Standards Test Reports
 Cot: AS/NZS 2172:2013 QDHG201201110

EXPORTER

TikkTokk HONG KONG
 Room 50 45F Premier Centre,
 No.20 Cheung Shun Street,
 Cheung Sha Wan,
 Kowloon, Hong Kong

CONSUMER ASSISTANCE

HOTLINE: +61 (0) 2 9980 6633
 SKYPE: tikktokk.mb
 EMAIL: info@tikktokk.com
 WEB: www.tikktokk.com
 ADDRESS: Unit 3, 280 New Line Rd
 Dural, NSW, 2158,
 Australia

IMPORTER

TikkTokk Australia
 Unit 3, 280 New Line Rd
 Dural, NSW, 2158
 Australia

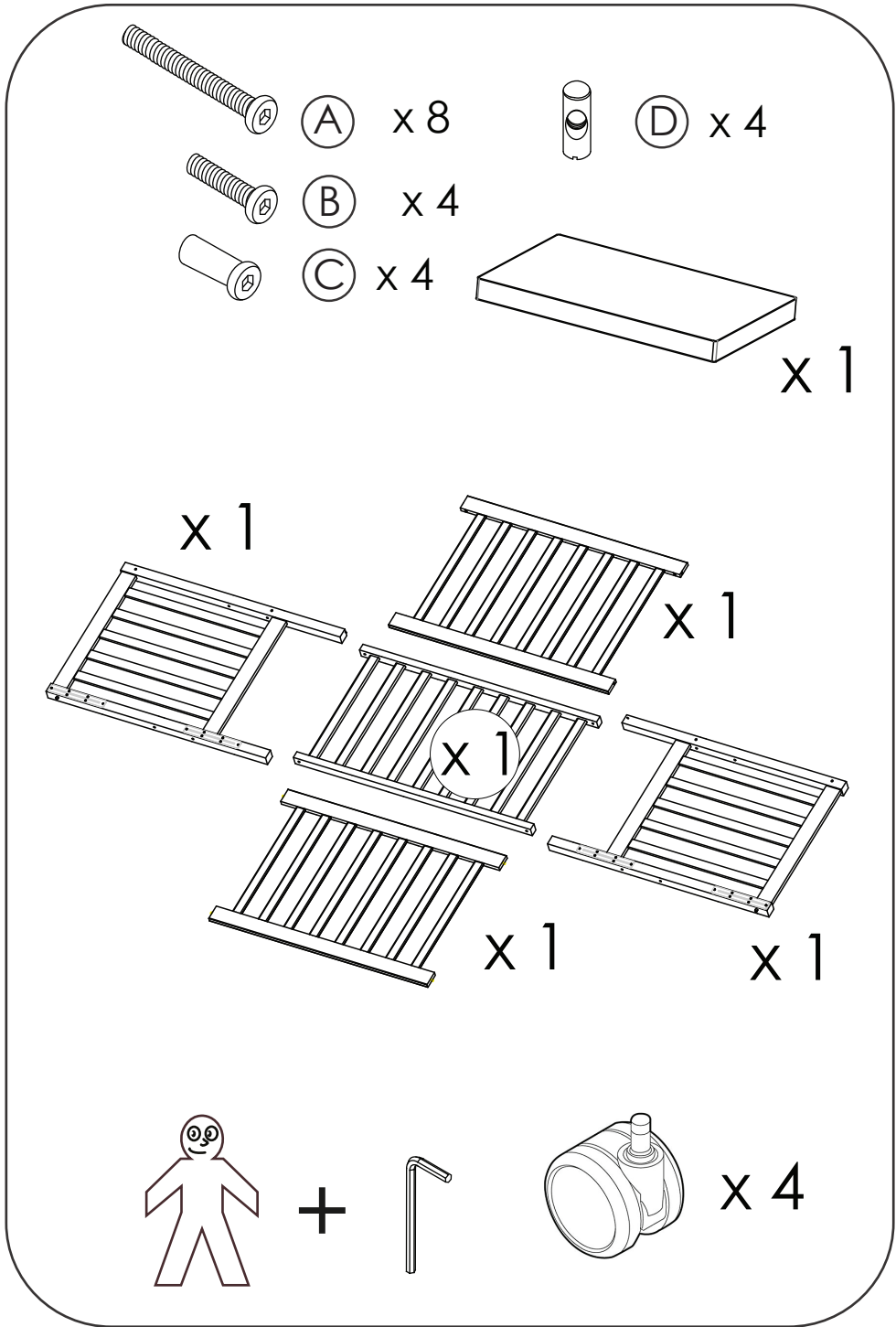


IMPORTANT
 WARNINGS
 ON BACK



ASSEMBLY LEVEL





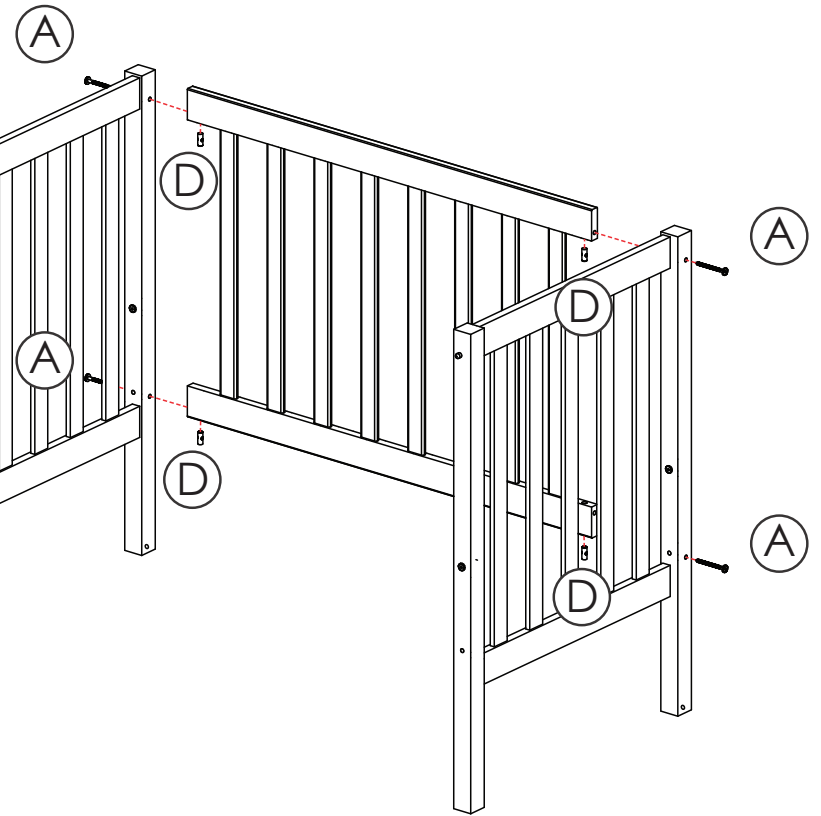
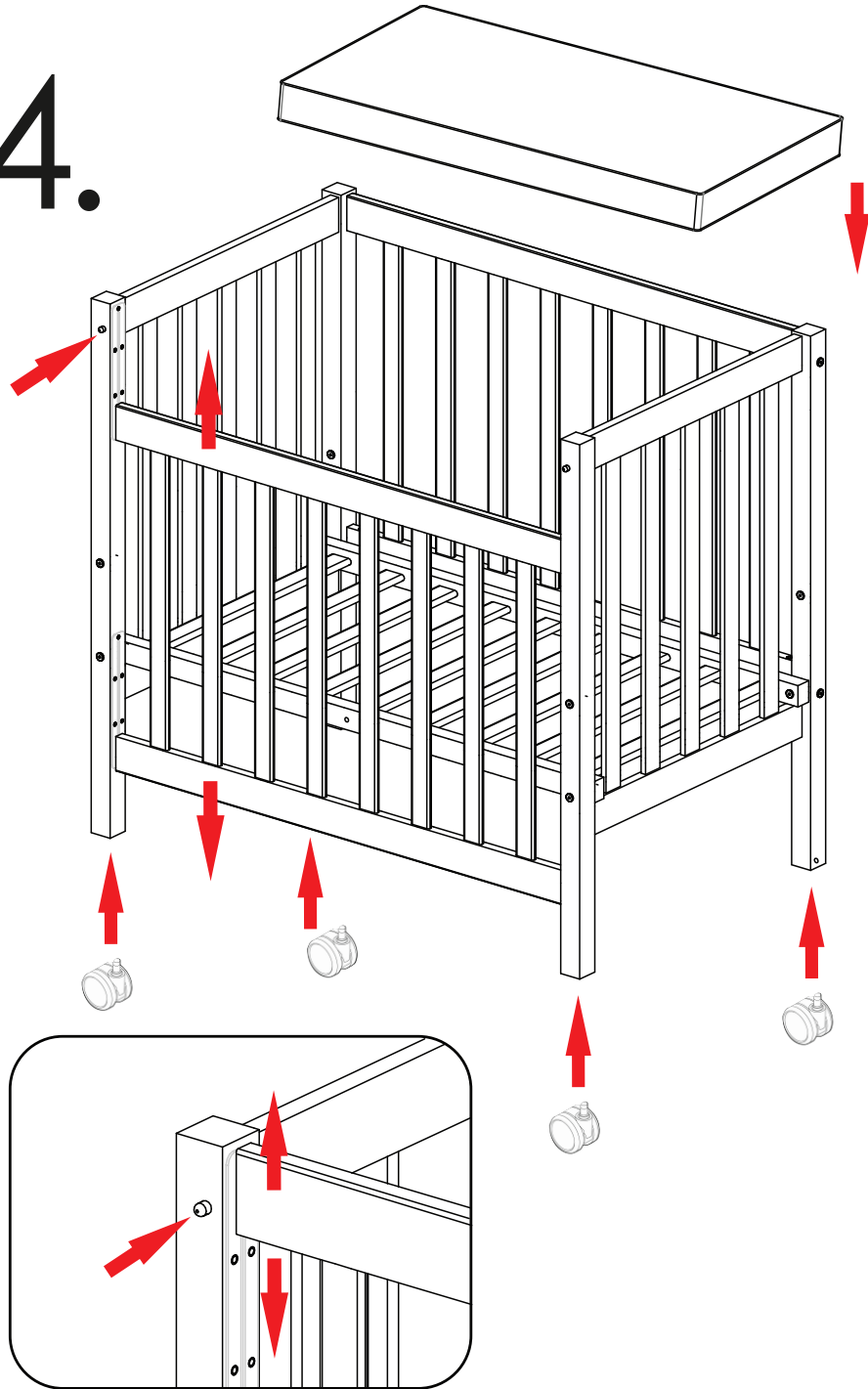
Warranty Registration - Register Your TikkTokk Product Online

Here's what you need:

- Receipt
- Date of Purchase (on your receipt)

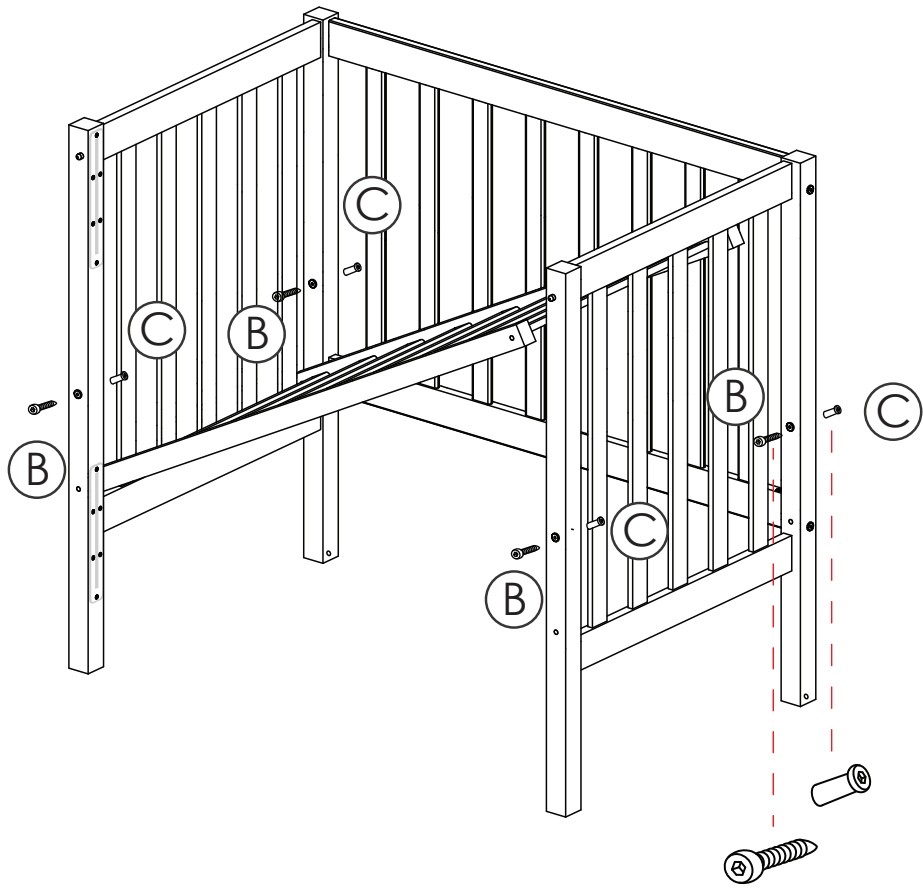
www.tikktokk.com

4.



1.

2.



3.

