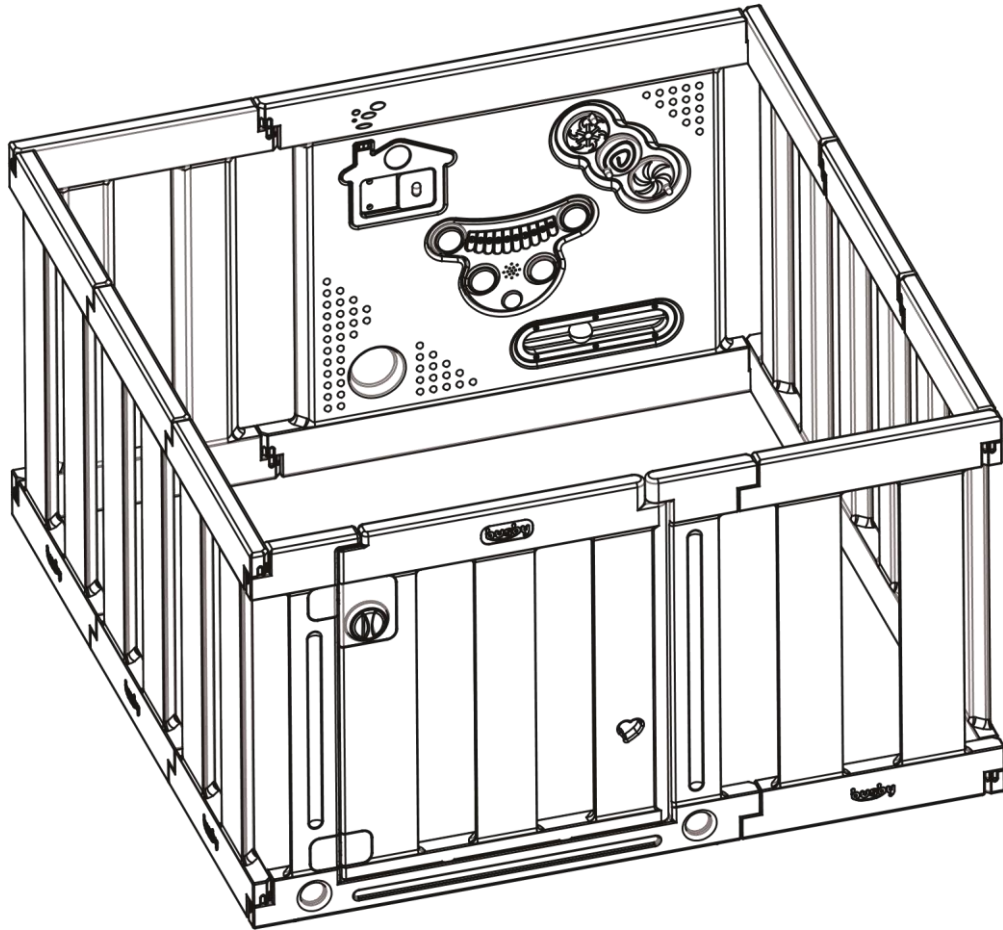


Advanced Nanny Panel

Assembly Guide

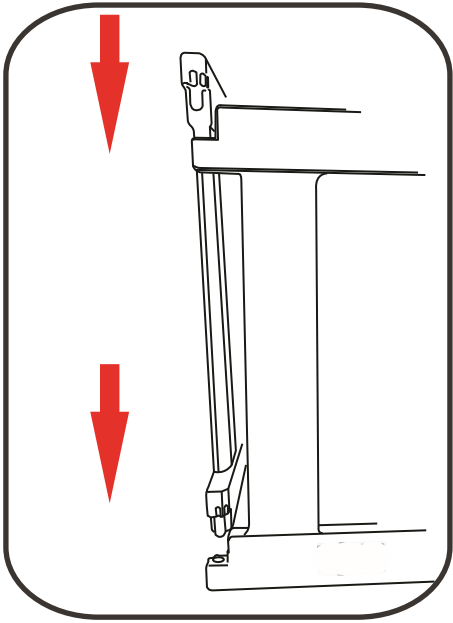


IMPORTANT
WARNINGS
ON BACK



ASSEMBLY LEVEL

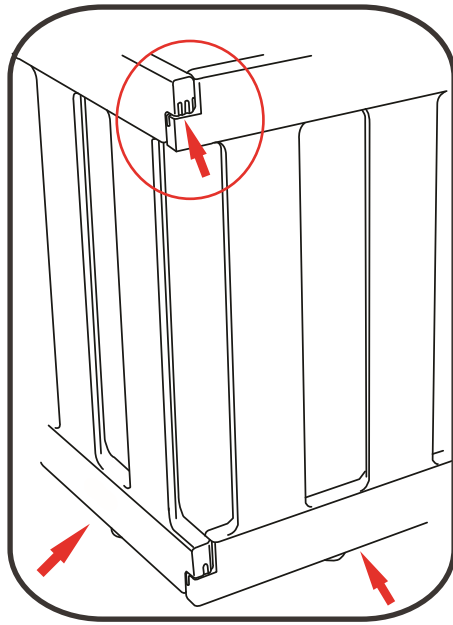




Ensure both surfaces of the panels are touching and flat.




requires 3 x AA batteries,
not included



When assembling, place playpen on a hard tiled or wood floors, not carpet, and push firmly downwards until you hear panels click into place.

surface such as

When setting up, ensure the logo is facing outwards, the panels logo side inwards, can cause damage and breakage to pins .

WARNING	
	<p>This is not a safety device DO NOT LEAVE CHILDREN UNATTENDED DO NOT use as a barrier for stairways, stoves or heaters Incorrect installation may result in instability & weakness Keep plastic bags away from children</p>

EXPORTER

TikkTokk HONG KONG
 Room 50 45F Premier Centre,
 No.20 Cheung Shun Street,
 Cheung Sha Wan,
 Kowloon, Hong Kong

CONSUMER ASSISTANCE

HOTLINE: +61 (0) 2 9980 6633
 SKYPE: tikktokk.mb
 EMAIL: info@tikktokk.com
 WEB: www.tikktokk.com
 ADDRESS: Unit 3, 280 New Line Rd,
 Dural, NSW, 2158,
 Australia

PRODUCT NOTICE	
	<p>The finish deteriorates if over exposed to the elements Colours, especially red deteriorate or alter in strong sunlight Be sure to check all Safety Notices on the side of the carton</p>

IMPORTER

TikkTokk Australia
 Unit 3, 280 New Line Rd
 Dural, NSW, 2158
 Australia