

FUGLEMAN™



SEGWAY



MADE FOR MORE

FUGLEMAN



Overseas models may be shown with accessories that are not standard fitment. Segway Powersports reserves the right to vary colours, specifications and pricing at any time. Please contact your local dealer for final specifications and pricing. From 11th October 2021 all Segway Snarler Quads sold in Australia will have a compliant QuadBar Operator Protection Device (OPD) fitted by the dealer at point of sale included in RRP. *RRP Pricing does not include any registration costs.



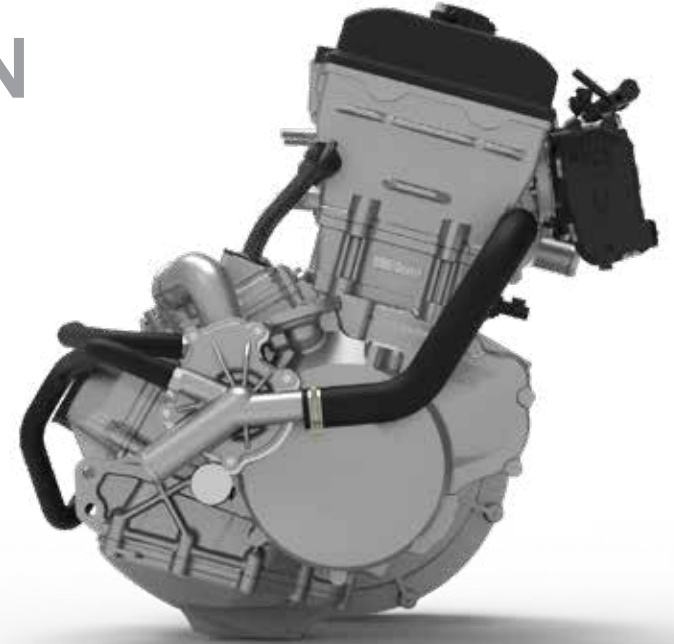
FUGLEMAN



DYNAMIC POWERTRAIN

1000CC liquid cooled, twin cylinder, 4-stroke, DOHC engine delivers max 105HP and 93.5N·m of torque. The 1000CC engine adopts the optimal design of insulator spark plug and optimized CAM. With the addition of electronic fuel injection system, the powertrain has good adaptability in high/low temperature and high altitude environment.

1000cc **MAX 105HP**
93.5N-m TORQUE



SMART MOVING & SMART FUN

SMART EPS, SMART COMMANDING SYSTEM (SCS), SMART MOVING APP

Segway's Smart EPS System is designed with standard/comfort/sport modes that will adjust automatically according to traction conditions. You can access the real-time data of your vehicle through Smart Commanding System (SCS). Add an SOS emergency contact person. In case of a serious collision/roll, the app will automatically send an SMS with location to that person.



- DRIVING SETTINGS
- WIRELESS TEAM UP
- REAL-TIME DATA
- INCIDENT - SOS
- AIRLOCK
- SECURITY



FUGLEMAN





SAFETY & PERFORMANCE

ADJUSTABLE HYDRAULIC SUSPENSION

The Front Dual-A Arm Independent Suspension travel is 280mm and the Rear Suspension travel is 270mm. The ground clearance is 320mm. It gives you a smooth ride over the roughest terrain.



PAYLOAD CAPACITY

680kg

TOWING CAPABILITY

700kg



FRONT AUTOMATIC DIFF-LOCK WITH 2WD/4WD SWITCH

Fugleman features a Spiral Angle Front Constant Drive Shaft, while the front axle differential enables the smooth switching between 2-wheel and 4-wheel drive. The Front axle differential lock can also be switched manually while moving, greatly improving the off-road performance.

4500lb WINCH

Deluxe spec Electric winch to pull up to 4500lb pounds and easily help you out of any trouble.

FUGLEMAN **UT10E**



ELECTRIC WHITE & RED



BOLD BLACK & GREEN



BOLD BLACK & GREY

FUGLEMAN **UT10X**



ELECTRIC WHITE & RED



BOLD BLACK & GREEN



BOLD BLACK & GREY

DRIVE SYSTEM	POWERTRAIN	Petrol Engine
	DISPLACEMENT	1000cc, 4-Stroke Twin-Cylinder, DOHC Engine
	MAX TORQUE	93.5 N.m
	HORSEPOWER	105 hp
	COMPRESSION RATIO	10.6
	FUEL SUPPLY	Electronic Fuel Injection
	FRONT AXLE	Switchable Diff-Lock
	DRIVE SYSTEM	On-Demand 2WD / 4WD
	SMART ELECTRONIC POWER STEERING (EPS)	Three Modes: Standard / Comfort / Sport
	COOLING SYSTEM	Duel Oil Column Piston Cooling System + Liquid & Oil Heat Exchanger Cooling System

SUSPENSION	FRAME	High-strength chromium-molybdenum steel frame
	REAR SUSPENSION & TRAVEL	Dual A-Arm; Rear Travel:10.6" (27cm)
	FRONT SUSPENSION & TRAVEL	Dual A-Arm; Front Travel: 11" (28cm)
	SHOCK	Oil Shock
	TYRES	Front Tyres 27 x 9-14 Rear Tyres 27 x 11-14
	WHEELS	Steel(14 inch) / Alloy(14 inch) with Beadlock Device *
	BRAKES	Four-wheel Hydraulic Disc Brake

DIMENSIONS	TOWING CAPABILITY	1543 lb (700kg)
	PAYLOAD CAPACITY	1499 lb (680 kg)
	BED BOX CAPACITY	1000 lb (450 kg)
	BED BOX DIMENSIONS	36.2 x 51.2 x 11.4" 92x130x29cm
	FUEL CAPACITY	12 gal (45 L)
	DRY WEIGHT	1720 lb (780 kg)
	WHEELBASE	82.1" (208.5 cm)
	GROUND CLEARANCE	12.6" (32 cm)
	VEHICLE SIZE	121.1 x 64 x 81.3" (307.5 x 162.5 x 206.5 cm)

*optional or standard fitment depending on your model specification, refer to the chart on the next page



UT10E

UT10X

RIMS	14" STEEL	14" ALLOY + BEADLOCK RING
TYRES	6 PLY 27"	6 PLY 27"
SHOCKS	OIL	OIL
WINCH	3500LB	4500LB
DOORS	NET	HARD
T-BOX SMART FEATURE	✓	✓
4 WHEEL DISC BRAKES	✓	✓
HITCH & MOUNTING BALL	✓	✓
SWITCHABLE FRONT DIFF-LOCK	✓	✓
FRONT BUMPER	✓	✓
HALF WINDSCREEN	✓	✓
SMART EPS	✓	✓
HARD ROOF	✓	✓
3 SEATS	✓	✓
10.4" TOUCH SCREEN	✗	✓



FEAR NO PLACE



Founded in 1999 by Dean Kamen in the USA, Segway Brand (hereinafter referred to as “Segway Powersports”) is an innovative company in the field of design and manufacturing, included but not limited to: Quad Bikes, Utility Side by Sides, Sport Side by Sides and On-road vehicles. Approaching the international market from a long-term perspective, Segway Powersports has numerous self-developed patented designs including a hybrid powertrain, internal combustion engines, a smart IOV system, advanced vehicle designs etc. Segway Powersports is a high-tech enterprise integrating a superior supply chain and its own factories. The company specializes in the R&D, production, sales and after-sales service of Powersports products. Segway Powersports adheres to the motto of “FEAR NO PLACE” and aims to be the leading on and off-road mobility solution provider. Segway Powersports is a subsidiary of the Segway-Ninebot Group which is a unicorn in the global smart mobility industry. Segway-Ninebot has three major business regions including Asia-Pacific, Europe and America, and its products are sold in more than 100 countries and regions around the world. It owns over 1,000 global core patents. By meeting the diverse, cool and fun needs of users, Segway-Ninebot continues to lead the industry with its new product development.



Dealership details:



www.segwaypowersports.com.au
www.segwaypowersports.nz

Overseas models may be shown with accessories that are not standard fitment. Segway Powersports Australia & New Zealand reserves the right to vary colours, specifications and pricing at any time. Apply for finance or order online today to pick up from your nearest Segway Powersports dealer.