

# ESSENCE

COFFEE GRINDER



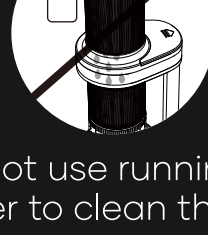
## TIPS FOR USERS

1. The whole machine is made of aluminum, can not be dropped or thrown, which may lead to deformation and can not be assembled again.
2. The machine can not be washed or dishwasher cleaning, washing may lead to intakes of water to the main unit, resulting in operation failure.
3. The bean container and powder container can be cleaned with a brush or cloth, water washing is not recommended.
4. The machine can be charged using certified charger in the country that you locate. Charging will be vary depending on the charger's specification. 5V2A output charger is the fastest and can be fully charged within 2 hours.
5. Grinder allows to use while charging.
6. It is recommended to adjust the required scale before adding the beans; if the scale is adjusted during the grinding process, may lead to the scale not aligning with the starting line.
7. Grinder will stop after finishing grinding in 8 Sec with red flash light \* 3 times
8. If the grinding process is jammed & red flash light \* 3 times, the machine will automatically stop, you need to open the bean container to check whether there are foreign objects inside? If there is, please manually remove them before turn on the machine to work again.
9. Grinding light baked beans/under 30 scale may trigger over-heat protection system, with red flash light \* 5 times. It may take 15 mins to allow system cool down.
10. If flashing red/orange/green light, grinder may happen over-flow current and will need restart to grind again
11. If flashing red light, grinder need re-charge till next grinding.

## Quick Start Guide

This Quick Start Guide is designed for first time use. For safety and more information, refer to your USER MANUAL.

### Important Safeguard Information



Do not use running water to clean the host.

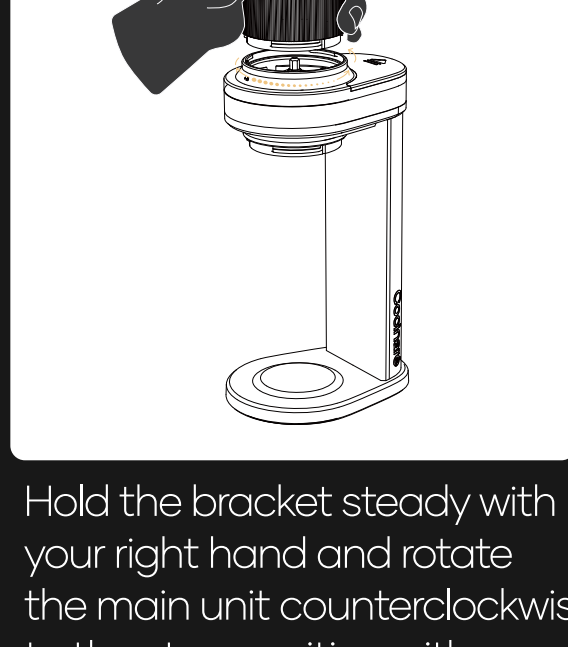


Do not immerse the body in water or put it in the dishwasher.



For safety, please use a charger that complies with safety certification for charging.

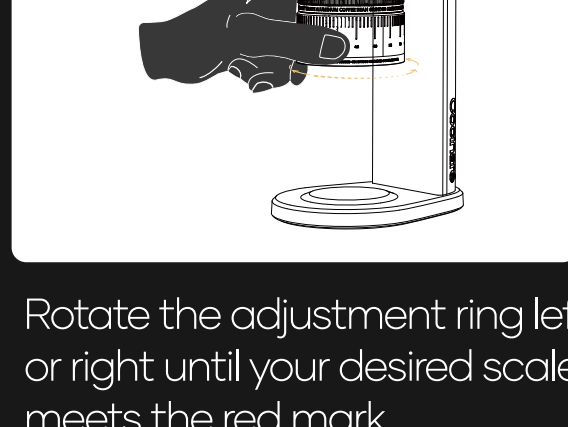
### Quick Guide



Hold the bracket steady with your right hand and rotate the main unit counterclockwise to the stop position with your left hand.



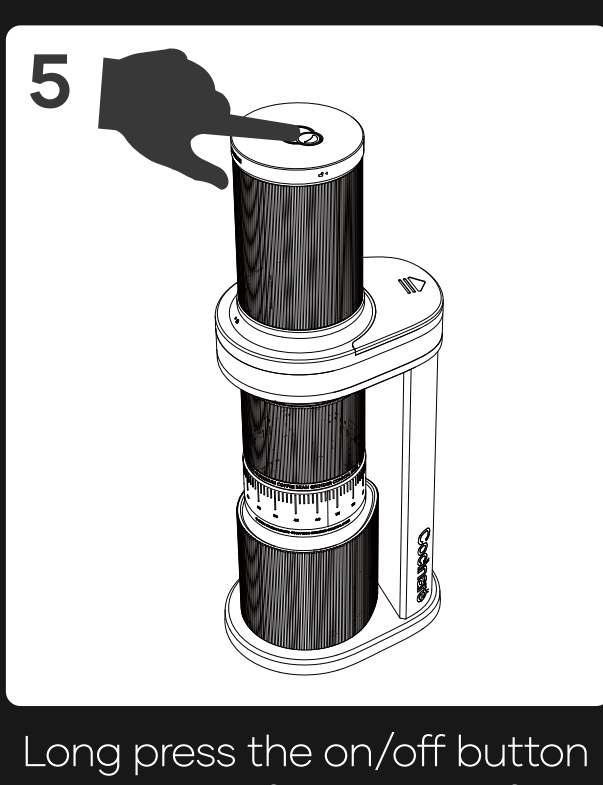
Hold the stand steady with your right hand and rotate the grinding unit counterclockwise to the stop position with your left hand.



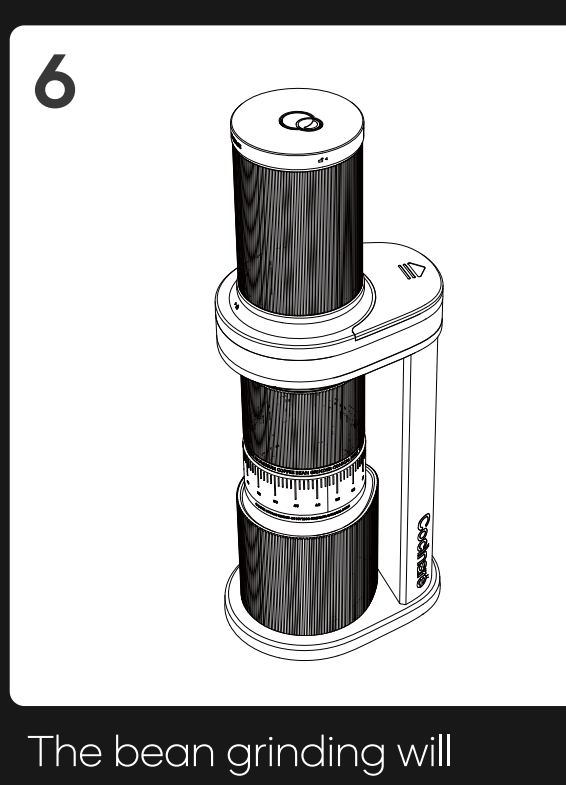
Rotate the adjustment ring left or right until your desired scale meets the red mark.



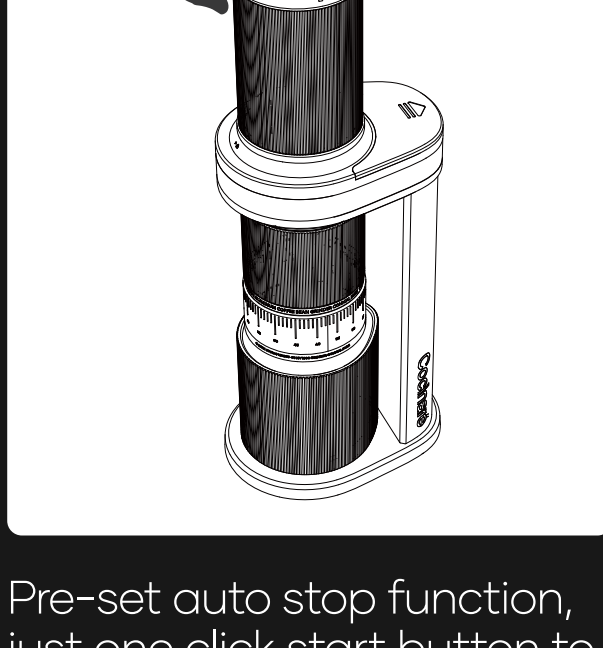
Use a spoon to add coffee beans to the bean container. Add no more than 50g in total weight.



Long press the on/off button for 2 seconds, the display light will be on and the grinding starts.



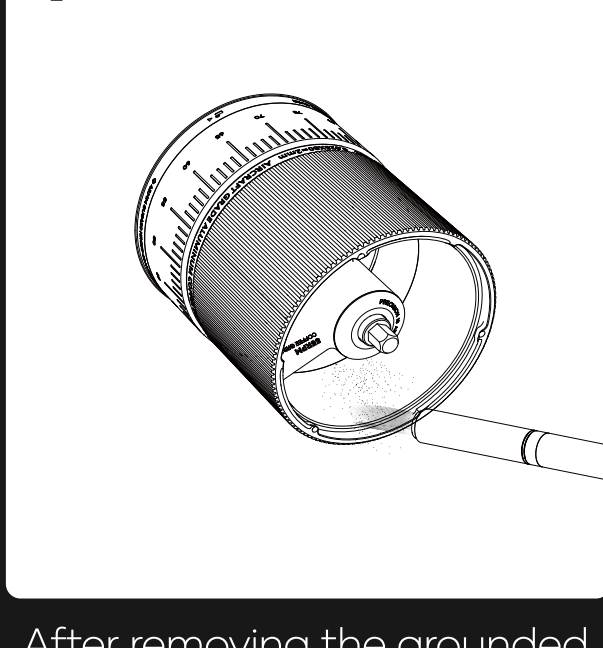
The bean grinding will automatically start when the device turned on.



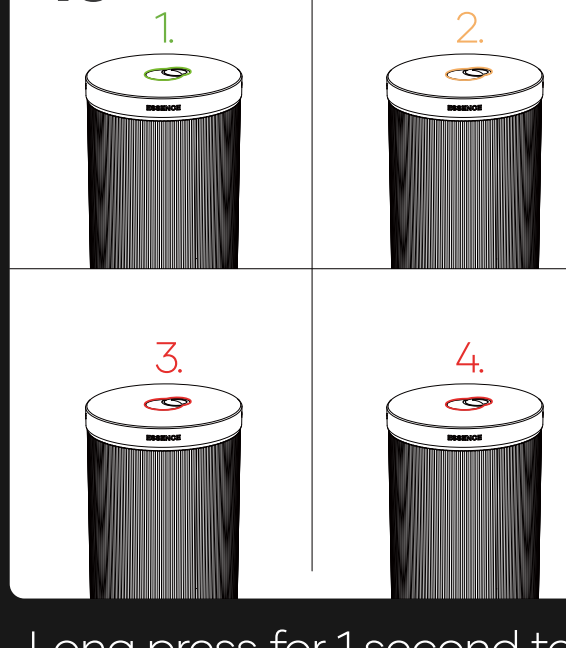
Pre-set auto stop function, just one click start button to discontinue grinding if you want. If not, machine will stop within 10 seconds after finish grinding.



Take the ground coffee powder from the powder cup below.



After removing the grounded coffee powder, clean the bean container and the powder container with a brush.



Long press for 1 second to check leftover power.

1. 51-100% power, green light is on;

2. 26-50% power, orange light is on;

3. 10-25% power, red light is on;

4. less than 10% power, red light flashes.

### Charging indicator light

When charging:

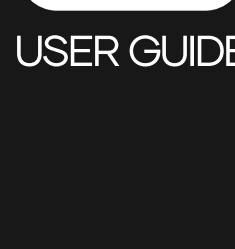
1. 0-25% power, red light flashes.
2. 26%-50% power, orange light flashes.
3. 51%-99% power, green light flashes.
4. 100% power, the green light is always on.



Tips for scale adjustment

## Questions or Concerns?

Scan the QR code to get more info about the product and our services.



USER GUIDE

ENJOY HEALTHY-TASTY MOMENTS WITH COCINARÉ

