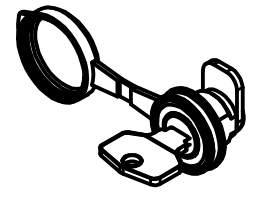
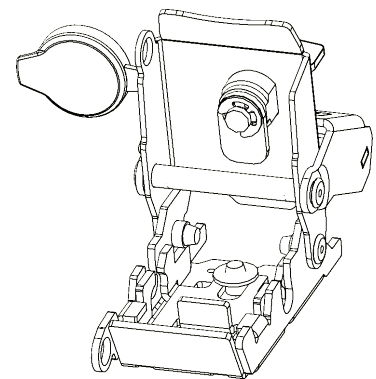
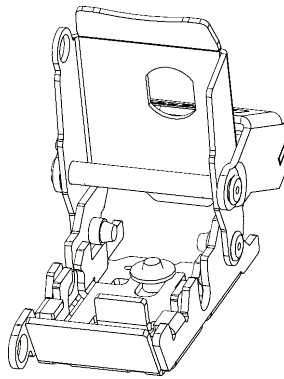
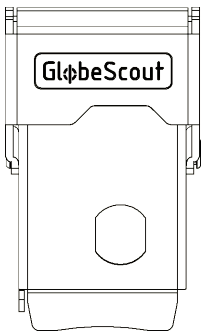


Unlocked

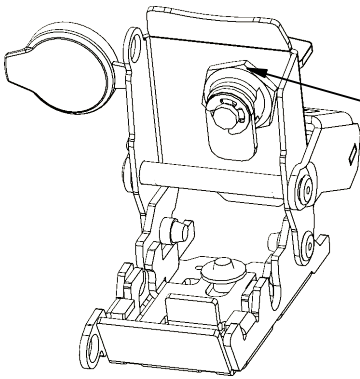


Locked

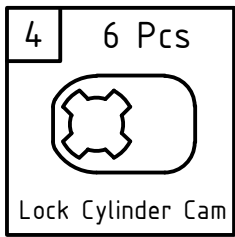
For lock mechanism type below:



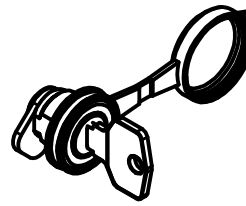
- Turn the key 90° clockwise to locked position
- Place the lock cylinder



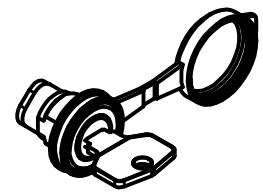
- Apply thread locking fluid
- Tighten with Special Tool #3
- Turn the key 90° counterclockwise to unlocked position



Scale 1:1

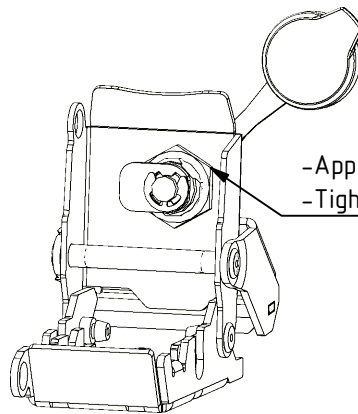
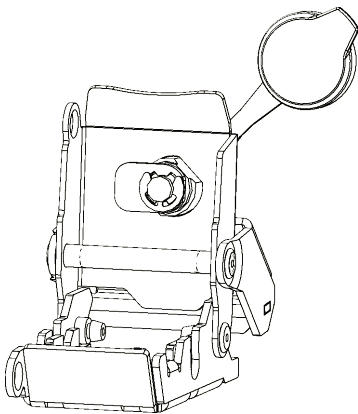
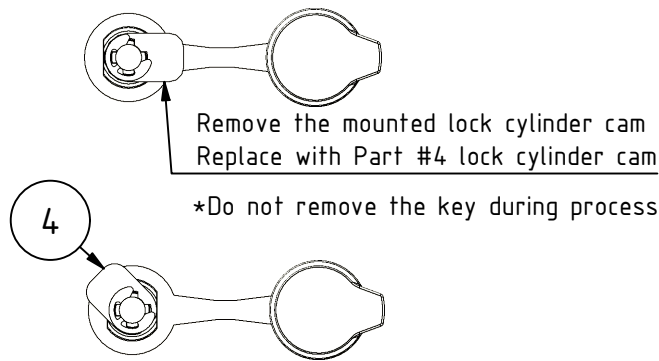
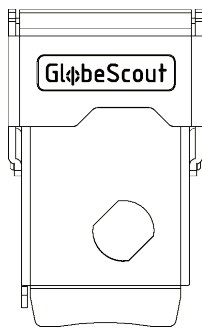


Unlocked



Locked

For lock mechanism type below:



- Turn the key 45° clockwise to middle position
- Place the lock cylinder
- Turn the key 45° counterclockwise to unlocked position