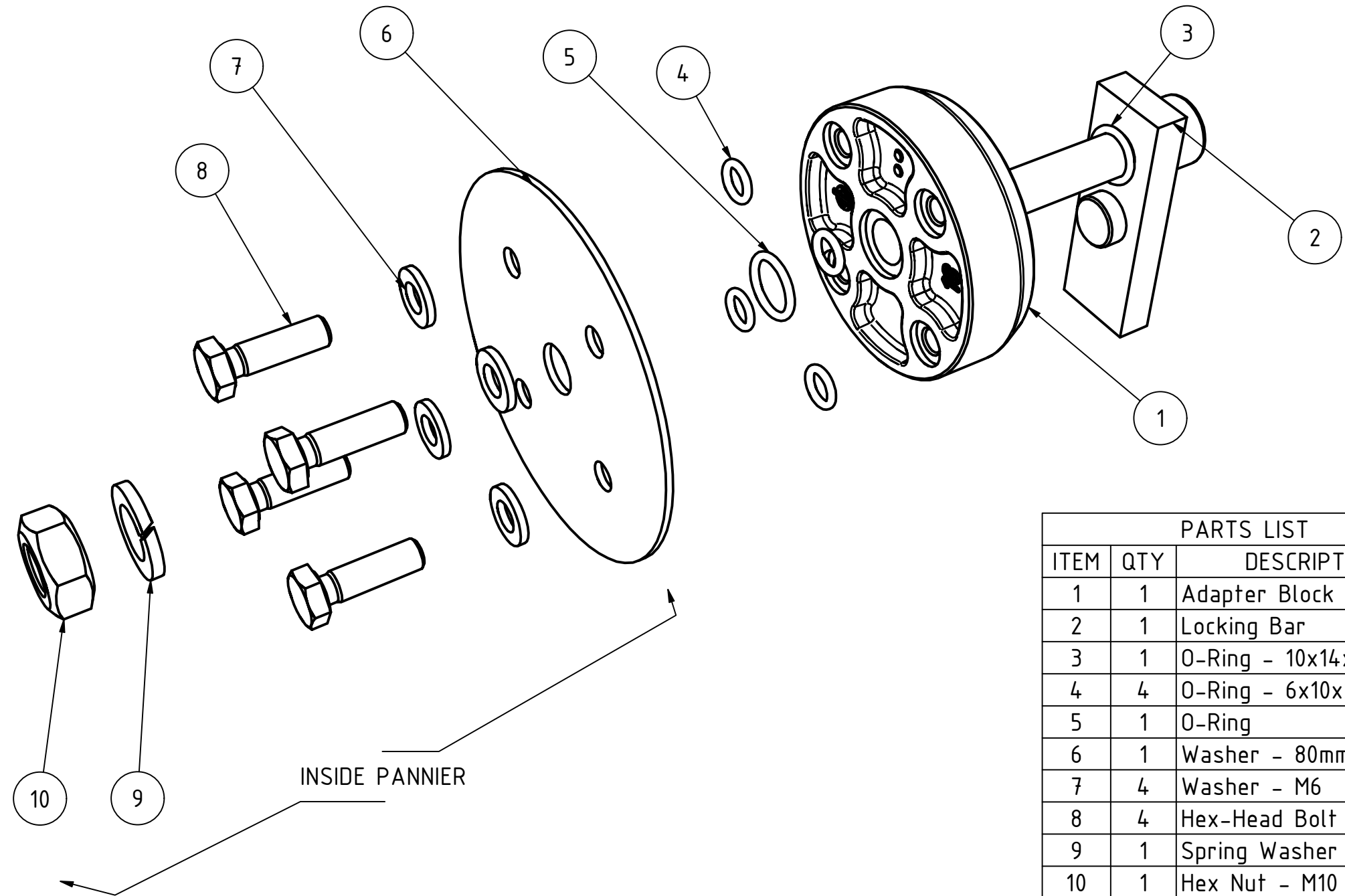


PARTS LIST		
ITEM	QTY	DESCRIPTION
1	1	Adapter Block
2	1	Locking Bar
3	1	O-Ring - 10x14x2
4	4	O-Ring - 6x10x2
5	1	O-Ring - 11x15x2
6	1	Washer - 80mm Dia
7	4	Washer - M6
8	4	Hex-Head Bolt - M6
9	1	Spring Washer - M10
10	1	Aluminium Nut - 65 / M10



PARTS LIST		
ITEM	QTY	DESCRIPTION
1	1	Adapter Block
2	1	Locking Bar
3	1	O-Ring - 10x14x2
4	4	O-Ring - 6x10x2
5	1	O-Ring
6	1	Washer - 80mm Dia
7	4	Washer - M6
8	4	Hex-Head Bolt - M6
9	1	Spring Washer - M10
10	1	Hex Nut - M10