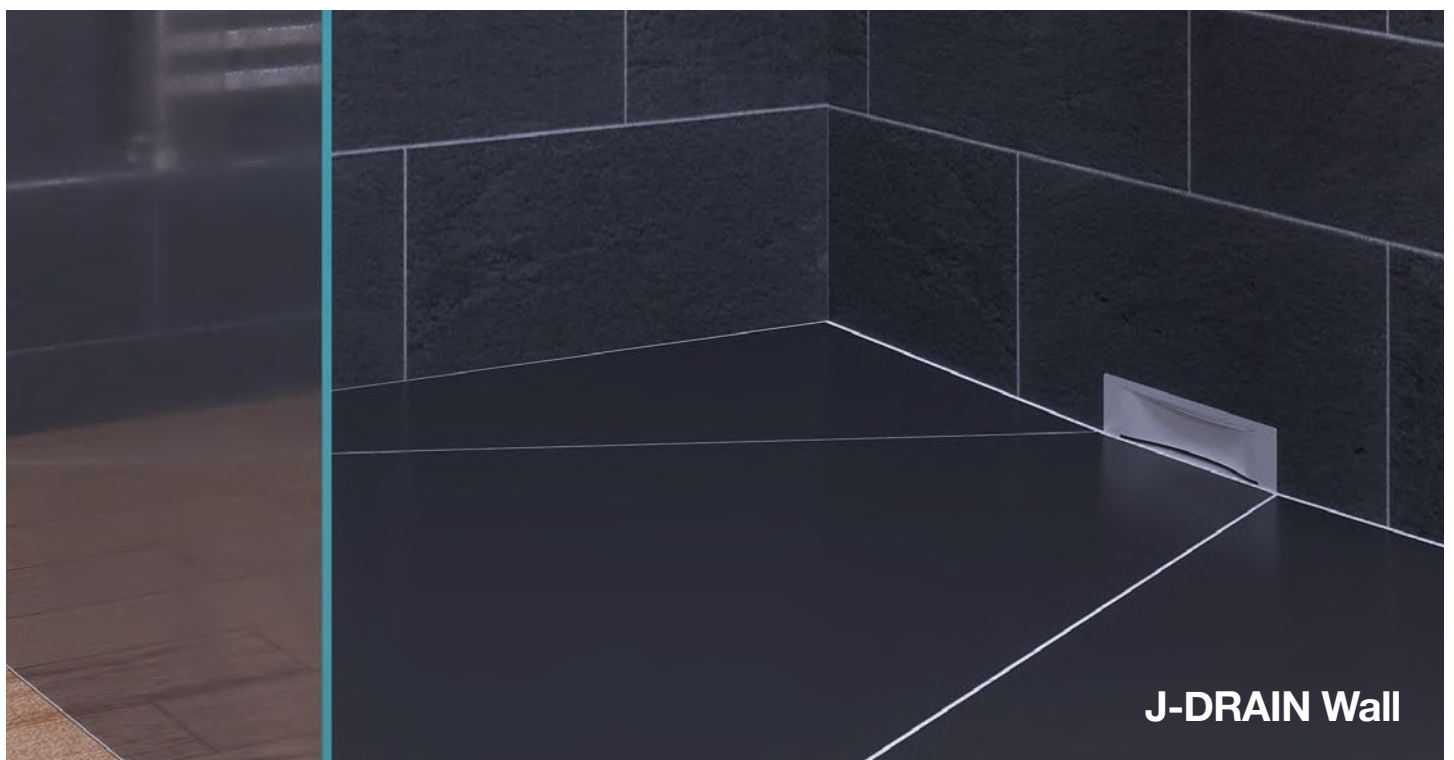


J-DRAIN

A range of independant drain systems
for walk-in showers

In combination with JACKOBOARD Shower Bases



J-DRAIN LINEAR & JACKOBOARD®

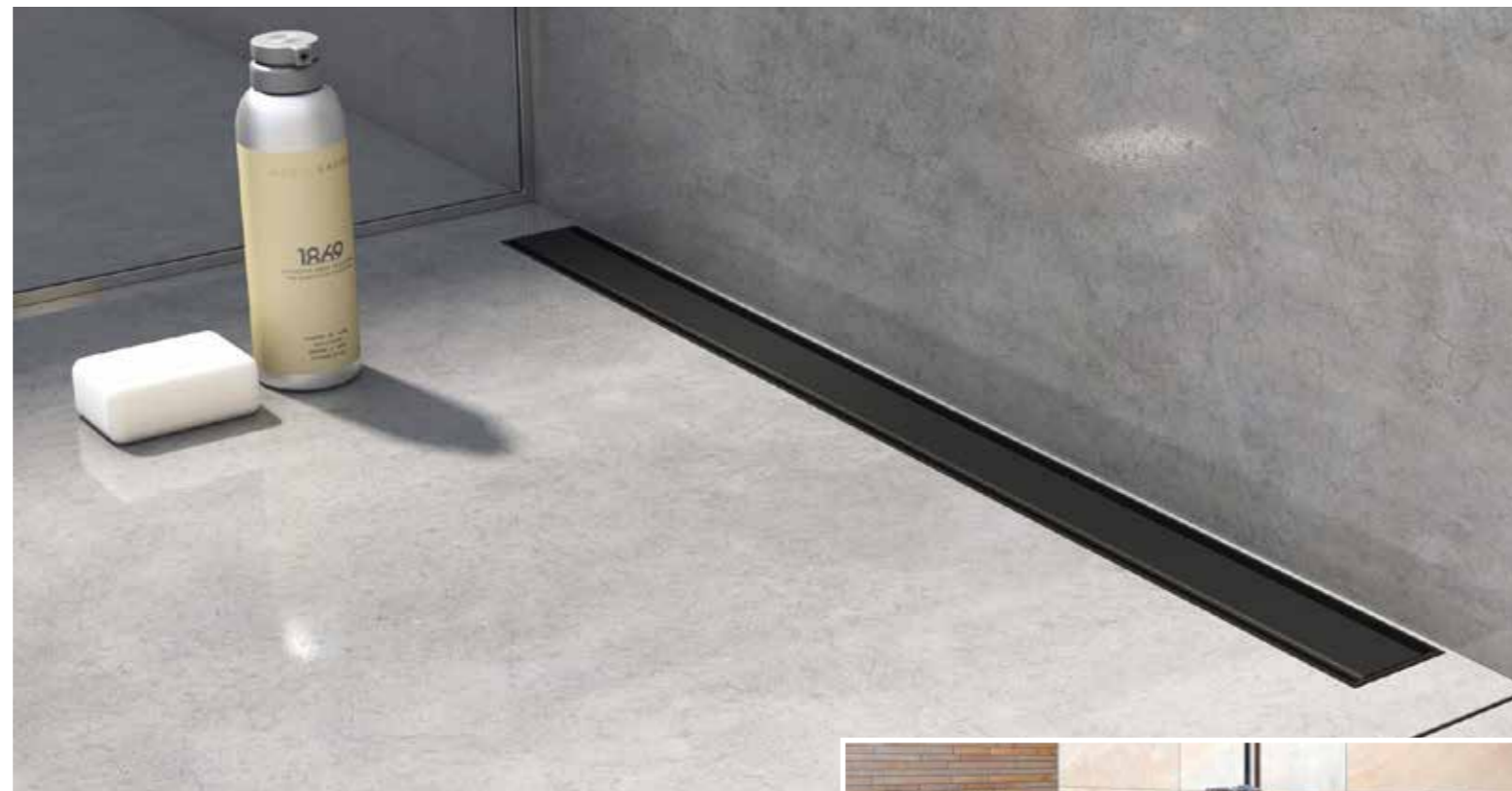
The high-tech design solution for a truly minimalist walk-in shower

If you're searching for a level-entry showering solution that combines ease of installation with complete peace of mind, then **J-DRAIN Linear** combined with **JACKOBOARD Sloping Boards** (and **JACKOBOARD Plano Boards** on the surrounding walls and floors) is your complete answer.

J-DRAIN Linear classic simplicity

Our ingenious and innovative solution delivers a totally waterproof, single fall (and thus easily tiled) shower base and linear drain that can be installed quickly and effectively.

And the design result, with the drain flush against the wall, is truly professional and elegant. Our **J-DRAIN Linear** is manufactured in dirt-resistant and antibacterial ABS plastic. The grate and siphon are easily removed for cleaning with direct access to the drainage pipe.



Adjustable grate height

The height of the drain grate can be altered to match the thickness of the adjacent tiles quickly and easily using the elevation blocks supplied with the grate. Tile and adhesive thicknesses of between 3mm and 30mm can be accommodated.

The standard brushed stainless steel grate can be reversed and tiled to match the rest of the floor to further enhance the minimalist design effect if required.

Alternatively a stylish Matt Black grate is held in stock while other colour grates are available to order.

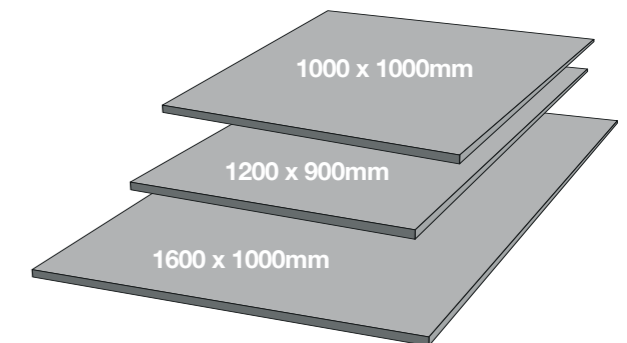


Stainless steel and Matt black

Corporate and unique styles are also available for project specifications.

A unique single-fall solution

By combining **J-DRAIN Linear** with **JACKOBOARD Sloping Boards** a waterproof single fall walk-in shower design is easily achieved.



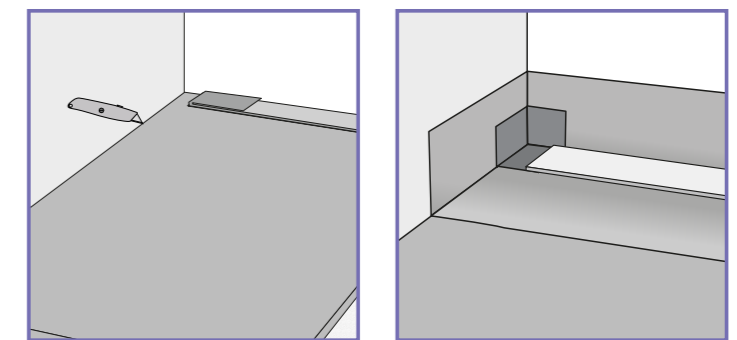
Bases are available in three popular configurations:

- 1000mm x 1000mm with a slope from 20mm to 7mm
- 1200mm x 900mm with a slope from 20mm to 7mm
- 1600 x 1000mm with a slope from 25mm to 7mm

Once the **J-DRAIN Linear** is installed in the floor (comprehensive separate installation instructions are provided for both solid and suspended timber floor situations) **JACKOBOARD Sloping Boards** to the required dimensions are offered up to the drain unit. The boards are easily trimmed to size if needed.

Simple installation

The waterproof membrane attached to the drain is then bonded over the waterproof **Sloping Board** and then all joints sealed using **JACKOBOARD Waterproof Sealing Tape**. Tiling of the walls and floor can now begin.



A design led solution

Whether you are a designer or homeowner, the unique **J-DRAIN** combined with **JACKOBOARD Sloping**

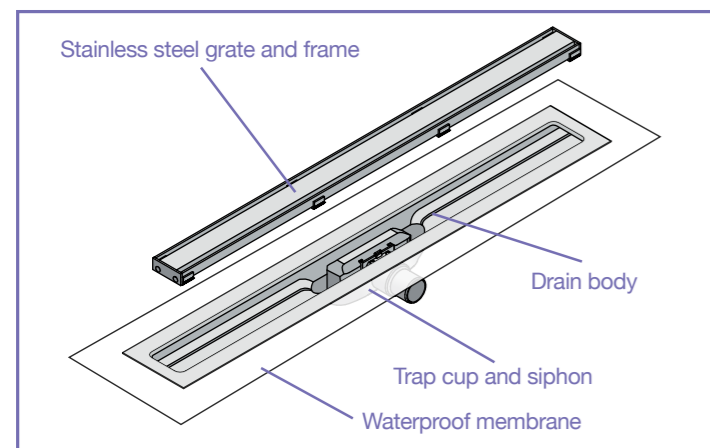
Board system provides an elegant, streamlined and contemporary answer to creating the ultimate walk-in shower experience.



Widest range of drain lengths

J-DRAIN Linear is available in a wide range of lengths with grates to suit just about every design requirement.

Our standard range offers lengths of 600, 700, 800, 900, 1000 and 1200mm.



The unit incorporates a 330mm pre-glued waterproof membrane which is then bonded to the **JACKOBOARD Sloping Board** to achieve a totally waterproof showering solution.

J-DRAIN Linear delivers a drainage capacity of 27.5 l/minute.

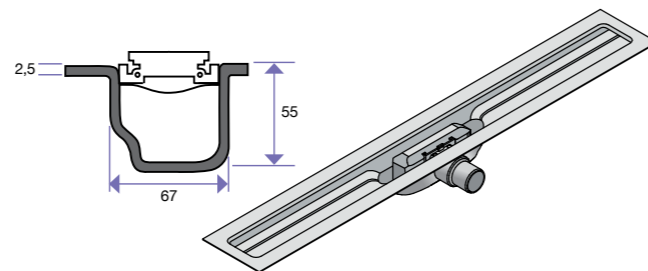
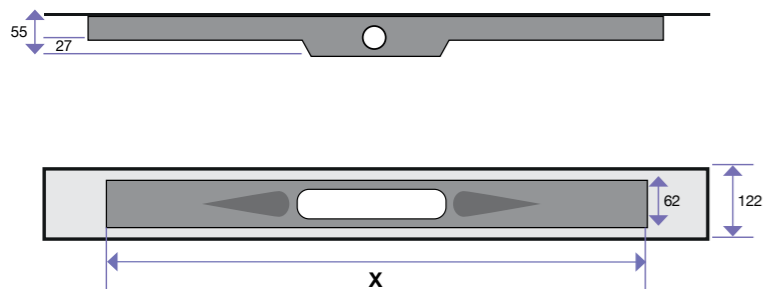
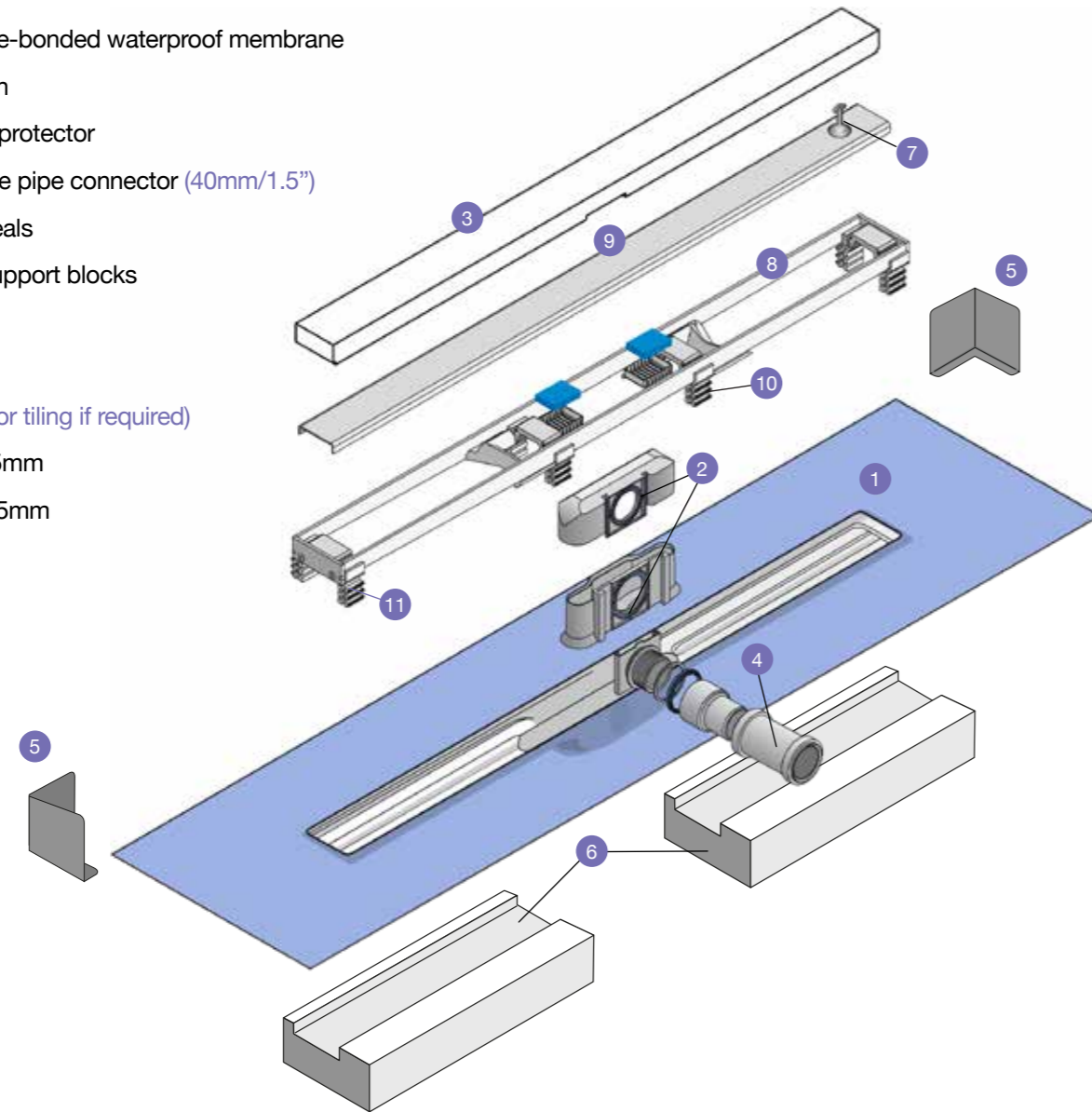
Low installation height

With an installation height of just 54mm **J-DRAIN Linear** is easily fitted in both renovation and new-build projects.

What's more, our unique combination of **J-DRAIN Linear** and **JACKOBOARD Sloping Board** is suitable for both solid and suspended timber floor constructions.

System Components

- 1 ABS drain with pre-bonded waterproof membrane
- 2 Water Trap/Siphon
- 3 Tile Guide/debris protector
- 4 Threaded drainage pipe connector (40mm/1.5")
- 5 2 x PVC corner seals
- 6 2 x polystyrene support blocks
- 7 Grate lifter
- 8 Grate frame
- 9 Grate (reversible for tiling if required)
- 10 16 x riser blocks 5mm
- 11 8 x riser blocks 2.5mm



Drain Lengths						
x	600	700	800	900	1000	1200

For full installation instructions please see **J-DRAIN Linear Installation** leaflets for fixing in suspended timber floors and solid floors, available from Jackson UK Ltd.

J-DRAIN WALL

The amazing stand-alone drain system for walk-in showers

In combination with special **JACKBOARD** Wall Drain Shower Bases



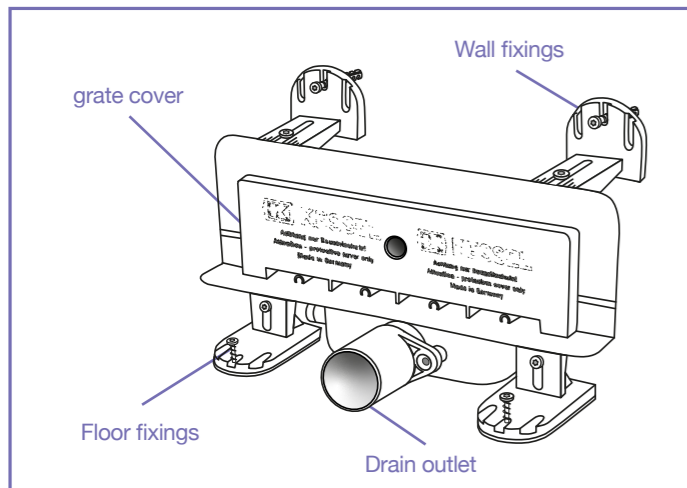
J-DRAIN WALL & JACKOBOARD®

Achieving an almost invisible drain solution for walk-in showers

Our prize-winning design **J-DRAIN Wall** in conjunction with **JACKOBOARD Wall Drain Shower Bases** delivers a truly minimalist and exclusive walk-in shower solution!

The brushed stainless steel drain cover sits vertically on the end wall of the shower and is available in a choice of three different styles - flat, curved or tileable.

The drain body and outlet connections are cleverly concealed behind a 'false wall' - and so never before has a shower drain been so subtle or unintrusive!



Choice of connection positions

The **J-DRAIN Wall** is easily connected to the drainage system via a front, left or right outlet position.



The unused outlets are then simply covered with the blanking plugs and screws provided. This versatile system makes for fast and easy installation.

And **J-DRAIN Wall** delivers an impressive drainage capacity of 30 litres/minute.



Height and depth adjustable

The adjustable 'legs' of the **J-DRAIN Wall** allow for easy positioning of the overall installation height from 80 to 215mm up to the top edge of the floor tile.

In a similar way, the depth-adjustable 'arms' of the **J-DRAIN Wall** allow for positioning of the drain body away from the original wall from 136 to 195mm.

This allows for the critical installation of a 'false wall' which neatly conceals the drain body and the drainage pipe connection.

Engineered to perfection

The **J-DRAIN Wall** is manufactured in dirt-resistant and anti-microbial ABS plastic. The grate cover, trap and siphon are easily removed for cleaning and maintenance, with a water trap height of 22mm.



Critically, the **J-DRAIN Wall** incorporates a pre-bonded waterproof membrane surrounding the grate cover area which delivers a totally reliable waterproof seal over the surrounding area.

The grate cover itself can be easily adjusted for height and depth to achieve a snug and pleasing fit against the floor and wall tiling.

Choice of drain covers

J-DRAIN Wall brushed stainless steel grate covers are available in range of styles.

Flat finished covers accommodate tile thicknesses of 10mm and up to 17mm, while curved and tileable versions take tiles up to 10mm thick. The tileable version delivers an almost invisible integration into the shower concept.



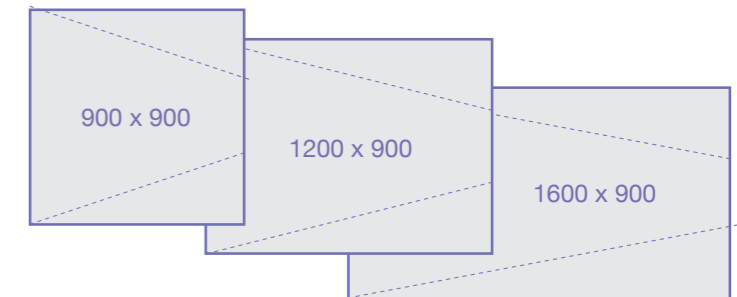
JACKOBOARD Wall Drain Shower Bases

Our **J-DRAIN Wall** is designed to work exclusively with unique **JACKOBOARD Wall Drain Shower Bases**.

These totally waterproof tileable shower bases feature twin falls which run from the drain grate width to the corners of the bases.

Bases are available in three popular configurations:

- 900 x 900mm with a fall from 7mm to 20mm
- 1200 x 900mm with a fall from 30mm to 7mm
- 1600 x 900mm with a fall from 30mm to 7mm



Simple installation

Once the **J-DRAIN Wall** is installed within the 'false wall' (comprehensive installation instructions are available from Jackson UK Ltd) a **JACKOBOARD Wall Drain Shower Base** of the required dimension is offered up against the drain unit.

If necessary, the bases can be easily trimmed to match the required project size.

The waterproof membrane attached to the drain is then adhesive bonded to the shower base and surrounding wall, and all other joints sealed using the **JACKOBOARD SealingKit**.

It's important to note that no further membranes or coatings are required to achieve a totally waterproof substrate for tiling.

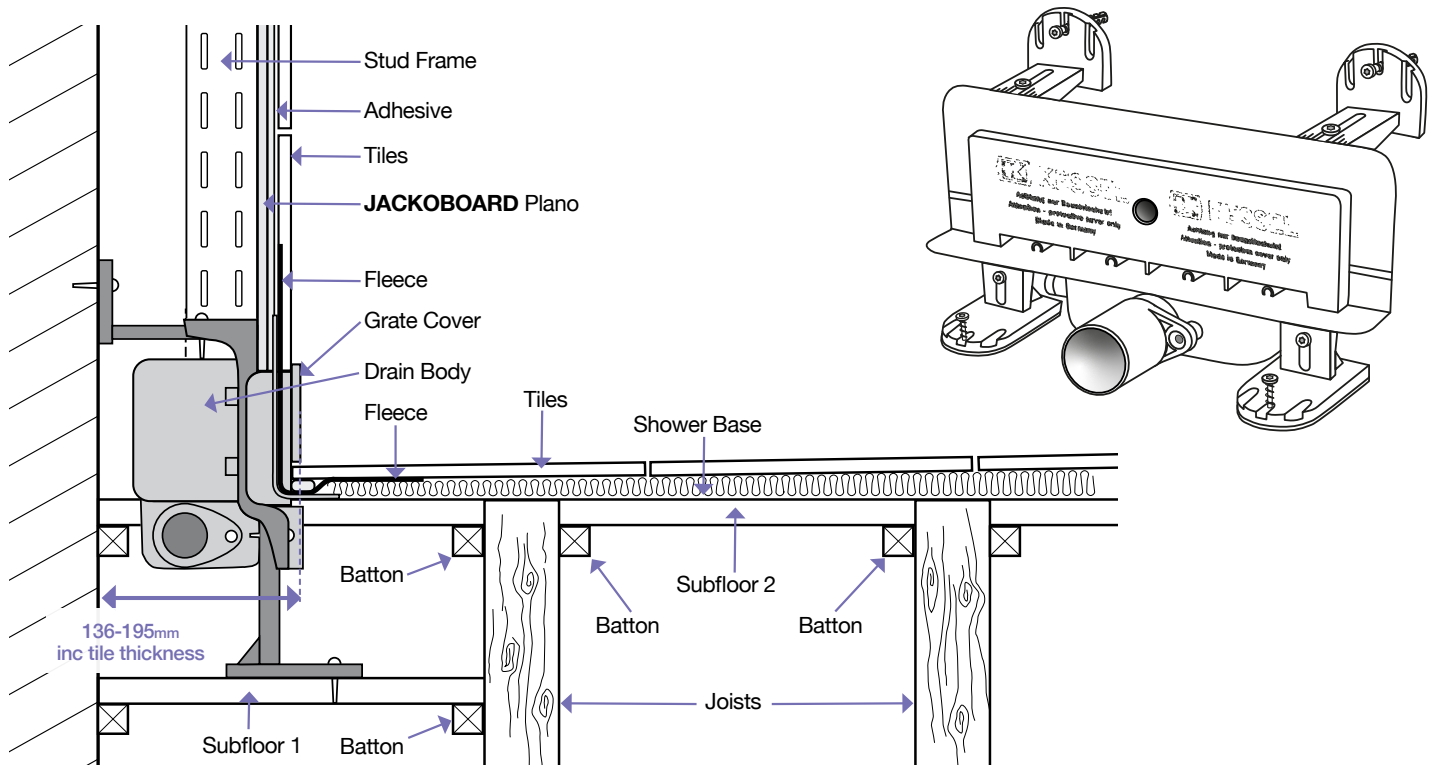
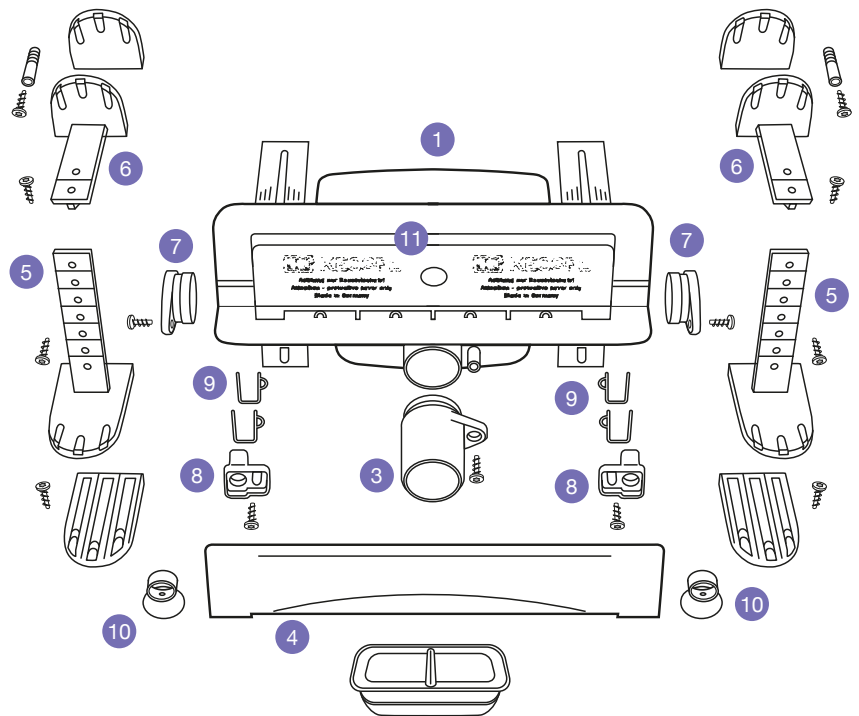
The base and walls are then tiled, making sure that the valleys of the falls on the base are matched by the tile cuts.

A contemporary and design-led solution

Whether you are a bathroom designer or home-improver, the unique combination of **J-DRAIN Wall** and **JACKOBOARD Wall Drain Shower Bases** delivers an elegant, unobtrusive and thoroughly modern solution to achieving the ultimate walk-in shower or wetroom experience.

System Components

- 1 ABS Drain Body with pre-bonded waterproof membrane
- 2 Water Trap & Siphon
- 3 Drainage Pipe connector (40mm/1.5")
- 4 Brushed Stainless Steel Grate*
- 5 Floor Fixings
- 6 Wall Fixings
- 7 Blanking Plugs
- 8 Grate Fixings
- 9 Grate Fixing Adjustors
- 10 Grate removers
- 11 Protective cover



For full installation instructions please see **J-DRAIN Wall Installation** leaflets for fixing in suspended timber floors and solid floors available from Jackon UK Ltd.

The information provided in this leaflet is based on our knowledge and experience to date. It does not constitute a guarantee in the legal sense. When using these products please bear in mind the particular circumstances of the intended application, especially in regard to physical, legal and technical restraints.