

Fitting Instructions Falcon 30 Shower Tray



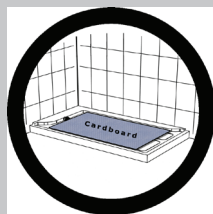
- Falcon 30 is a fully customisable tray, that can be cut to almost any specific length.
- An end cap is provided if you are cutting a tray down by up to **300mm**.
- See the table below to see how best to achieve common non-standard tray sizes.
- Falcon 30 trays are not handed.

Tray	Standard Length	Standard Width	Cut Down To	Cut Down To	Cut Down To
FALC30-900x900	900mm	900mm	-	-	-
FALC30-1000x1000	1000mm	1000mm	-	-	-
FALC30-1300x700	1300mm	700mm	1200x700mm	-	-
FALC30-1400x800	1400mm	800mm	1300x800mm	1200x800	1100x800mm
FALC30-1500x700	1500mm	700mm	1400x700mm	-	-
FALC30-1800x700	1800mm	700mm	1700x700mm	-	-
FALC30-1800x800	1800mm	800mm	1700x800mm	-	-

Falcon 30 trays can be pre-cut to a standard or bespoke length at the factory **FREE OF CHARGE** when instructed at the time of placing an order.



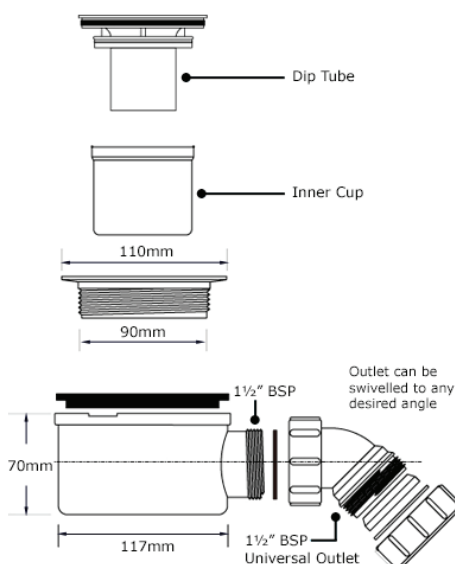
SUITABLE for showers with an output of **UP TO 15 litres per minute**



IMPORTANT to protect the shower tray from being marked whilst being installed, please cover with a cardboard covering



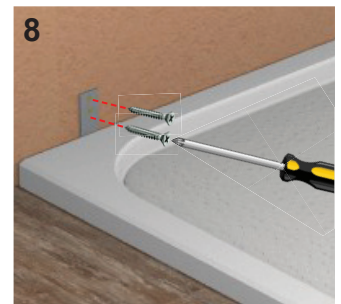
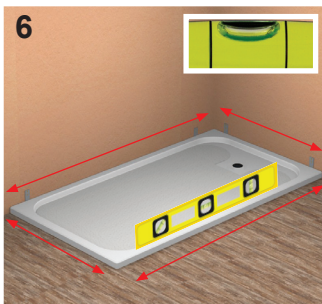
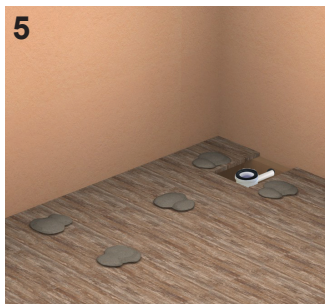
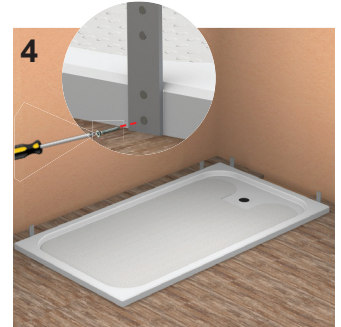
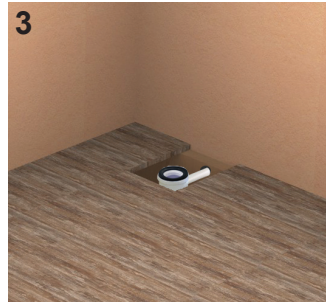
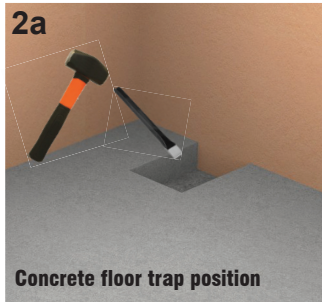
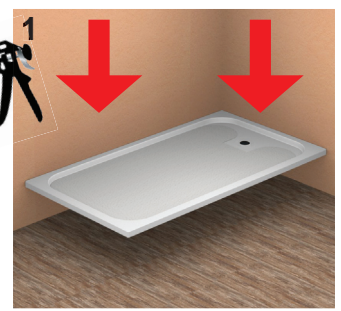
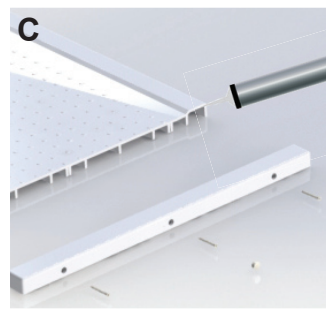
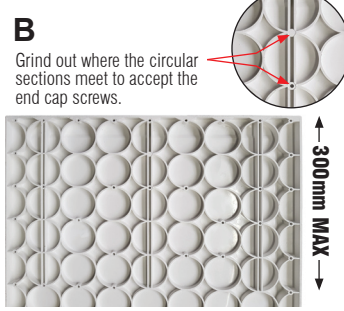
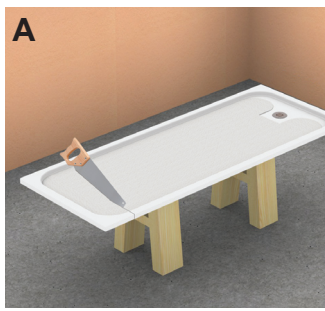
For technical assistance with your installation or any other technical help please call: **0845 402 9924**



ST90CPB-P-70 Gravity Waste

- Standard trap with 50mm water seal for use with a shower tray with a 90mm diameter waste.
- Only 70mm in depth.
- 110mm Chrome plated, brass flange and petal grid fitting.
- Flow rate approximately 35 litres per minute.
- 1 1/2" multi fit outlet, which can be swivelled to any desired angle.
- Simple to install.

FALCON 30 Shower Tray Fitting Instructions



CUTTING TO LENGTH & END CAP DETAIL

- **ALL** Falcon 30 trays can be cut to length.
- An end cap is available for bath replacement trays & trays which you intend to be cut to a custom length.
- End cap **NOT** available for: 900x900 & 1000x1000.
- To be able to attach the end cap you **MUST NOT** cut the tray down by more than 300mm in length.

A. An end cap is used to conceal the cut end of the tray to achieve a custom length shower tray & to allow you to tile flush onto the tray edge & up the wall.

B. The tray has 3 screw ports formed into the tray underside. Using the screws provided screw the end cap to the cut edge.

TIP: It may be necessary to file / grind the end of the screw port channel to accept the screw.

C. Use a 2 part structural adhesive for composites to attach the end cap to the cut end of the tray, filling the screw ports & covering the screw heads also to form a strong bond.

*Always follow the manufacturers directions.

D. Once set, apply a neat bead of white antibacterial silicone sealant to complete the joint. Push on overs caps are provided to conceal the screw access holes.

1. Locate the Falcon 30 in the corner / alcove which it is going to be finally positioned in.

2. Mark the shower trap position through the trays waste & decide upon the position of the waste pipe. Cut out the room flooring as required to suit the trap & pipework using a suitable saw.

CONCRETE FLOOR: Excavate within your marked trap position area to a sufficient depth of approximately 75mm deep to accept the trap body & pipework.

3. Place the ST90CPB-P-70 trap in position & connect to the outlet pipework. Remove the traps chrome plated flange & set aside, this will be required later.

4. 4 x fixing brackets are provided to fix the shower tray to the wall. Attach them to the tray edges which will touch the walls as shown.

TIP: Use the bottom most hole of the bracket to attach it to the tray & you will use the top 2 holes to attach to the wall later.

5. Use a weak sand and cement mix to help key the tray in position & to avoid any slippage during installation. You may wish to apply a unibond type sealant to the underside of the tray to achieve good adhesion between the cement & the tray.

6. Using a spirit level, ensure the tray sits level on the bathroom floor along all 4 edges. You may need to pack beneath the tray to achieve this.

7. The trap can now be re-assembled by attaching the trap chrome flange through the tray waste outlet on to the trap body.

8. Secure the shower tray to the wall using the wall brackets which you previously attached to the tray.

TIP: It may be necessary to recess the bracket into the wall by removing some of the plaster.

YOU ARE NOW READY TO COMPLETE THE TILING OF YOUR SHOWER AREA & FIT YOUR CHOICE OF SHOWER DOORS.

Technical Helpline: 0845 402 9924