

Guaranteed
for
10 yrs

AKW[®]
Life Made Better

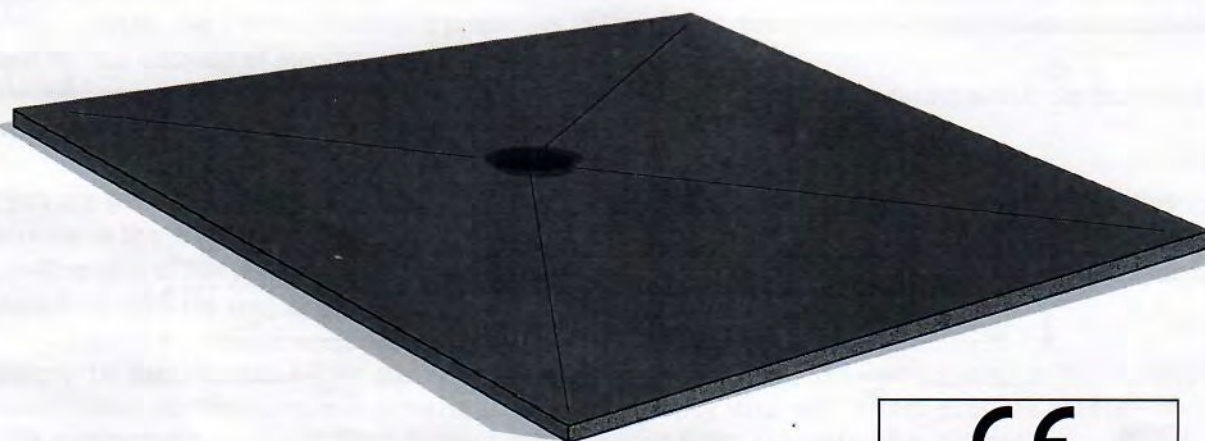
DuraForm

Wet Floor Former



Installation Instructions & User Care Instructions

i Suitable for concrete or wooden floors.
Suitable only with tiles.



i Not suitable for vinyl or safety flooring.
Shower seats with legs are unsuitable.

CE

AKW Limited
Pointon Way, Hampton Lovett
Droitwich Spa, WR9 0LR
15
DoP 14-011-023
PH
EN 14527: 2006+A1: 2010
CL1+CL2

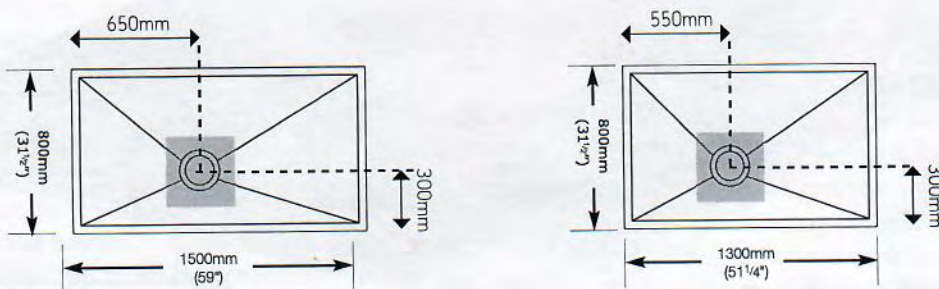
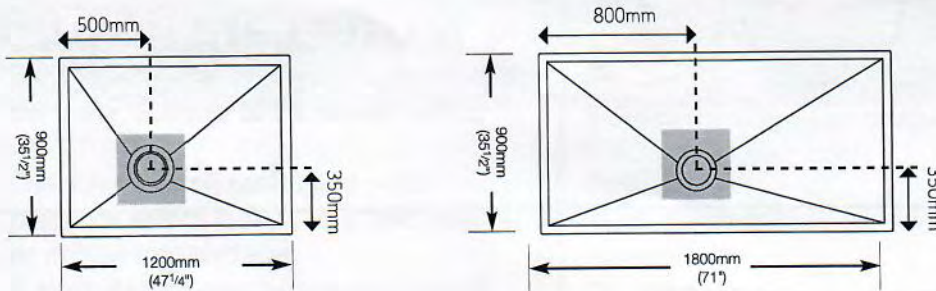
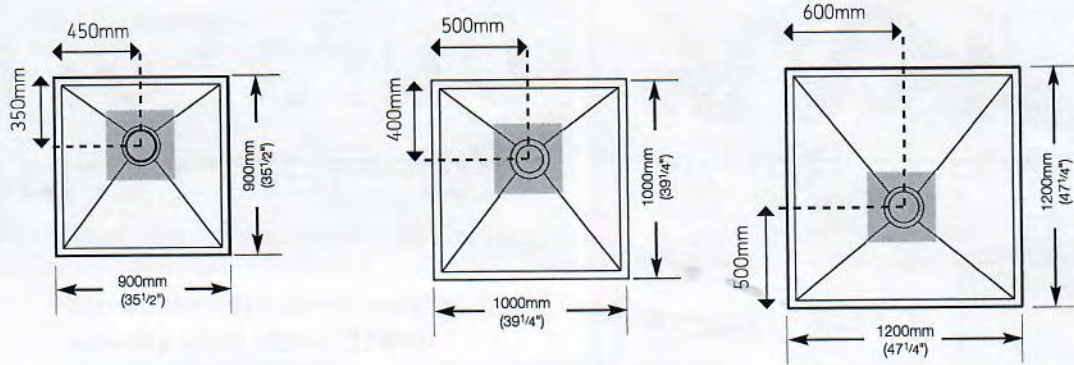
Installer- please read all instructions carefully before installation
and leave these instructions with the end user for future reference


AKW[®]
Life Made Better

DuraForm - Wet Room Shower Former Range

Guaranteed for **10** yrs

Former Top View - Sizes are approximately used as guides



 Do not cut into the metal waste support area 400x400mm



By rotating the rectangular formers by 180°, the waste position location can be moved to avoid the joists.

DuraForm

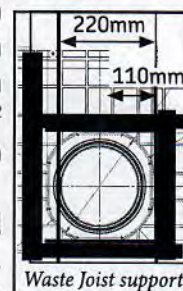
DuraForm - Assembly and important information

i DuraForm is designed for solid floor and wooden floor installations.

Please ensure that you read these instructions in full before commencing work.

The DuraForm wet floor former is designed to be installed into concrete floors or on top of wooden floors supported by a reinforced sub floor and then tiled over. DuraForm is also designed to work with a waste drainage system and a waterproofing membrane tanking system.

DuraForm accommodates many different waste options GW50-GW19 with a Stainless Steel waste adaptor which includes 2 different adaptor rings to suit most tile heights. Also a dry trap waste for tiled floor GW90-2(LB00101). All wastes must be supported underneath with an additional subfloor platform. The centre of the waste unit must be at least 80mm away from any of the floor joists but must be also fully supported minimum 220mm² around the circumference of the waste outlet position with additional joists/noggins to ensure that there is no flexing. Ensure that your waste option is suited to your installation. Before installing your DuraForm former, you should consider your desired wet room layout, the position of the supporting floor joists and the waste pipe exit route.



The DuraForm former has an offset waste position and can be rotated by 180° degrees so that can avoid the joists and noggins. This will allow you to install the waste into the spaces between the floor joists and achieve your desired wetroom.

You will need to consider which waterproofing membrane treatment you are going to apply to the floor and walls in your wet area. AKW® recommends FormSafe® waterproofing membrane tanking kit system which has been specifically designed to work with all of AKW® wetfloor formers.

Before tiling, you will also need to consider how you are going to reinforce the rest of the wetfloor area. To provide a robust sealed floor surface for tiling, the floor must be reinforced. Traditionally this has been done by adding a plywood sub-floor underlay or backer board to support the former.

Only when DuraForm is supported and the surrounding floor is level can a waterproof barrier, such as FormSafe®, be applied and then tiled over. Follow separate waterproofing system instructions for further details. The thermal insulating properties of DuraForm make using this type of board construction ideal for the addition of electric underfloor heating.

The insulating properties will optimise the performance of the underfloor heating which can be installed over the shower former to further enhance the wetroom showering experience.

If you are going to cover your existing floor with underfloor heating, you will need to allow for this increase in the finished height of the surrounding floor during installation. Adjust the height of the sub-floor and of the platform that is supporting the drain body so that the edges of the installed former finish flush with the rest of your tiled bathroom floor.

Failure to install this AKW® product in accordance with supplied instructions, or the making of unauthorised modifications will invalidate any warranty and will affect product safety.

AKW guarantees your wet floor former for 10 years from the date of purchase.

When correctly installed in accordance with these instructions and finished with a tiled floor your DuraForm wetroom former will be suitable for 25stone / 158kg user.

i **Note:** Shower Seats with feet are unsuitable and must not be used with this DuraForm Former. Vinyl or safety flooring is unsuitable and must not be used with this DuraForm Former. Do not use gypsum based dry-wall adhesives to install a DuraForm. "Dot-&-Dab installation". Use a moisture resistant flexible adhesive and follow manufacturer's guidelines.

Screeded & Solid Floor Installation Instructions

DuraForm Gravity Waste- GW19/GW50/ GW90



Be careful of pipe work or underfloor cables as risk of shock can be present. Turn off the mains electric supply before starting any work.

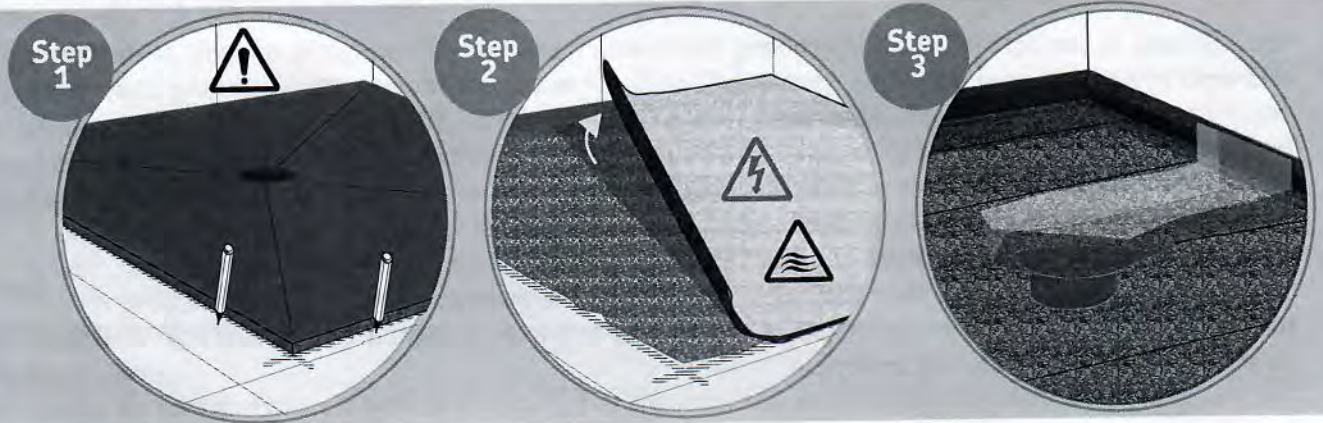


Never use power tools if you are standing in water or on a wet surface. Caution when using power-tools indoors and in wet room areas can be still be dangerous to electric shock. Use cordless power tools that are double insulated.



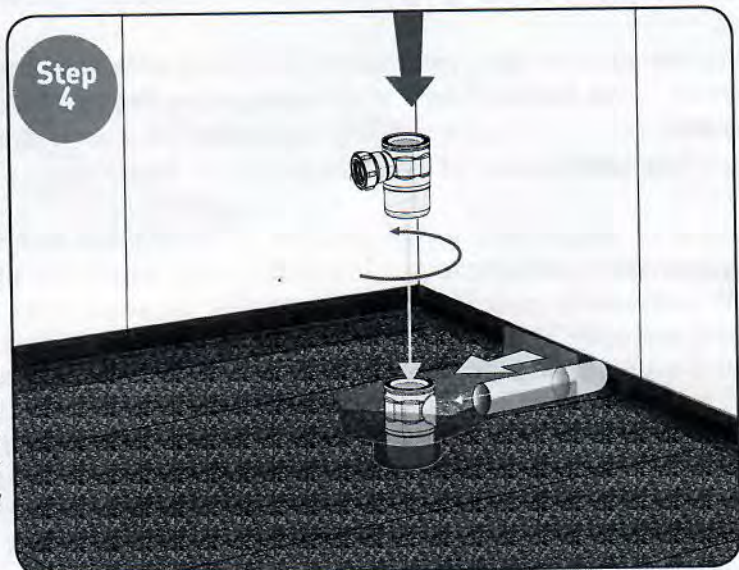
- Step 1.** Position the DuraForm over the desired location for the shower. Mark around the edge of the shower former.
Step 2. Remove the Duraform former and start to remove any tiling or vinyl flooring to expose the concrete flooring. Dig out the floor area and remove any hard material for the screeded area and waste drain outlet.

Step 3. When installing the DuraForm into concrete floors, use AKW® DuraForm Waste Adaptor with wastes GW50 GW19 or GW90 waste kit. Depending on the depth of the waste trap more or less concrete will need to be removed to allow the waste pipe to reach an outside gully. For the GW50, approximately 130mm (5 1/4") depth is needed under the waste position to allow installation. Use a high quality pipe system for all buried connections. Follow separate waste installation instructions. **The DuraForm Former must be fully supported on a levelling screeded sub floor supporting all edges and the waste area must be supported.**



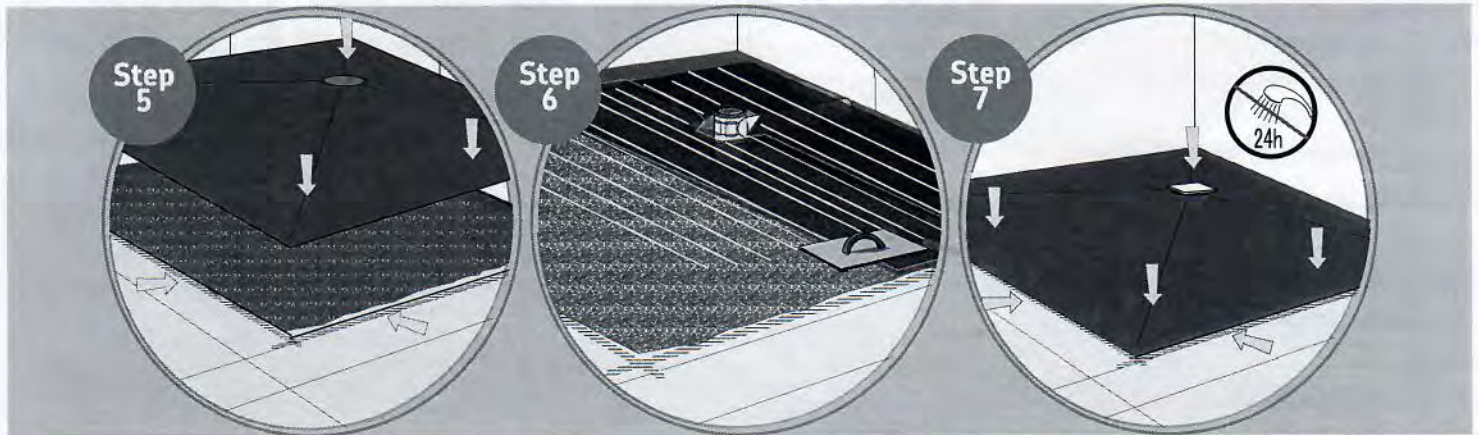
Step 4. Connect the waste trap to 1 1/2" waste outlet pipe and test for leaks by pouring water into drain to ensure that it is water tight as it will not be possible to return to it once the former has been installed. Ensure that the rubber seal is fitted to top of the waste drain. The bottom of the waste must be supported. The edges of the DuraForm must finish flush and level with the top of the finished screed top surface, which should also be level.

Sand and cement mix may then be applied to create a subscreed base area 22mm (7/8") lower than the finished floor height to hold the former firmly in position at installation. Allow the cement mix to harden before applying any bonding adhesive.

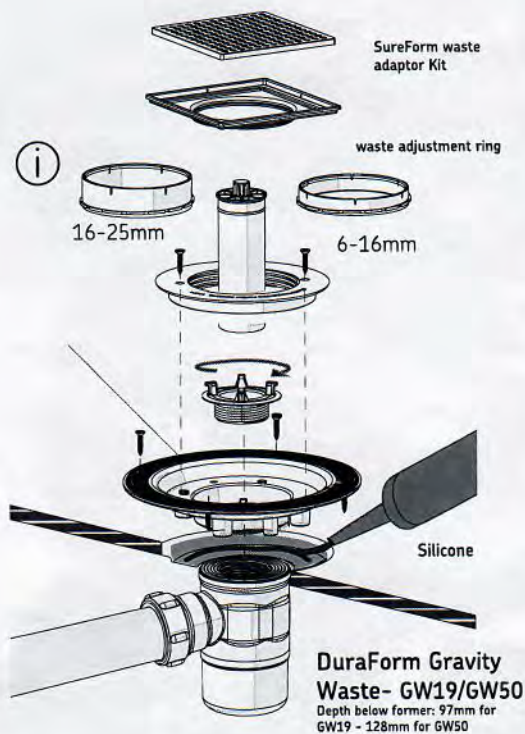


Screeded & Solid Floor Installation Instructions

Step 5. Test fit the DuraForm shower former by lowering the former into position and lay the former over the drain to ensure that they are correctly aligned. Fit the SureForm waste adaptor kit to the Duraform former and ensure that the seal is in place before connecting with the outlet waste drain pipe. Smear a fine bead of silicone around the underside rim of the adaptor before finally securing into place.



Step 6. Apply a suitable bonding adhesive to the entire underside of the shower former and over the screeded floor area using a notched trowel. Carefully lower the shower former into position.



Step 7. Connect the waste adaptor to the waste drain and tightly secure in place. Follow the separate waste drain instructions and clear away all excess adhesive and silicone sealant.

All sizes of tiles can be used if the threaded adjustment ring is adjusted to the desired height.

Depending on the thickness of the floor tiles to be used, change the threaded adjustment ring large or small.

(Large = 16-25mm (5/8"-1in)

(Small = 6-16mm (1/4"-5/8" in).

The adjustment ring is a push fit but may require some leverage to swap. Secure the waste into position. Ensure that the screw heads are flush and do not protrude, or they may cut into drain gasket seal. Use some weighted bags to hold down in position and ensure the screed floor is set hard before installing the tanking kit. The waste hole should be covered to protect it from any dirt or debris.

This former is unsuitable for vinyl or safety flooring.

Install the waterproof floor tanking kit system over the DuraForm, as per manufacturer guidelines.

Allow 24hrs after tiling before showering.

Shower Seats with feet are unsuitable due to point loading and must not be used with this DuraForm former.

PROOFING THE FLOORS & WALLS

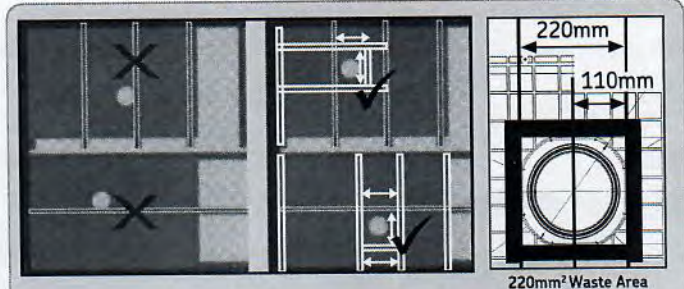
It is essential that all joints and junctions on the floor, wall and the joints between the wall and floor are sealed using a suitable tanking system, AKW® recommend our FormSafe® waterproofing system for this. For best results, seal the floor before the wall and skirting. For details of installing the waterproof barrier and any heating system, please see the instructions supplied with these products.

Wooden Floor Installation Instructions



i For installation into wooden floors, the DuraForm Former must be fully supported on level sub floor and the waste area must be supported by a sub platform.

**DuraForm Gravity Waste-
GW19/GW50/ GW90**



By rotating the rectangular former by 180°, the waste position location can be moved to avoid the joists. The waste area must be fully supported with additional joists within 220x220mm from the centre of the waste outlet area.

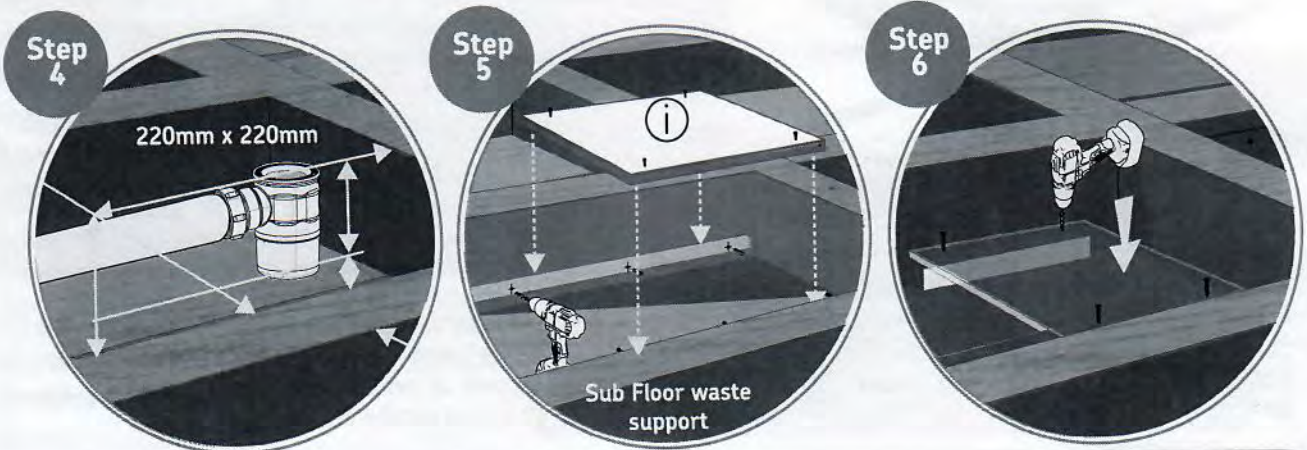
Step 1. Position the DuraForm over the desired location for the shower and mark around the edge of the shower former. **Step 2&3.** Cut out the flooring area within the marked area, taking care not to cut through supporting joists, any electrical wiring, or pipework which may be below. Carefully remove the floor boards.



Step 4. Measure and position the waste drain sub floor platform and outlet position for the shower. The waste drain area must be supported underneath by a plywood sub floor platform.

Step 5. Support the sub platform using noggins attached to either side of the joists.

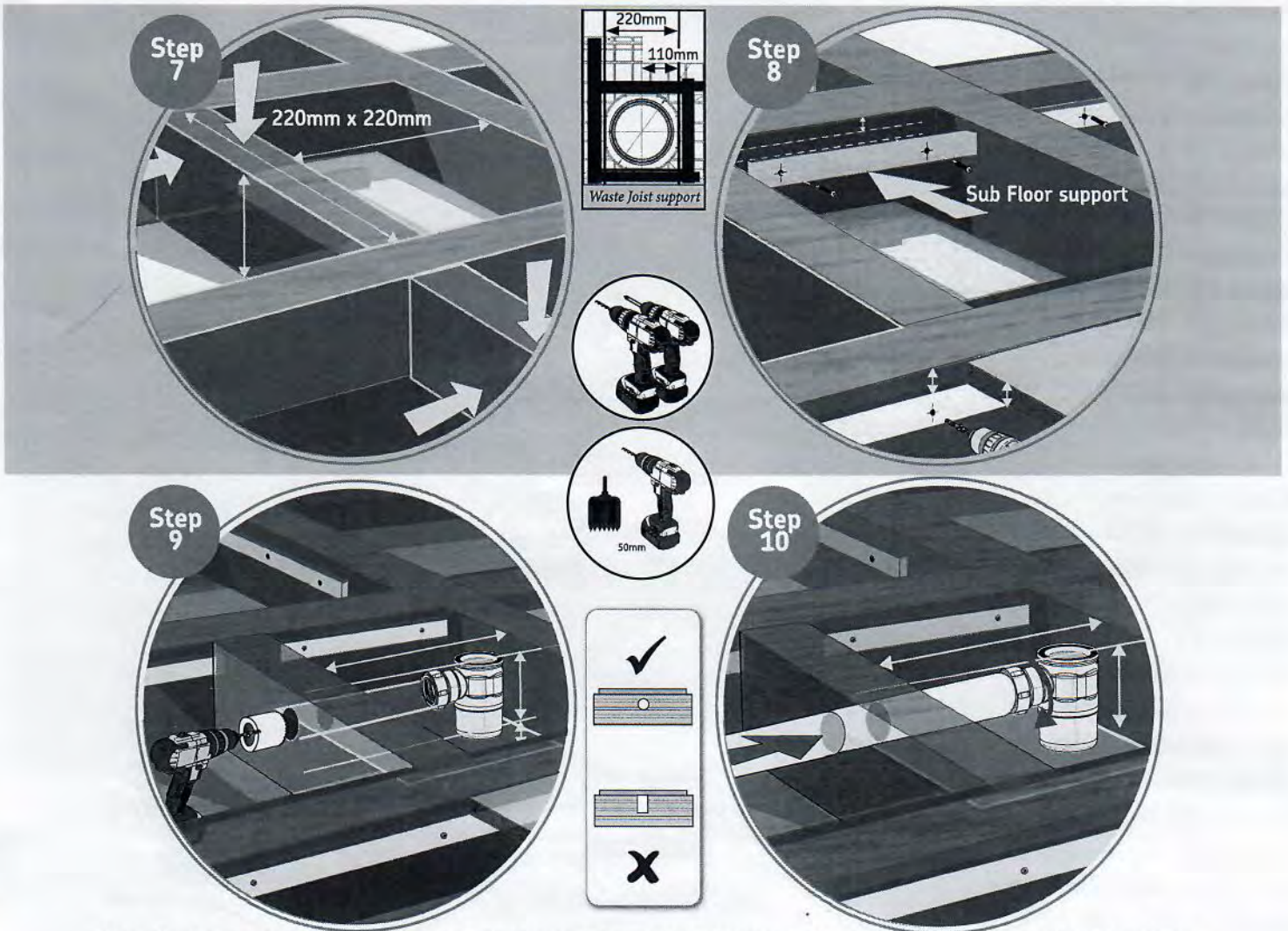
Step 6. Secure the sub platform into place and test that the height of the waste drain outlet is in line with the top of the joists.



Wooden Floor Installation Instructions

Step 7. Support your waste using additional noggins within 220x220mm of the waste centre and support with cement to prevent the drain from dropping after installation. The center of the waste must be at least 80mm away from any of the floor joists and noggins. Align the waste outlet pipework and mark the outlet route. **Place new Joists & Noggins** 75mm x 50mm (3" x 2") between existing joists at 350-400mm (14"-16") centres and to all edges of the cut-out area to provide a level sub floor support for size of the former.

Step 8. Measure and mark the height of the sub floor by using additional runners approx 50mm x 25 mm 18mm down from the top of each side of each joist. Please note that the top surfaces of the Joists/noggins must be level. Align the DuraForm into position again and check that the waste outlet entry is in line - to avoid or minimise joist overlap, the DuraForm waste location is offset. Rotate the DuraForm by 180° to allow the waste location to fit within the joists.



Step 9. Use a rotary hole cutter to drill through the joist or noggins. Do not cut or saw into the joists from above. Insert the pipework through the joists or noggins and align to the waste drain outlet pipe.

Step 10. Connect the waste drain to 1½" waste outlet pipe and test for leaks by pouring water into drain to ensure that it is water tight as it will not be possible to return to it once the former has been installed. Ensure that the rubber seal is fitted to the top of the waste. Ensure that the base of the waste is fully supported. Check that the top of the waste is in line with the top of the joists. See separate waste instructions.

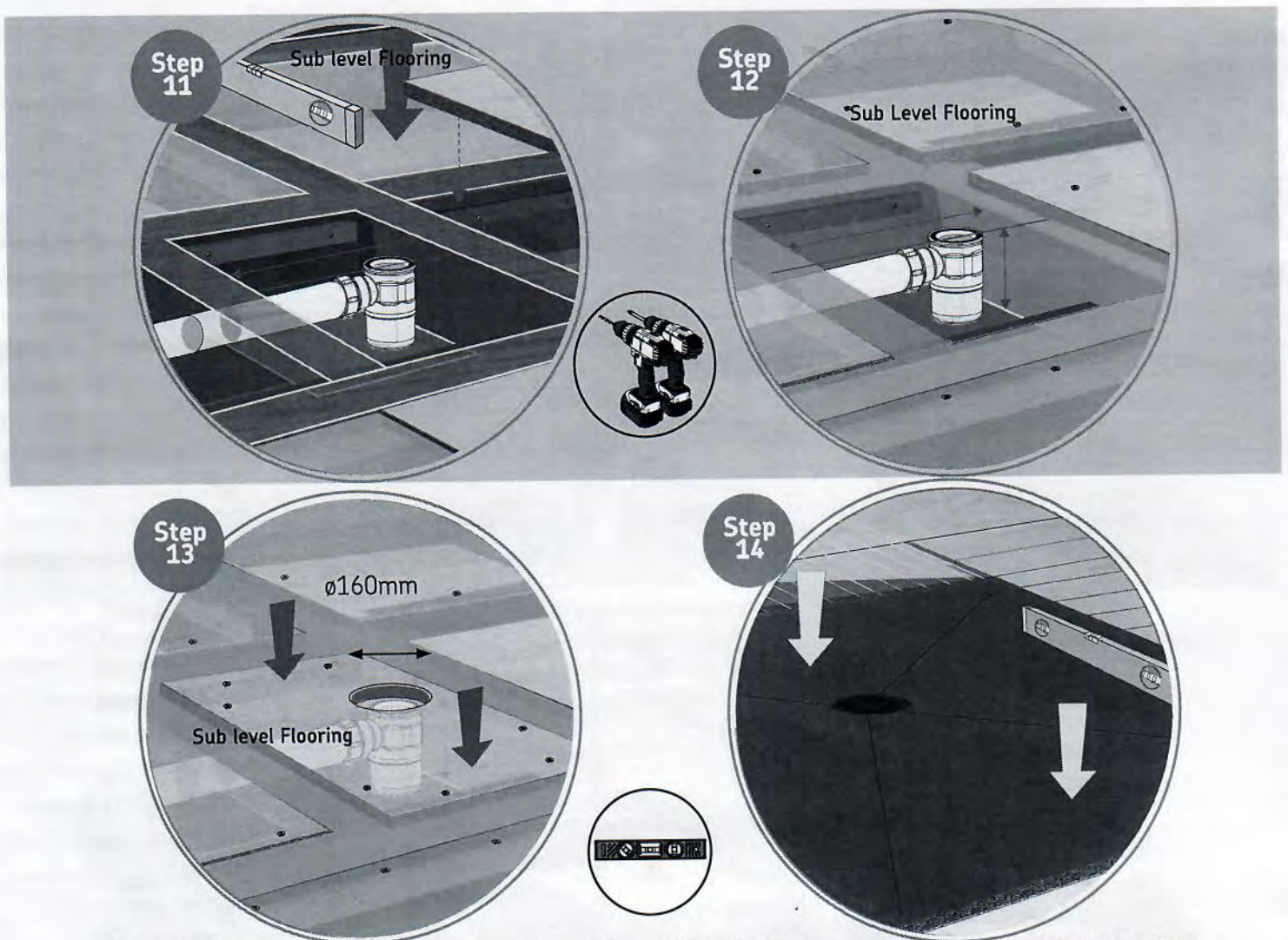
Wooden Floor Installation Instructions

Step 11. The former now must be supported by a plywood sub floor which must be level, clean and load bearing. Cut 18mm marine ply panels to fill the areas between the joists and fasten down to the runners using wood screws. Use the plywood sub flooring to bring the floor height to the same height as the top of the joists.

Step 12. Secure and fasten the plywood sub floor into position.

Step 13. Cut out the waste hole $\phi 160$ area in plywood sub flooring and fasten into position.

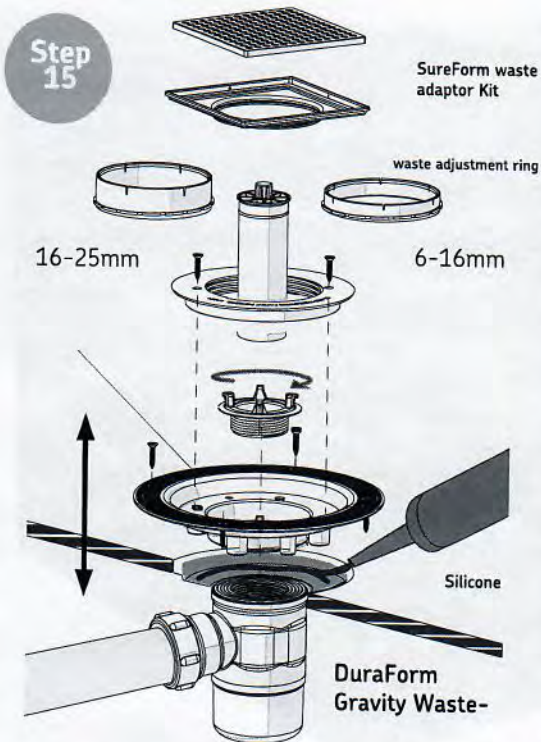
Check the floor height levels before applying any bonding adhesive.



Step 14. Set levels - Lower the former into position and lay the former over the drain to ensure that they are correctly aligned. All the edges of the former should be checked with a spirit level. Floor surface to DuraForm mounting surface is 22mm.

If the surrounding floor is lower than the DuraForm, raise the surrounding floor area level to the Former. If the surrounding floor is higher than the DuraForm, raise the supporting plywood sub level floor under the DuraForm to bring the former level to the surrounding floor levels. DuraBoard can also be used to level the surrounding areas. It can be used to seal the walls and floors with FormSafe® waterproofing system. See separate DuraBoard Instructions.

Wooden Floor Installation Instructions



Step 15. Fit the waste adaptor to the shower former.

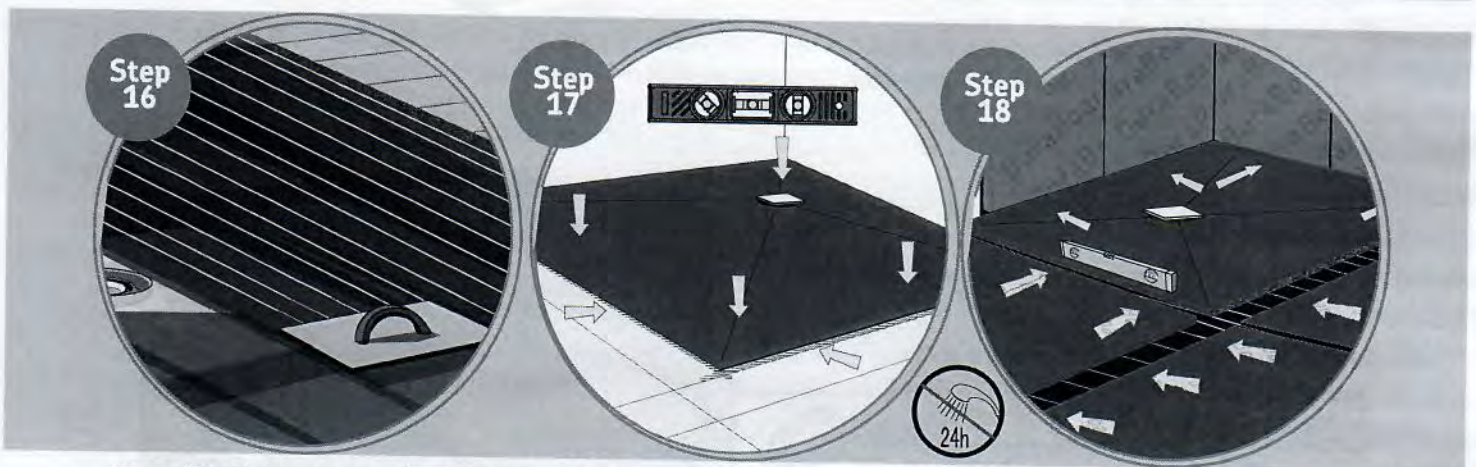
Test fit the shower former to ensure a tight fit, and the alignment of the waste and the drain. Smear a fine bead of silicone around the underside rim of the trap before securing into place. Connect the waste by following the separate waste instructions and clear away all excess adhesive and silicone sealant.

All types and sizes of tiles can be used if the threaded adjustment ring is adjusted to the desired height.

Depending upon the thickness of the floor tiles to be used, change the threaded adjustment ring, large or small. (Large = 16-25mm (5/8"-1in) (Small = 6-16mm (1/4"-5/8" in) This part is a push fit but may require some leverage to remove.

Ensure that the screw heads are flush and do not protrude or they may cut into the wet floor drain gasket seal.

Step 16. Apply a suitable bonding adhesive to the entire underside of the shower former and to all supporting floor surfaces. Only when the former is fully supported and level with the surrounding floor, lower into position.



Step 17. Fixing down. Fit the shower former over the bed of adhesive and firm down ensuring that the former is level in all planes. Use some weighted bags to hold down the former in position. Allow for the curing time and ensure the adhesive is set hard before installing the waterproofing tanking kit.

Do not use vinyl flooring. DuraForm is suitable only with tiles.

Step 18. Secure waste adaptor and waste together. Install a waterproof tanking system before adding tiles. Continue to cover in a waterproof and thermally insulated barrier tanking system such as AKW® FormSafe® and follow the separate instructions, ensuring that each process is carried out according to the manufacturer's guidelines. The waste hole should be covered to protect it from any dirt or debris.

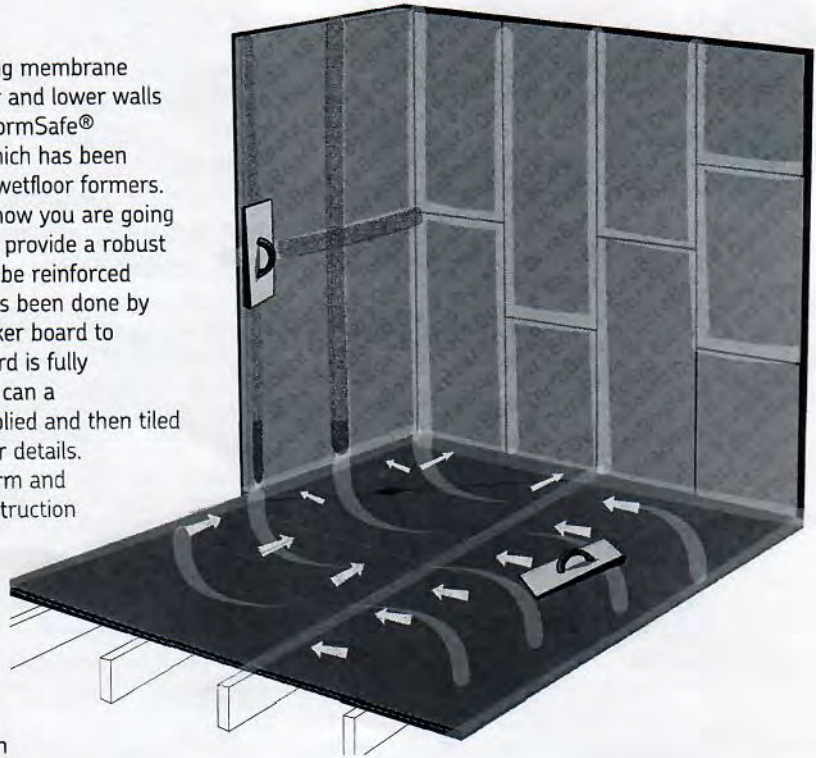
Allow 24hrs after tiling before showering.

Shower Seats with feet are not suitable due to point loading and must not be used with this DuraForm former.

DuraForm Waterproofing

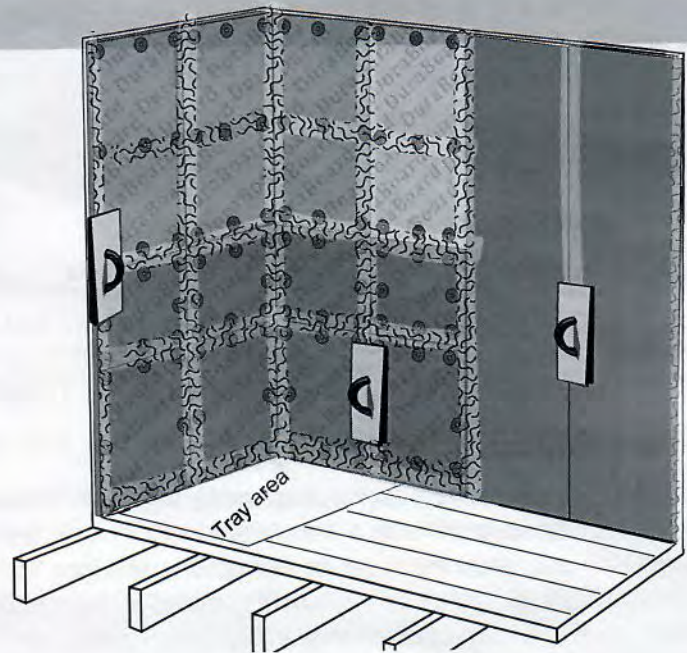
PROOFING THE FLOOR

You will need to consider which waterproofing membrane treatment you are going to apply to the floor and lower walls in your wet area. AKW® recommends our FormSafe® waterproofing membrane tanking system which has been designed specifically to work with all AKW® wetfloor formers. Before tiling, you will also need to consider how you are going to reinforce the rest of the wetfloor area. To provide a robust sealed floor surface for tiling, the floor must be reinforced beneath the Duraboard. Traditionally this has been done by adding a plywood sub-floor underlay or backer board to support the Duraboard. Only when Duraboard is fully supported and the surrounding floor is level can a waterproof barrier such as FormSafe be applied and then tiled over. Follow separate instructions for further details. The thermal insulating properties of Duraform and DuraBoard make a wetroom using this construction ideal for the addition of electric underfloor heating. The insulating properties will optimise the performance of the underfloor heating which can also be installed over the shower former to further enhance the wetroom showering experience. It is essential that all joints and junctions on the floor and the joints between the floor and the wall are sealed using a suitable tanking kit such as FormSafe®.



PROOFING THE WALLS

It is essential that all joints and junctions on the wall and the joins between the wall and floor are sealed using a suitable taping system, AKW® recommend our Formsafe® waterproofing system for this. For best results seal the floor before the floor and skirting. For details of installing the waterproof barrier and any heating system please see the instructions supplied with these products.



DuraForm ***Wet Floor Former***

AKW[®]
Life Made Better

Failure to install this AKW[®] product in accordance with supplied instructions or the making of unauthorised modifications will invalidate any warranty and will affect product safety.

AKW guarantees your WetFloor Former for 10 years from the date of purchase.

When correctly installed in accordance with these instructions and finished with a tiled floor, your DuraForm Wetroom Former will be suitable for 25stone / 158KG user.

Note: Shower Seats with legs are unsuitable and must not be used with this DuraForm Former.

CE

AKW Limited
Pointon Way, Hampton Lovett
Droitwich Spa, WR9 0LR

15

DoP 14-011-023

PH

EN 14527: 2006+A1: 2010
CL1+CL2

Important Safety Information

ALWAYS



Read these installation instructions carefully before installing this product and leave with the end user for future reference.

ALWAYS



Have the former installed by a trained and experienced installer.

ALWAYS



Support the waste with additional joists. Evenly support the edges of the former when installing into the floor. Weight must be evenly spread across the former.

NEVER



Exceed the spreadable weight capacity of 25 stone (158Kg) on a finished tiled floor.

NEVER



Use shower seats with feet with this former. Do not stand on the shower former before the former has finally set/cured and finished with tiles. This will effect the fall of the water drainage to the shower waste.



Caution



Check for electric cables and water pipework before cutting into floor boards or drilling into surfaces.

Beware

A pinch hazard may be present around the edges during installation.

Orderline

01905 823299

General Enquiries

01905 823298

Technical Help line

01905 560219

Fax

01905 823297

Website

www.akw-ltd.co.uk

Quotes & orders email

orders@akw-ltd.co.uk

Enquiries email

sales@akw-ltd.co.uk

technicalenquiries@akw-ltd.co.uk

Post

AKW, Pointon Way,
Hampton Lovett,
Droitwich Spa,
WR9 0LR



For the latest AKW product news scan this QR code with your device.

Guarantee

The guarantee applies only to manufacturing or material defects and does not apply to normal wear and tear, inappropriate use or accidental damage. This does not cover damage or defects that result from incorrect installation, improper use, accidental damage or lack of maintenance including the build up of grime, dirt or lime-scale and water-borne debris or damage from point weight loading such as shower seat feet. Damage resulting from inappropriate cleaning or water ingress. Damage or defects that result from repairs, modifications undertaken by unauthorised persons who are not maintenance engineers.

Guaranteed
for
10 yrs

What to do if something goes wrong?

In the unlikely event that you should encounter a problem with this product, please contact your local installer and if this does not resolve the issue then contact AKW technical team who will provide further advice and if necessary arrange for a maintenance engineer to visit and report any issues. As part of our quality and training program, calls may be monitored or recorded. None of the foregoing affects your statutory rights.

These instructions are provided to advise the minimum standards of installation and recommend what the best practice for the installation is. Due to the very wide variability of possible installation conditions AKW cannot provide all circumstances for the installation. AKW® cannot accept any liability in connection with this information or its use. This information is provided on the condition, that the person receiving it shall make their own tests to determine the suitability for their particular purpose. Failure to install this AKW product in accordance with supplied instructions or the making of unauthorised modifications will invalidate any warranty and may affect product safety. None of the foregoing affects your statutory rights.