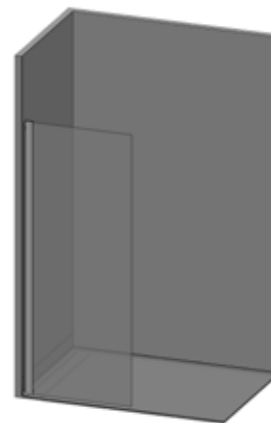
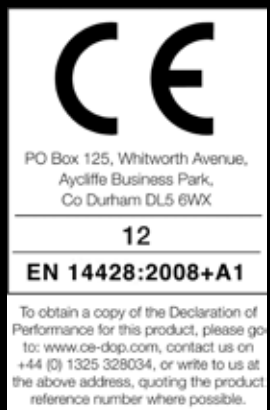


Bolster Profile

Instruction Manual

BP001S



IMPORTANT INFORMATION

- Toughened glass is completely safe for use in our shower enclosures and bath screens; providing our products are installed according to our guidelines.
- It is important to note that the glass must not be mounted or 'pinched' in such a way that would cause a stress point to develop in the glass. In addition, it must not be subject to any sharp impact or severe temperature fluctuation which may also cause a stress point to develop in the glass.
- Toughened glass is physically and thermally significantly stronger than standard glass. During the toughening process the stresses contained within any glass are balanced so if in the unlikely event situation any of the above occurs and the glass breaks, the glass will shatter safely into small thumbnail sized blunt fragments.

PRE-INSTALLATION CHECKS

1. Check you have the correct product. Please look at the labels on the side of the product packaging.
2. Check all the product components are in the box and the fixing kits.
3. Unpack your product and handle it with care.
4. Please check the product for defects or damage, once the installation has commenced we cannot accept responsibility for any defects or damage.
5. Please take time to read these instructions prior to installing your product.
6. Before you commence any drilling check there are no hidden electrical cables and/or water pipes.
7. No attempt should be made to re-work the toughened safety glass.
8. The installation of the product should be performed by two persons.
9. It is strongly recommended that the walls the product is going to be installed on are vertical.
10. It is strongly recommended the product is fitted on a tiled surface or similar waterproof surface.
11. It is strongly recommended the walls are tiled and grouted before the product is installed.
12. If the walls and/or the tray are not level you will not achieve maximum adjustment of the product.
13. Pictures used are for illustration purposes only, product designs may alter slightly as a result of continuing product development.
14. We do not stipulate where the European Standard Kite Mark should be positioned on the glass when being factory assembled.
15. Please note that some natural misting may occur when you remove this product from its packaging, due to the addition of the glass protection pre-coating. If this does occur this can easily be removed with a soft, dry cloth.

Component Check List: Supplied

Description	Quantity
Bolster Wall Profile	1
Panel Glass	1

Equipment Check List: Not Supplied

Description
Battery / Electric Drill
6mm Masonry Drill Bit
Bathroom Sealant Gun
Bathroom Sealant Tube
Screwdriver
Spirit Level
Tape Measure
Pencil
Wall Plugs (Plasterboard)
4.5mm Drill Bit

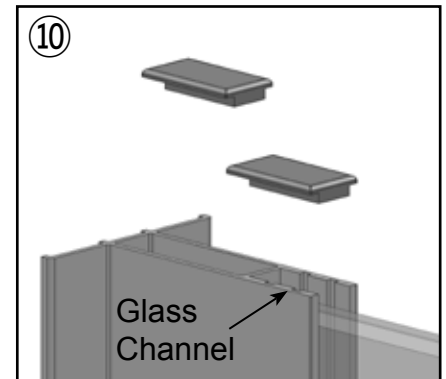
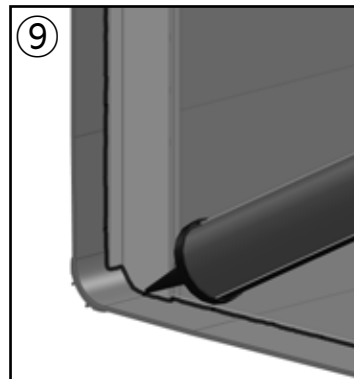
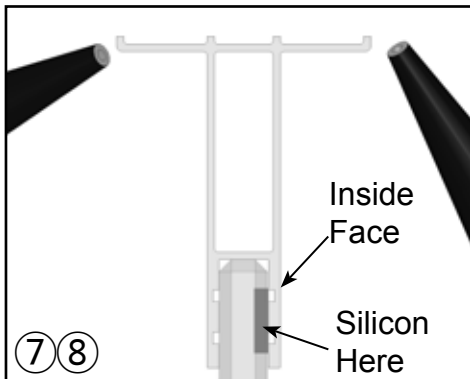
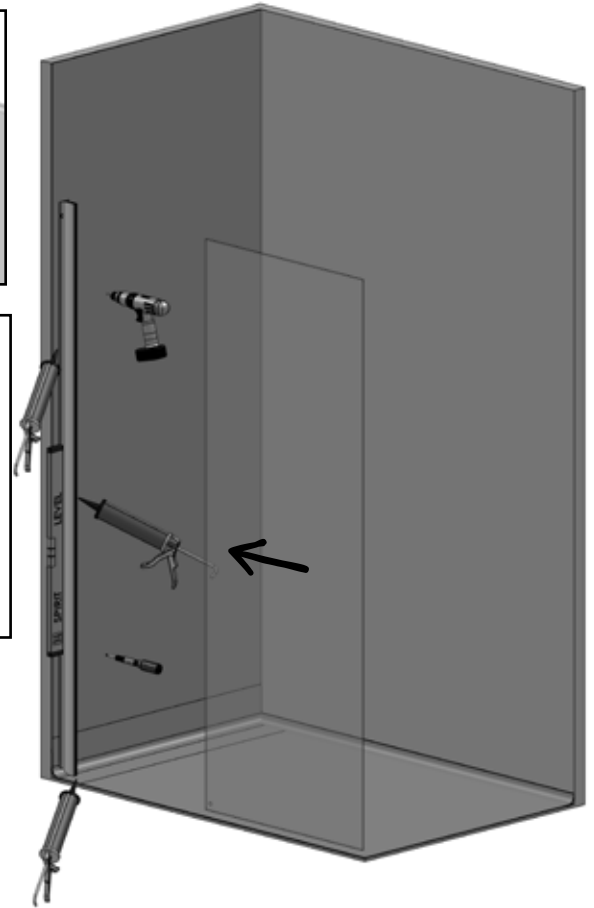
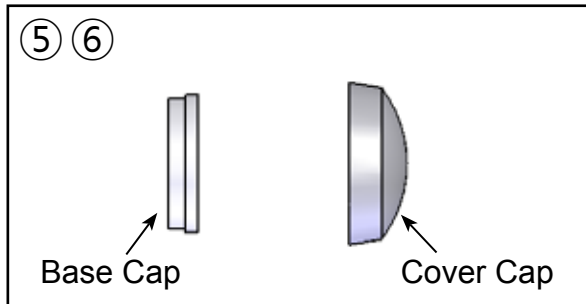
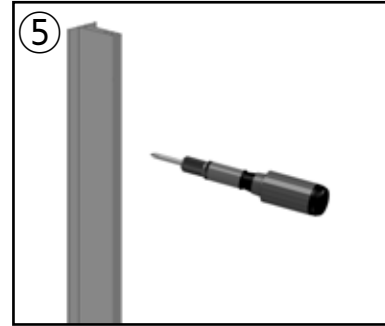
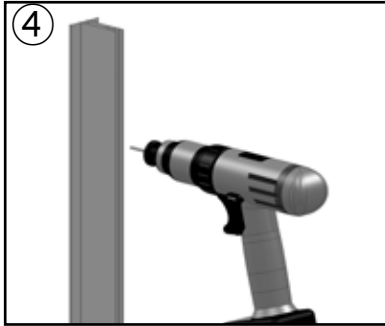
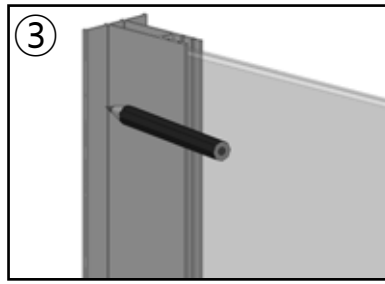
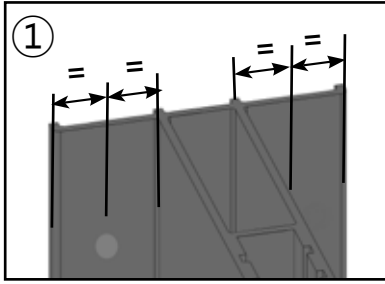
Fixing Kit Components

Description	Quantity
Top Caps	2
40mm Cap Head Screws	6
Wall Plugs (for brick or block walls)	6
Coloured Caps and Bases	6
Branding Badge (where applicable)	1

CONSUMER GUARANTEE

Please make sure the purchaser/end user completes and returns the guarantee card which is enclosed with this product. Failure to validate the Guarantee will mean only the 1 Year Statutory Guarantee will apply.

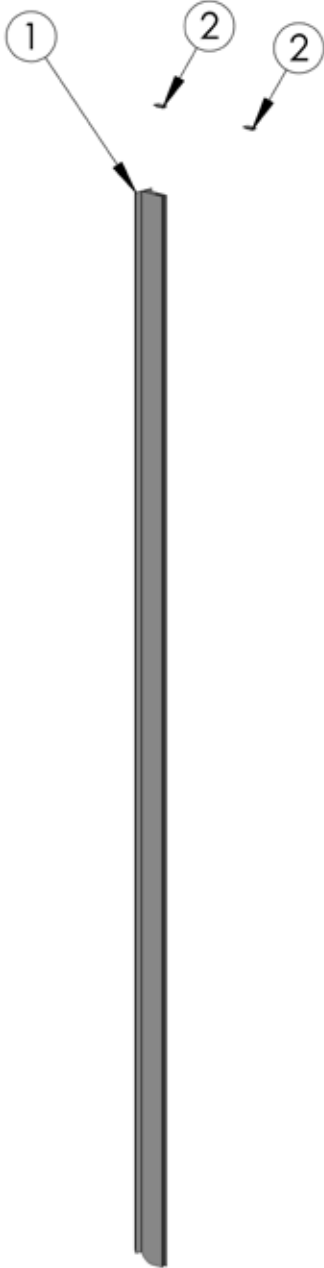
Bolster Profile and Glass Assembly



1. On each side of the Bolster Wall Profile drill 3 x 4.5mm holes keeping them central on the lip.
 - **Note: Position the holes one at each end and one in the centre (both sides).**
2. Place the Bolster Wall Profile in the desired position. Using a Spirit Level ensure that it is completely vertical.
3. Using a pencil mark the locations for the drill holes through the holes of the Bolster Wall Profile.
4. Drill the holes using a 6mm masonry drill (not supplied); push the wall plugs (supplied) into the drilled holes.
 - **Remove any debris.**
5. Fit the Base Caps onto the 40mm Cap head screws. Position the Bolster Wall Profile over the drilled holes in the wall and fully secure ensuring the profile remains completely vertical.
6. Fit the Screw Cover Caps over the screws.
7. Place a continuous bead of silicon vertically on the inside of the Bolster Wall Profile then carefully lift the Panel Glass and insert it fully into the glass channel.
8. Seal both sides of the Bolster Wall Profile inside and outside only where it meets the wall.
9. Seal the base from the end of the Panel Glass and up to the Bolster Wall Profile on the outside only.
 - **IMPORTANT: Ensure that the Vertical Sealing and the Base Sealing is continuous.**
10. Fit one of the Top Caps at the top of the Glass Channel then fit the other directly behind it.
 - **IMPORTANT: Failure to follow procedures 6,7 and 8 may cause serious water damage and is not covered under the terms of the guarantee.**

Spare Parts

If you need to replace any damaged parts please see illustration below for parts list then call Customer Relations on 01325 328033



Part No.	Description	Qty	Part No.	Description	Qty	Part No.	Description	Qty
1	Bolster Wall Profile	1	11			21		
2	Top Caps	2	12			22		
3			13			23		
4			14			24		
5			15			25		
6			16					
7			17					
8			18					
9			19					
10			20					

TROUBLE SHOOTING GUIDE

Problem	Solution
Leaking	<ol style="list-style-type: none">1. Ensure the Bolster Wall Profile has been sealed both vertically inside and outside.2. Ensure the Panel has been fully sealed (Outside only).3. Ensure the Bolster Wall Profile was seal vertically on the inside face.4. Ensure there are no gaps in the sealing on the outside. <p>Important: This enclosure should be water tested conforming to BS EN 14428</p>

Some important information to help you Maintain your product.

The following information is all you need to keep your product looking new.

Clean your product using a mild detergent diluted in water and then polished off using a soft cloth.

If you live in a hard water area, periodically clean your product using a 50/50 solution of white vinegar and water. The solution should be left on the enclosure for approximately 5 minutes then rinsed off using warm water. This method of cleaning should remove lime scale residue.

Simple Maintenance

Our products are generally maintenance free, however it may be necessary to lubricate wheel assemblies and other moving parts from time to time.

It is strongly recommended that a quality silicone spray is used.

A list of Don't's:

1. Don't use acidic based products which are unsuitable for cleaning enamel surfaces.
2. Don't use abrasive cleaners or cleaners using bleach or solvents, these products will adversely affect the finish of the aluminium profiles.
3. Don't use scouring pads, powder or any sharp instruments when cleaning the enclosure.

Should you experience any problems during installation please refer to the Trouble Shooting Guide or contact Customer Relations on:

+44 (0) 1325 328033

To enable customer relations to provide you with an excellent level of service it is important that you quote your product Code and Reference Number - these can be found on the Guarantee card.