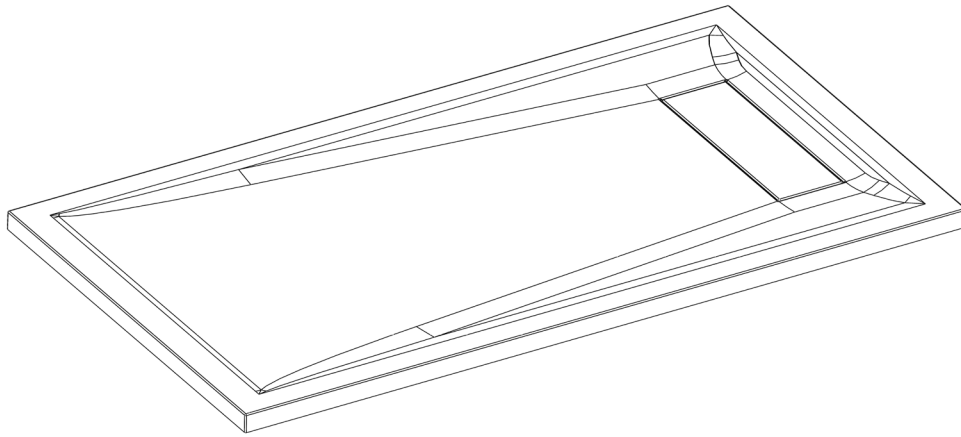


Infinity Slate Tray Square & Rectangular



BEFORE STARTING (IMPORTANT)

- Please read these instructions carefully prior to attempting the installation. The low level tray will provide many years of trouble-free service if installed correctly. Important – some of the installation points are different to that associated with a conventional cast tray.
- Unpack and handle the product with care to avoid damage to the product finish.
- Ensure the walls to which the enclosure is to be fitted are vertical.
 - NOTE: THE WALLS SHOULD BE TILED AND GROUTED AFTER THE TRAY IS FITTED.
- Ensure tiling thickness onto tray apron is adequate for shower enclosure being fitted, please refer to shower enclosure literature.
- Pictures are used for illustration purposes only; product designs may alter slightly as a result of continuing product development.
- Follow the shower waste assembly process as included with the shower waste packaging, inadequate gradients on waste pipe work may lead to water damage which is not covered under the terms of the guarantee.
- This product must be bedded down on a bed of mortar of a weak 5:1 sand & cement mix (wet mix) on a solid base of either plywood or concrete in installations A and B. This flattens out any undulations between the floor and the tray base.
- Excessive loading on a poorly supported tray may lead to damage of the tray.
- Allow 24 hours for 5:1 mortar mix and sealant to cure before progressing with remaining installation procedure.
- In case of a frameless or walk-in shower type of shower enclosure it is normal to see water escaping the tray or splashing outside of the enclosure. You may consider using a fully framed enclosure or a threshold seal on the edge of the shower tray.

PRE-INSTALLATION CHECKS:

- Check to see that you have the correct tray for your enclosure. This can be done by referring to the label on the side of the product packaging.
- Ensure all parts are in the packaging by checking them against the parts and quantities shown on the component checklist above.
- Check the product for defects or damage. Fitting the product is acceptance of quality and once the installation has been completed we cannot accept responsibility for any defects or damage to the product.
- The tray must be completely sealed along the tiled walls, fitted level (check with a spirit level) and should have no leaks.
- The infinity slate tray is a floor to tray installation ONLY.

SAFETY:

- These low level trays are heavy. It is recommended that at least two people carry out the installation of the tray to help prevent personal injury and damage to the product.
- Check for any hidden electrical cables and water pipes prior to commencing any drilling work.
- Wear the appropriate PPE when carrying out the installation process, such as safety eye wear and gloves.



Consumer Guarantee

Please make sure the purchaser/end user completes and returns the guarantee card which is enclosed with this product. Failure to validate the Guarantee will mean only the 1 Year Statutory Guarantee will apply.



To obtain a copy of the Declaration of Performance for this product, please go to: www.cer-shop.com, contact us on +44 (0) 1325 308604, or write to us at the above address, quoting the product reference number where possible.



Maintaining Your Shower Tray

Any residue remaining from the shower on the shower tray after use should be cleaned with a soft cloth or sponge saturated with liquid cleaning detergent.

do not use substances containing abrasive components, as they may damage the surface area of the shower tray. the surfaces of the tray should be protected against organic solvents, acetone, fire or sources of high temperature as well as being hit with sharp objects.

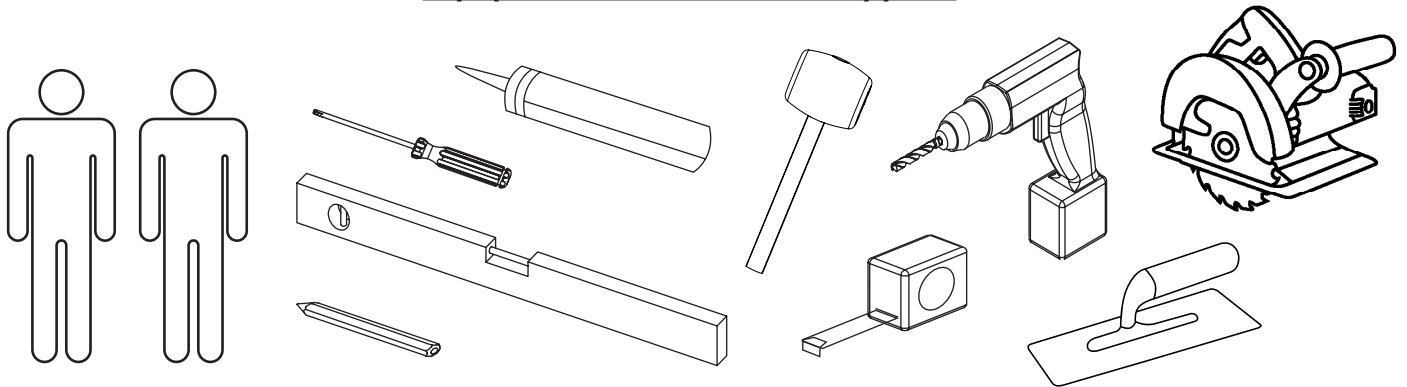
Filling the products starts with cold water and temperature of hot water should not exceed 55 degrees celsius.

Tray Installation Procedures

The Low-Level Tray is intended to give a distinctive and minimalist appearance when installed with its corresponding enclosure. Additional benefits arise from the low level tray in the form of easy access for the user and the ability to create a nearly flush fitting using the following tips. The range offers an opportunity to own a fashionable enclosure that will add to the visual appeal of any bathroom while providing easy access for all the family.

- A. Install the tray conventionally as per Installation Procedure A prior to fitting the floor tiles. Floor tiling up to the tray will reduce the installed height by the amount equal to the thickness of the tile plus the adhesive (typically 10-15mm). A similar visual effect may be achieved with a piled carpet.
- B. Remove the floor boards and sink the tray below the floor boards as in Installation Procedure B. Typical floor boards in modern houses are approx. 15 - 20mm thick, so sinking the tray below the floor boards can reduce the height to around 25 - 40mm. Laying floor tiles up to the tray can provide a more flush fit.

Equipment Checklist: Not Supplied

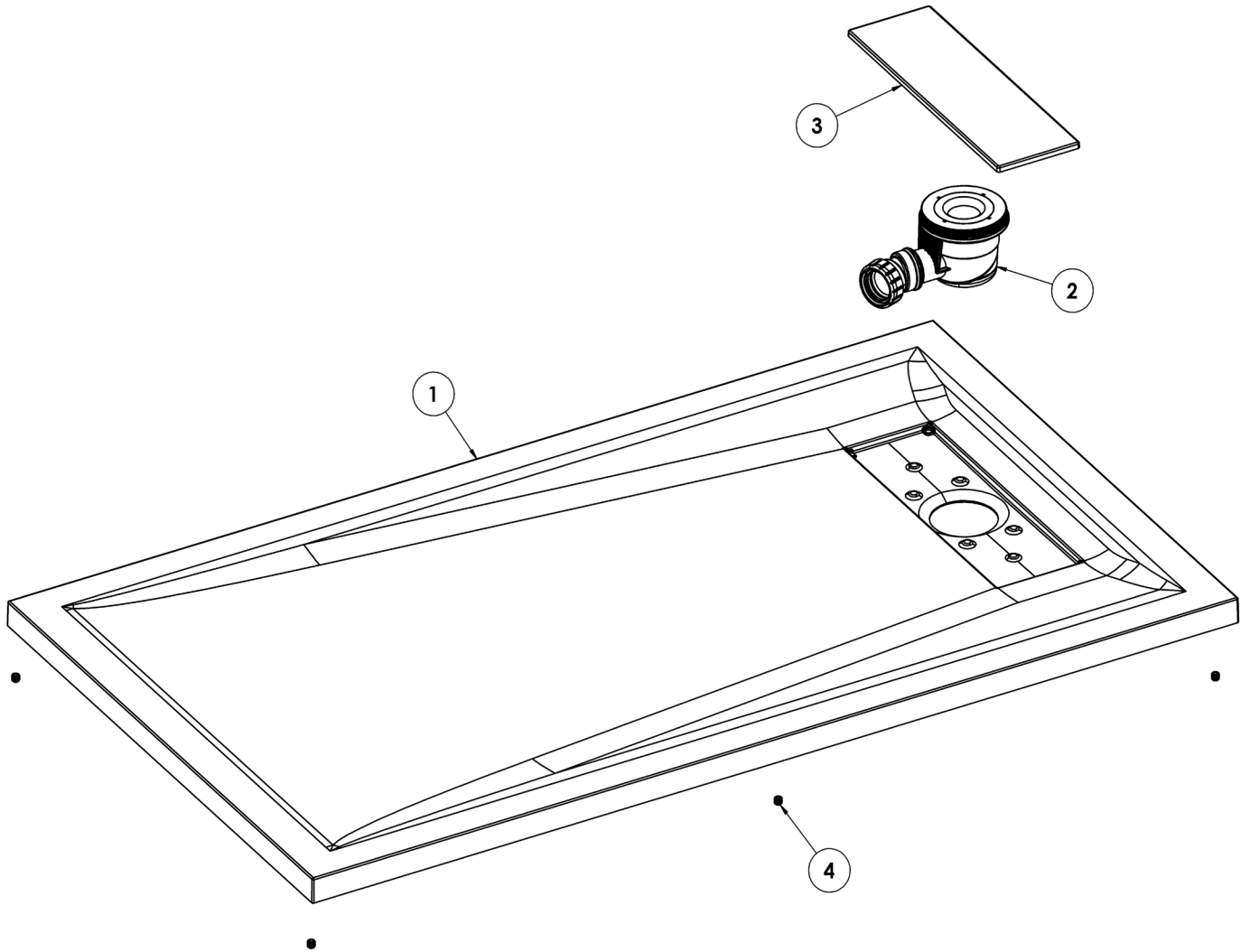


Should you experience any problems during installation please contact customer relations on:

+44 (0) 1325 328033

To enable customer relations to provide you with an excellent level of service it is important that you quote your product code and reference number - these can be found on the Guarantee card.

Spare Parts Guide



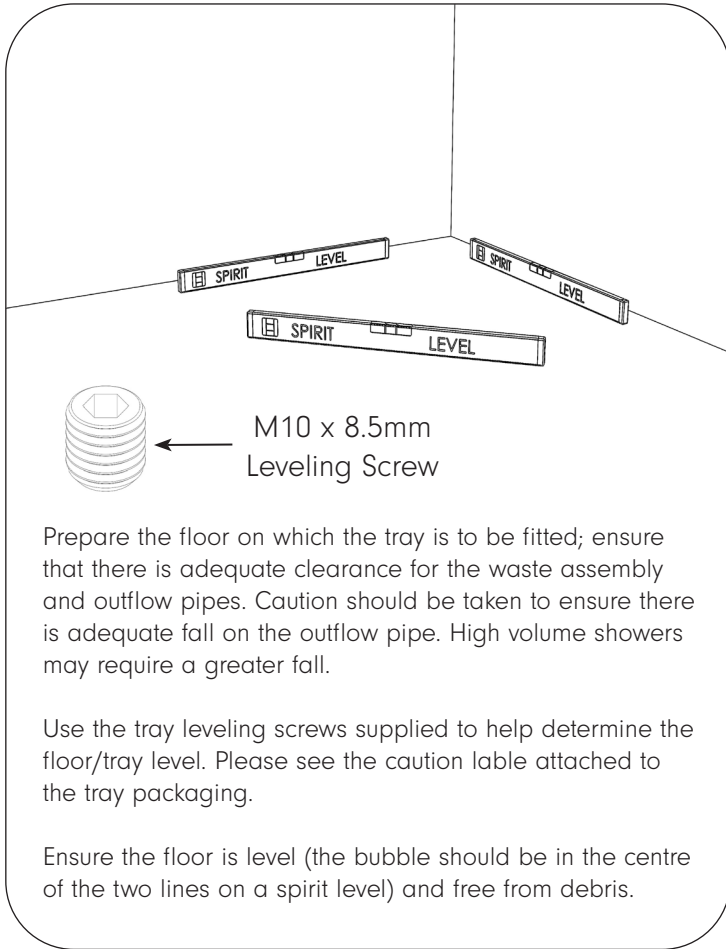
Infinity Slate Tray Parts

Part No.	Description	Qty					
1	Tray	1					
2	Waste Assembly	1					
3	Waste Cover	1					
4	Leveling Screw	5/8					

Spare Parts: If you need to replace any damaged parts please call Customer Relations on 01325 328033.

Installation Procedure A - Direct to Floor

Step 1 - Pre-Installation Checks



The diagram shows three spirit levels being used to check the floor's level. One level is placed horizontally across the room, while two others are placed vertically against the walls. An arrow points from the text 'M10 x 8.5mm Leveling Screw' to a stack of five screws.

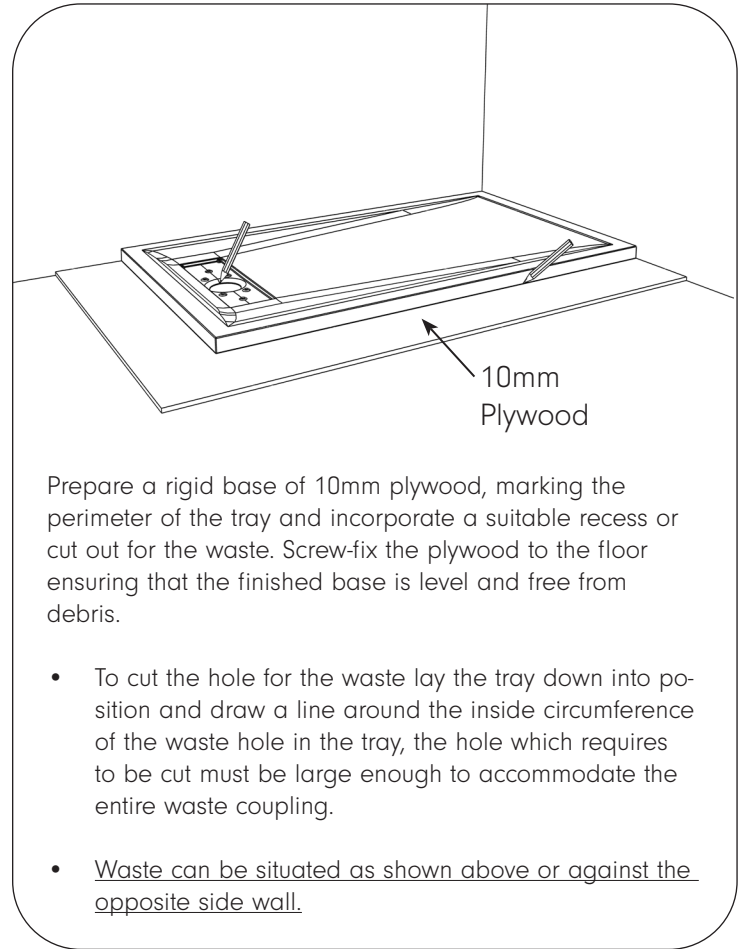
M10 x 8.5mm Leveling Screw

Prepare the floor on which the tray is to be fitted; ensure that there is adequate clearance for the waste assembly and outflow pipes. Caution should be taken to ensure there is adequate fall on the outflow pipe. High volume showers may require a greater fall.

Use the tray leveling screws supplied to help determine the floor/tray level. Please see the caution label attached to the tray packaging.

Ensure the floor is level (the bubble should be in the centre of the two lines on a spirit level) and free from debris.

Step 2 - Marking Out Tray



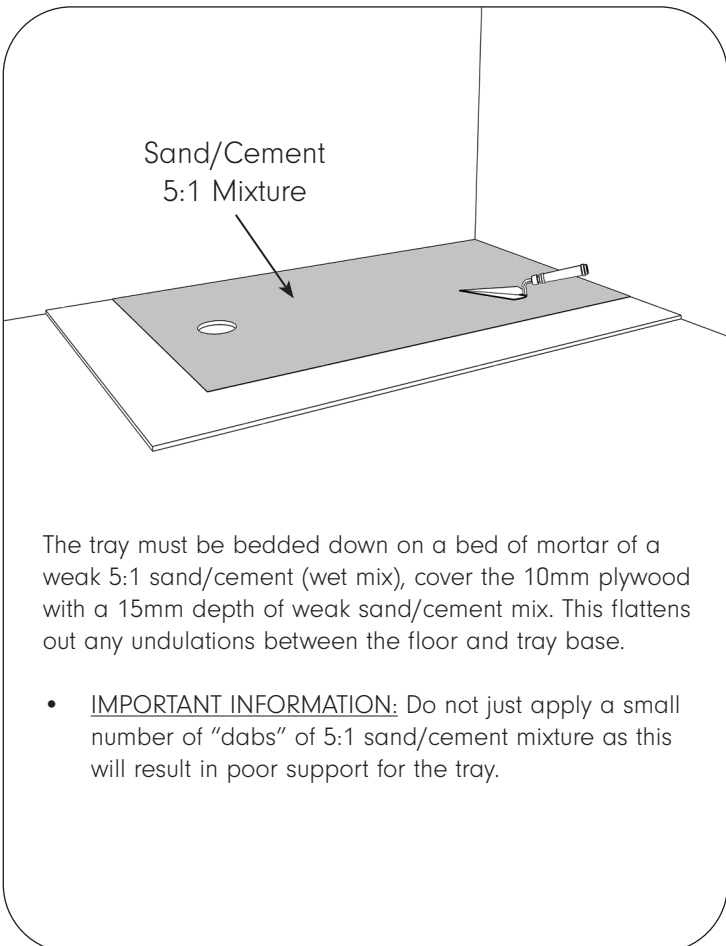
The diagram shows a rectangular tray being marked onto a 10mm plywood base. A hole is cut out for the waste pipe. An arrow points to the plywood with the label '10mm Plywood'.

10mm Plywood

Prepare a rigid base of 10mm plywood, marking the perimeter of the tray and incorporate a suitable recess or cut out for the waste. Screw-fix the plywood to the floor ensuring that the finished base is level and free from debris.

- To cut the hole for the waste lay the tray down into position and draw a line around the inside circumference of the waste hole in the tray, the hole which requires to be cut must be large enough to accommodate the entire waste coupling.
- Waste can be situated as shown above or against the opposite side wall.

Step 3 - Bedding Tray



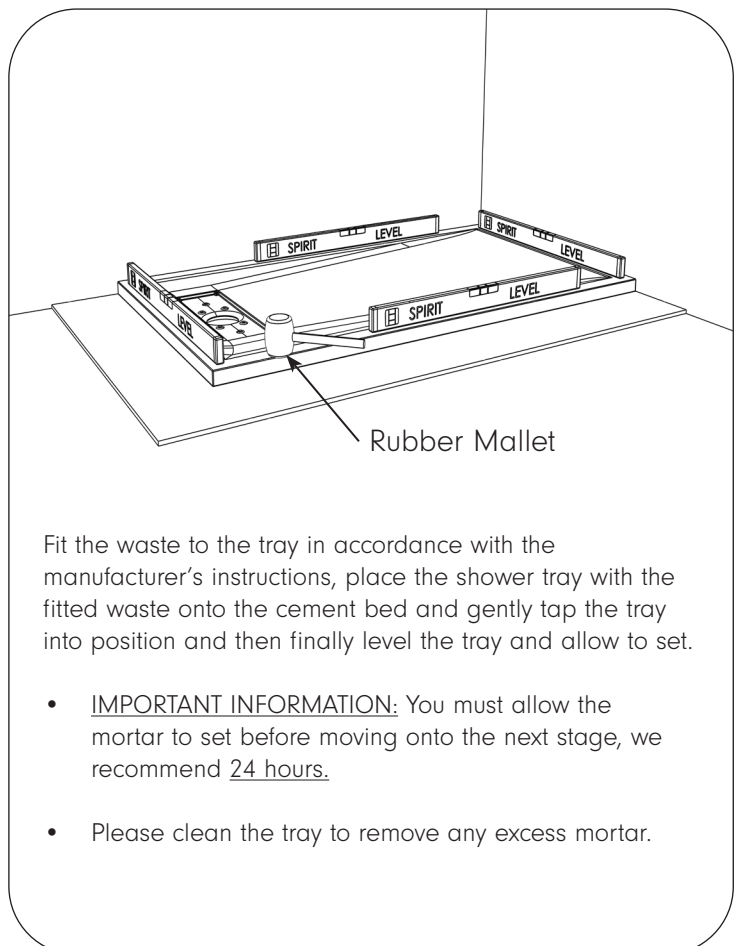
The diagram shows a tray being placed on a bed of sand/cement mixture. An arrow points to the mixture with the label 'Sand/Cement 5:1 Mixture'.

Sand/Cement 5:1 Mixture

The tray must be bedded down on a bed of mortar of a weak 5:1 sand/cement (wet mix), cover the 10mm plywood with a 15mm depth of weak sand/cement mix. This flattens out any undulations between the floor and tray base.

- IMPORTANT INFORMATION:** Do not just apply a small number of "dabs" of 5:1 sand/cement mixture as this will result in poor support for the tray.

Step 4 - Laying & Levelling Tray



The diagram shows the tray being leveled with a rubber mallet. An arrow points to the mallet with the label 'Rubber Mallet'.

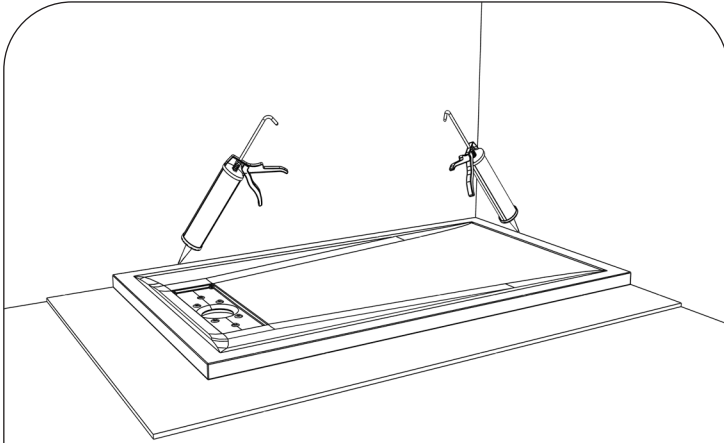
Rubber Mallet

Fit the waste to the tray in accordance with the manufacturer's instructions, place the shower tray with the fitted waste onto the cement bed and gently tap the tray into position and then finally level the tray and allow to set.

- IMPORTANT INFORMATION:** You must allow the mortar to set before moving onto the next stage, we recommend 24 hours.
- Please clean the tray to remove any excess mortar.

Installation Procedure A - Direct to Floor

Step 5 - Sealing Tray

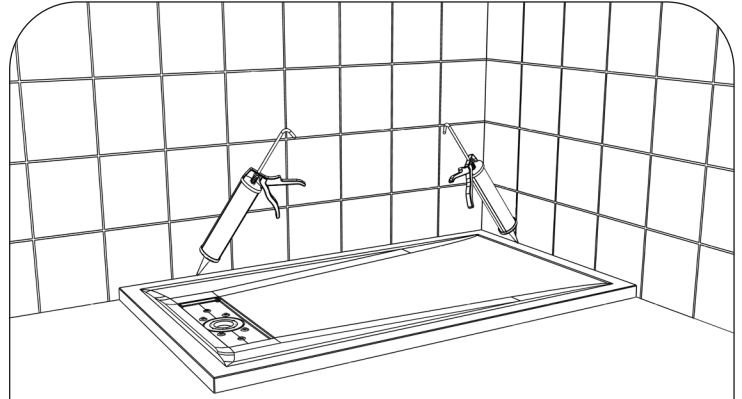


When the shower tray is set, connect the waste pipe and check all plumbing for leaks, flow and adequate drainage over the entire tray area.

- **DO NOT PROCEED UNTIL ALL PLUMBING IS WORKING CORRECTLY.**

Once you are completely satisfied with the plumbing, seal the joints between the tray and wall with a good quality bath room sealant and allow to set.

Step 6 - Tiling & Grouting

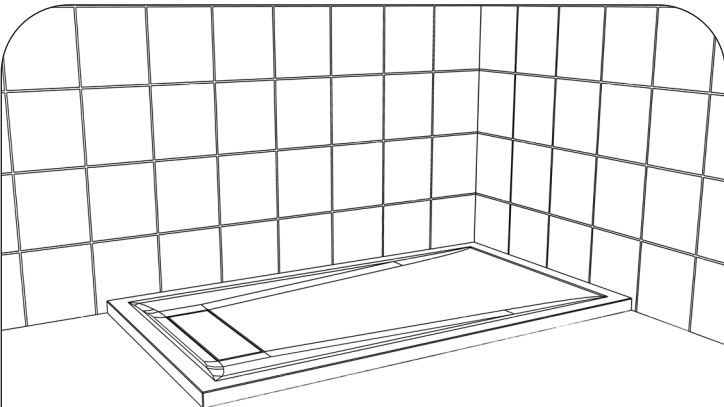


The tray should be tiled and grouted at this stage, seal the joints with a good quality bathroom sealant and allow to set.

- **IMPORTANT:** Ensure tiling thickness onto tray apron is adequate for shower enclosure being fitted, please refer to shower enclosure literature.

Prior to commencing installation of the enclosure and once the silicon sealant has set, spray the shower hand set around all joints and check for leaks.

Step 7 - Fitting of Shower Enclosure

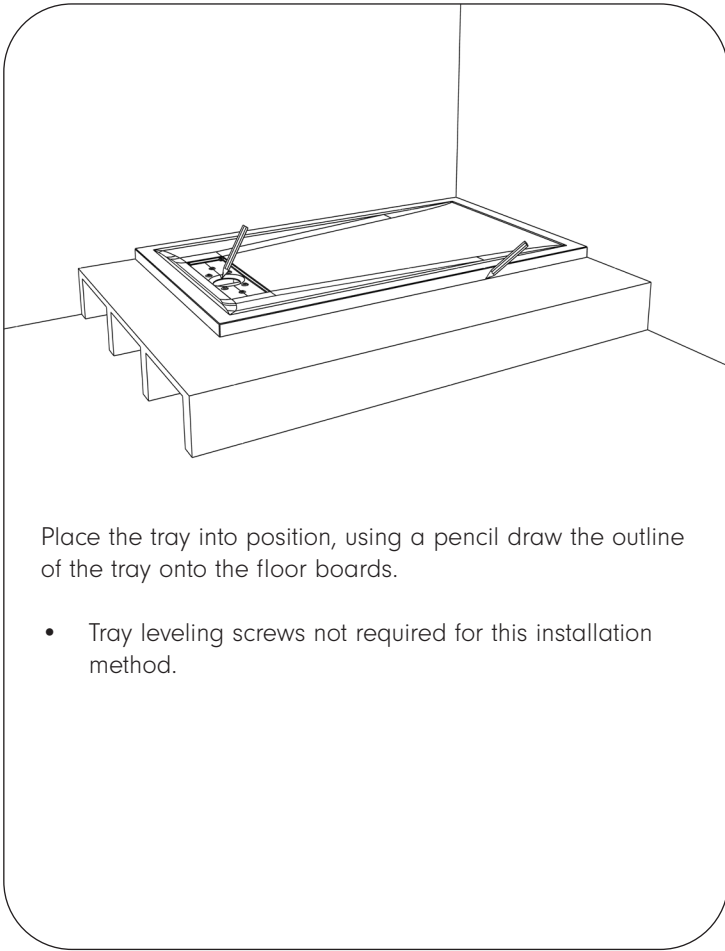


Fit the waste cover plate to finish the tray installation.

Once all of the above steps have been completed and are satisfied with the fit of the tray and all sealant has cured, please refer to the enclosure fitting instructions to begin fitting the shower enclosure.

Installation Procedure B - Sunken Floor Instructions

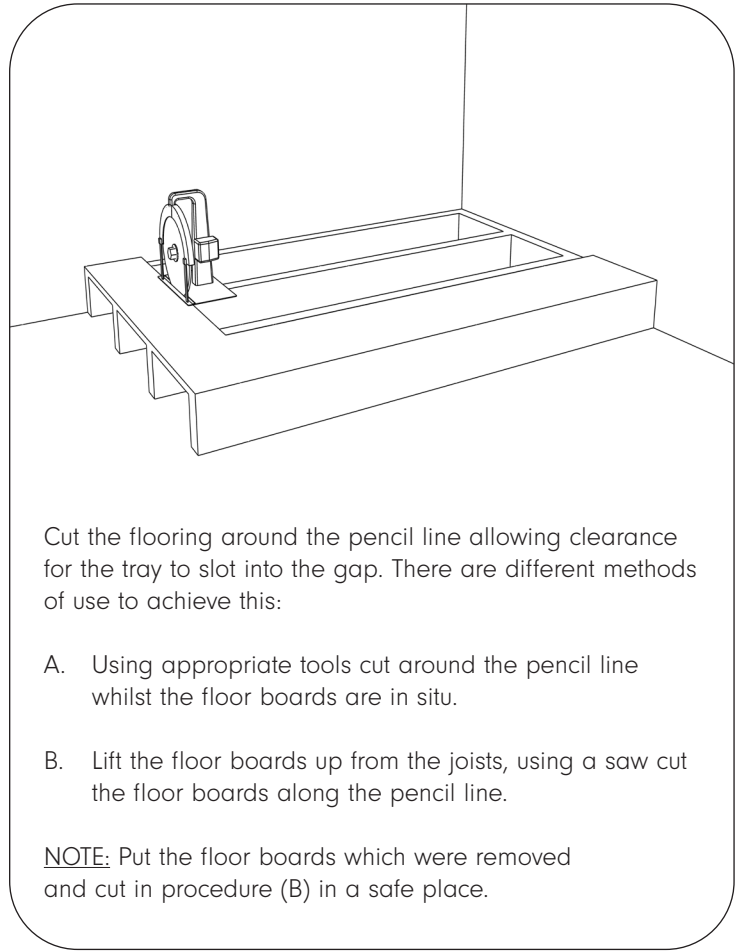
Step 1 - Mark Tray Position



Place the tray into position, using a pencil draw the outline of the tray onto the floor boards.

- Tray leveling screws not required for this installation method.

Step 2 - Cut Flooring

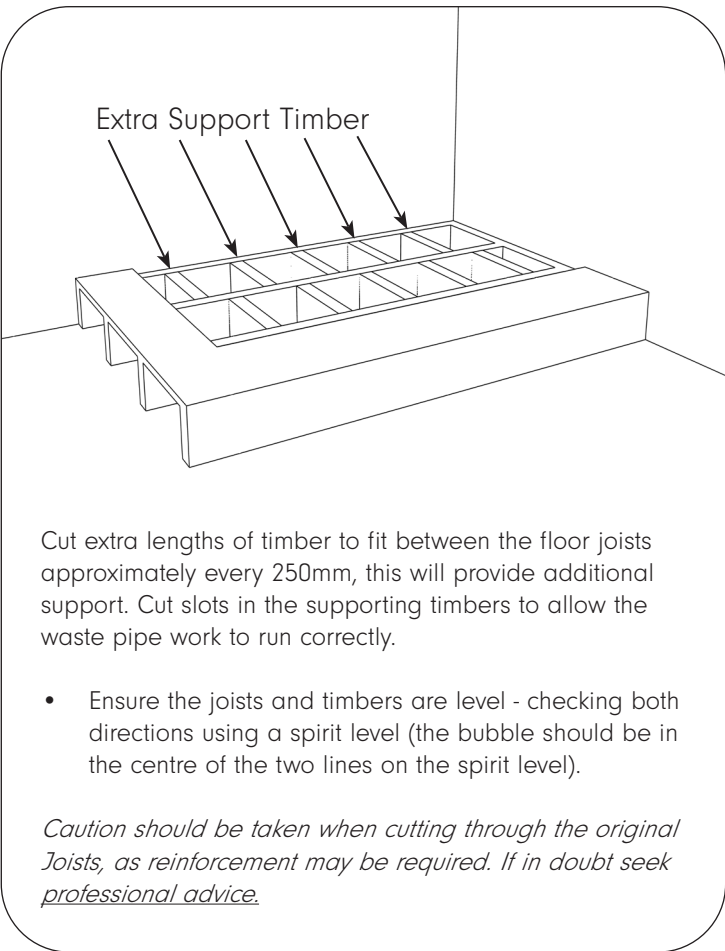


Cut the flooring around the pencil line allowing clearance for the tray to slot into the gap. There are different methods of use to achieve this:

- A. Using appropriate tools cut around the pencil line whilst the floor boards are in situ.
- B. Lift the floor boards up from the joists, using a saw cut the floor boards along the pencil line.

NOTE: Put the floor boards which were removed and cut in procedure (B) in a safe place.

Step 3 - Fit Support Timber

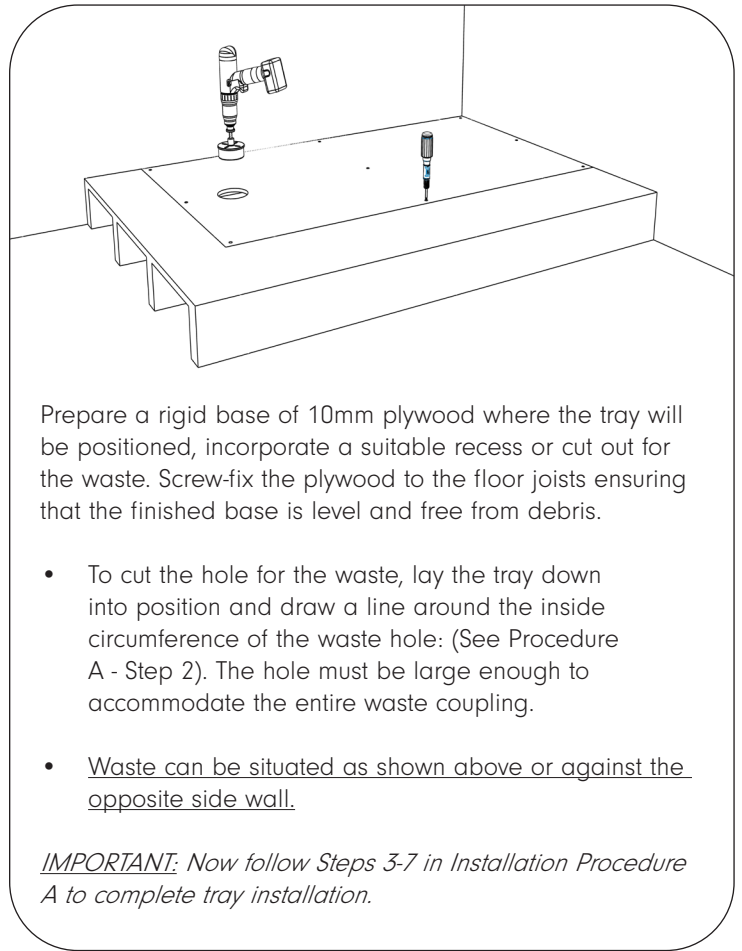


Cut extra lengths of timber to fit between the floor joists approximately every 250mm, this will provide additional support. Cut slots in the supporting timbers to allow the waste pipe work to run correctly.

- Ensure the joists and timbers are level - checking both directions using a spirit level (the bubble should be in the centre of the two lines on the spirit level).

Caution should be taken when cutting through the original Joists, as reinforcement may be required. If in doubt seek professional advice.

Step 4 - Cut & Fit Plywood Base



Prepare a rigid base of 10mm plywood where the tray will be positioned, incorporate a suitable recess or cut out for the waste. Screw-fix the plywood to the floor joists ensuring that the finished base is level and free from debris.

- To cut the hole for the waste, lay the tray down into position and draw a line around the inside circumference of the waste hole: (See Procedure A - Step 2). The hole must be large enough to accommodate the entire waste coupling.
- Waste can be situated as shown above or against the opposite side wall.

IMPORTANT: Now follow Steps 3-7 in Installation Procedure A to complete tray installation.