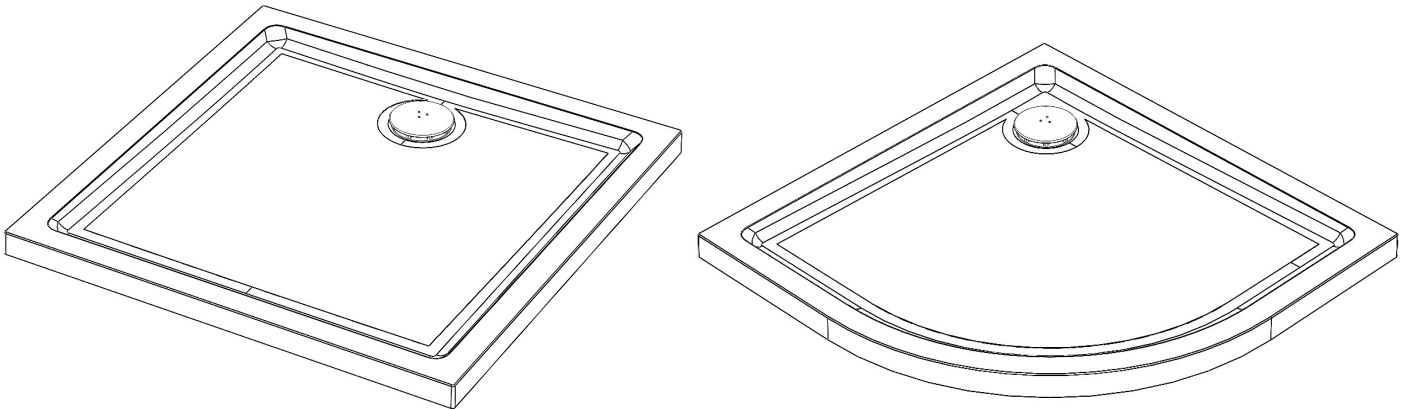


# Anti-Slip Tray

## Square/Rectangular & Quadrant



### BEFORE STARTING (IMPORTANT)

- Please read these instructions carefully prior to attempting the installation. The low level tray will provide many years of trouble-free service if installed correctly. Important - some of the installation points are different to that associated with a conventional cast tray.
- Unpack and handle the product with care to avoid damage to the product finish.
- Ensure the walls to which the enclosure is to be fitted are vertical.
  - NOTE: THE WALLS SHOULD BE TILED AND GROUTED AFTER THE TRAY IS FITTED.
- Ensure tiling thickness onto tray apron is adequate for shower enclosure being fitted, please refer to shower enclosure literature.
- Pictures are used for illustration purposes only; product designs may alter slightly as a result of continuing product development.
- Follow the shower waste assembly process as included with the shower waste packaging, inadequate gradients on waste pipe work may lead to water damage which is not covered under the terms of the guarantee.
- This product must be bedded down on a bed of mortar of a weak 5:1 sand & cement mix (wet mix) on a solid base of either plywood or concrete in installations A and B. This flattens out any undulations between the floor and the tray base.
- Excessive loading on a poorly supported tray may lead to damage of the tray.
- Allow 24 hours for 5:1 mortar mix and sealant to cure before progressing with remaining installation procedure.

### PRE-INSTALLATION CHECKS:

- Check to see that you have the correct tray for your enclosure. This can be done by referring to the label on the side of the product packaging.
- Ensure all parts are in the packaging by checking them against the parts and quantities shown on the component checklist above.
- Check the product for defects or damage. Fitting the product is acceptance of quality and once the installation has been completed we cannot accept responsibility for any defects or damage to the product.
- The tray must be completely sealed along the tiled walls, fitted level (check with a spirit level) and should have no leaks.

### SAFETY:

- These low level trays are heavy. It is recommended that at least two people carry out the installation of the tray to help prevent personal injury and damage to the product.
- Check for any hidden electrical cables and water pipes prior to commencing any drilling work.
- Wear the appropriate PPE when carrying out the installation process, such as safety eye wear and gloves.



### Consumer Guarantee

Please make sure the purchaser/end user completes and returns the guarantee card which is enclosed with this product. Failure to validate the Guarantee will mean only the 1 Year Statutory Guarantee will apply.



To obtain a copy of the Declaration of Performance for this product, please go to: [www.ole-slip.com](http://www.ole-slip.com), contact us on +44 (0) 1325 308034, or write to us at the above address, quoting the product reference number where possible.



REV01 - 07.2023

## **Maintaining Your Shower Tray**

Any residue remaining from the shower on the shower tray after use should be cleaned with a soft cloth or sponge saturated with liquid cleaning detergent.

Do not use substances containing abrasive components, as they may damage the surface area of the shower tray. The surfaces of the tray should be protected against organic solvents, acetone, fire or sources of high temperature as well as being hit with sharp objects.

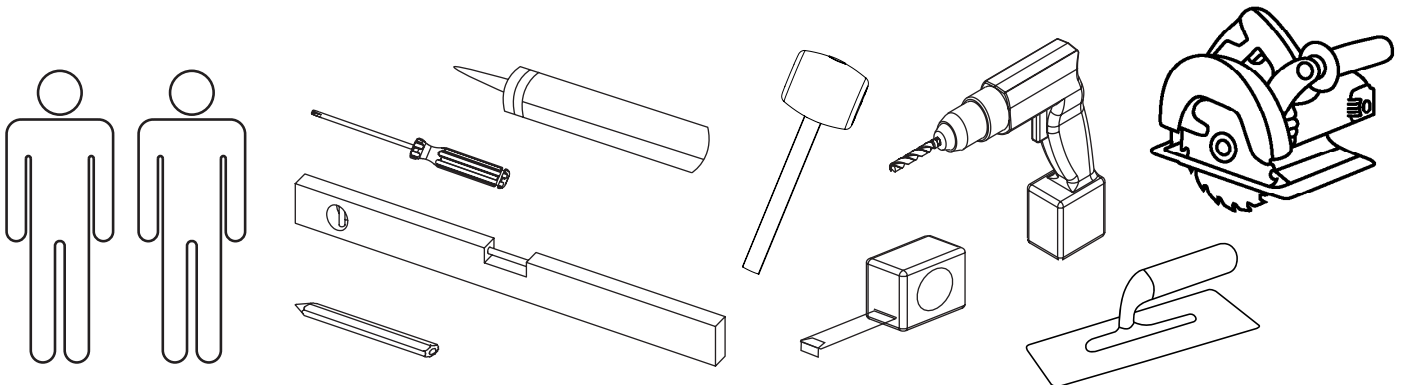
Filling the products starts with cold water and temperature of hot water should not exceed 55 degrees Celsius.

## **Tray Installation Procedures**

The Low-Level Tray is intended to give a distinctive and minimalist appearance when installed with its corresponding enclosure. Additional benefits arise from the low level tray in the form of easy access for the user and the ability to create a nearly flush fitting using the following tips. The range offers an opportunity to own a fashionable enclosure that will add to the visual appeal of any bathroom while providing easy access for all the family.

- A. Install the tray conventionally as per Installation Procedure A prior to fitting the floor tiles. Floor tiling up to the tray will reduce the installed height by the amount equal to the thickness of the tile plus the adhesive (typically 10-15mm). A similar visual effect may be achieved with a piled carpet.
- B. Remove the floor boards and sink the tray below the floor boards as in Installation Procedure B. Typical floor boards in modern houses are approx. 15 - 20mm thick, so sinking the tray below the floor boards can reduce the height to around 25 - 40mm. Laying floor tiles up to the tray can provide a more flush fit.
- C. Should the tray require lifting to provide adequate space for the waste pipes Procedure C will ensure there is adequate support for the tray by using the optional riser kit.

## **Equipment Checklist: Not Supplied**

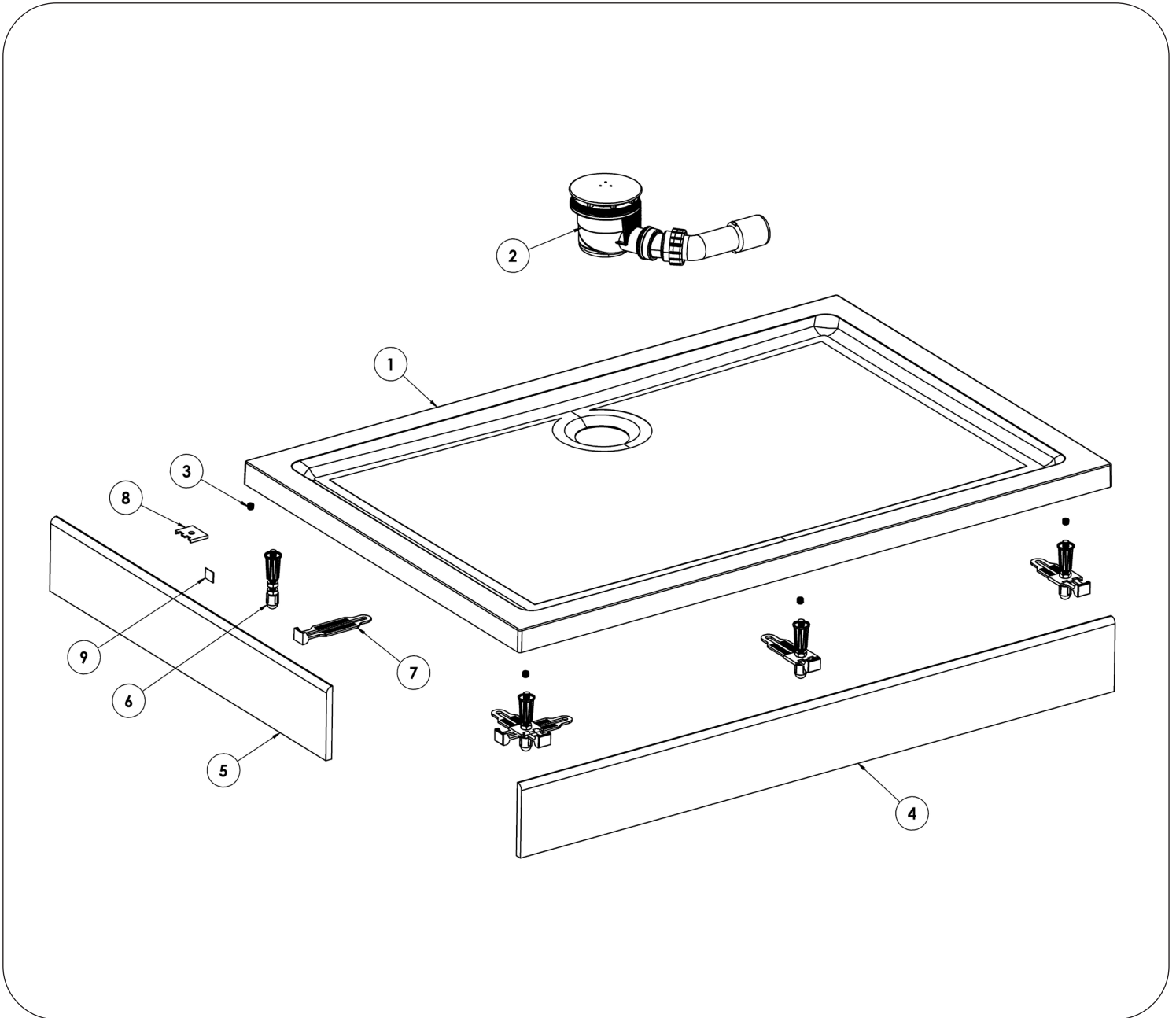


Should you experience any problems during installation please contact customer relations on:

+44 (0) 1325 328033

To enable customer relations to provide you with an excellent level of service it is important that you quote your product code and reference number - these can be found on the Guarantee card.

## Spare Parts Guide



### Anti-Slip Tray Parts

### Riser Kit Parts

Part No.	Description	Qty		Part No.	Description	Small Tray/Quad Qty	Large Tray Qty
1	Tray	1		4	Fascia (Front)	1	1
2	Waste Assembly	1		5	Fascia (Side)	1	1
3	Leveling Screws	5/8		6	Tray Feet	5	8
				7	Fascia to Foot Joint	3	5
				8	Joining Plate	3	5
				9	Adhesive Pad	3	5

*NOTE:*

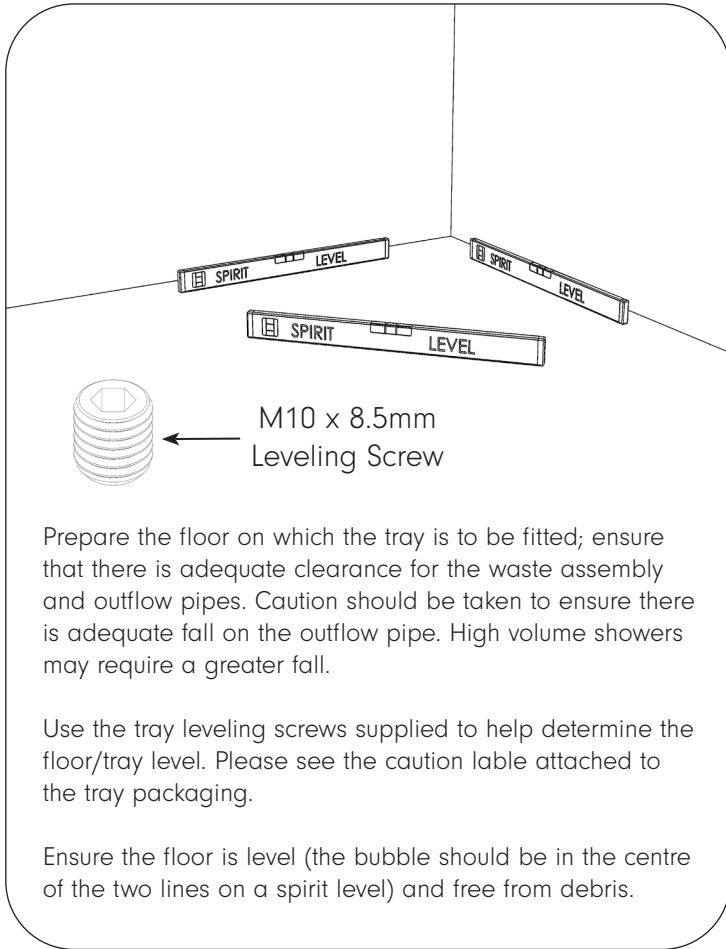
*Small Tray = Smaller than 1200mm (And Quadrant Trays)*

*Large Tray = 1200mm or Larger*

Spare Parts: If you need to replace any damaged parts please call Customer Relations on 01325 328033.

# Installation Procedure A - Direct to Floor

## Step 1 - Pre-Installation Checks



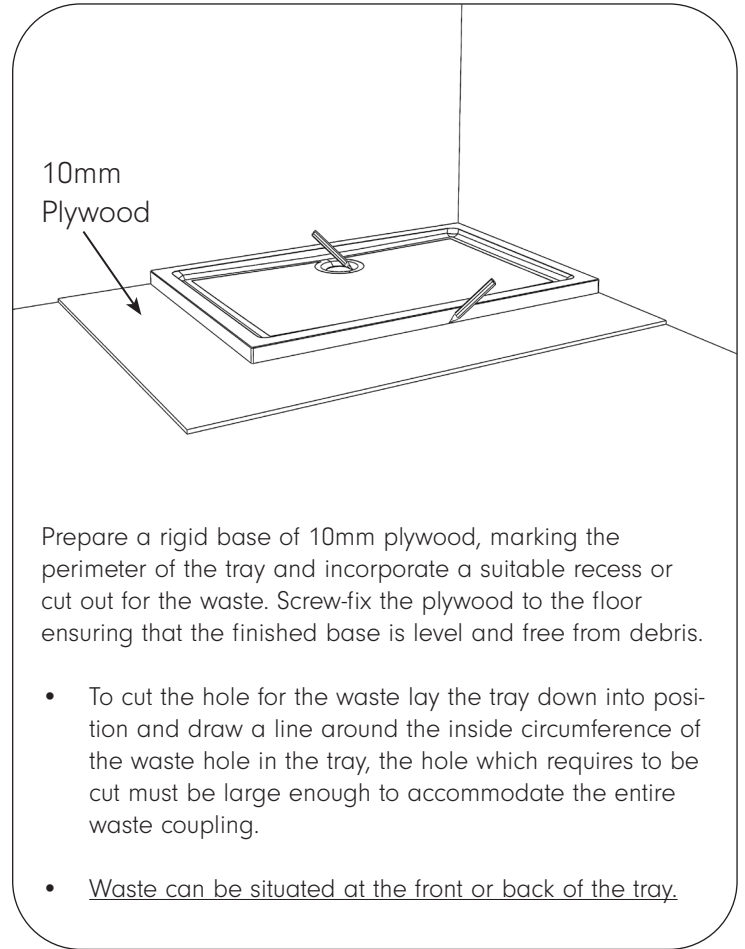
The diagram shows a corner of a room with three spirit levels placed on the floor. One level is horizontal, while the other two are at an angle. Below the levels, a stack of leveling screws is shown with an arrow pointing to the text 'M10 x 8.5mm Leveling Screw'.

Prepare the floor on which the tray is to be fitted; ensure that there is adequate clearance for the waste assembly and outflow pipes. Caution should be taken to ensure there is adequate fall on the outflow pipe. High volume showers may require a greater fall.

Use the tray leveling screws supplied to help determine the floor/tray level. Please see the caution label attached to the tray packaging.

Ensure the floor is level (the bubble should be in the centre of the two lines on a spirit level) and free from debris.

## Step 2 - Marking Out Tray

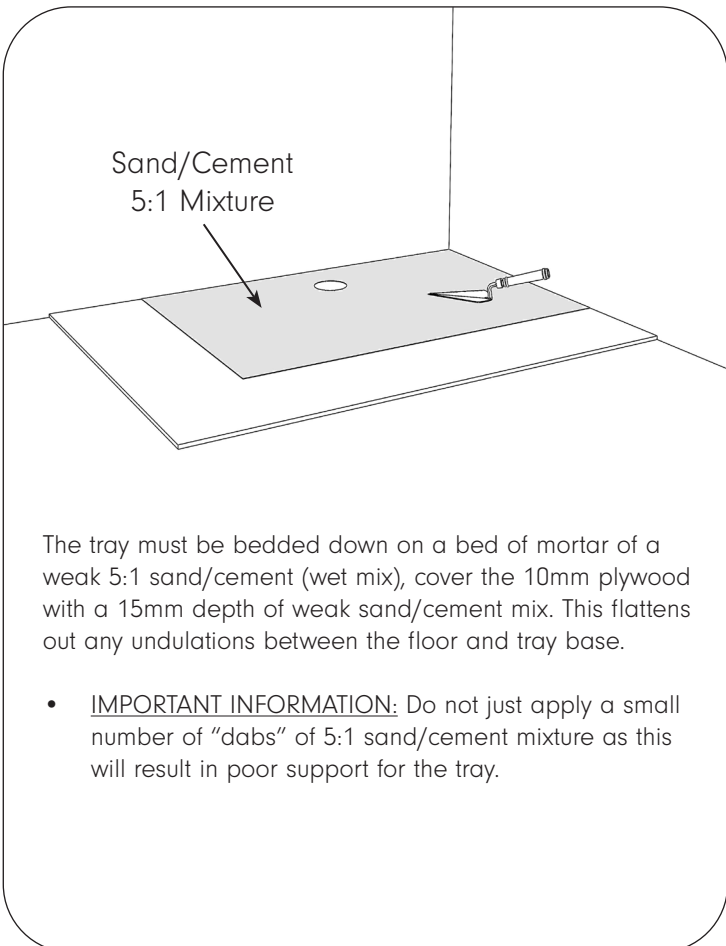


The diagram shows a rectangular tray being placed on a floor. A 10mm plywood base is being prepared around the tray. A hole is marked in the center of the tray for the waste pipe. An arrow points to the plywood with the label '10mm Plywood'.

Prepare a rigid base of 10mm plywood, marking the perimeter of the tray and incorporate a suitable recess or cut out for the waste. Screw-fix the plywood to the floor ensuring that the finished base is level and free from debris.

- To cut the hole for the waste lay the tray down into position and draw a line around the inside circumference of the waste hole in the tray, the hole which requires to be cut must be large enough to accommodate the entire waste coupling.
- Waste can be situated at the front or back of the tray.

## Step 3 - Bedding Tray

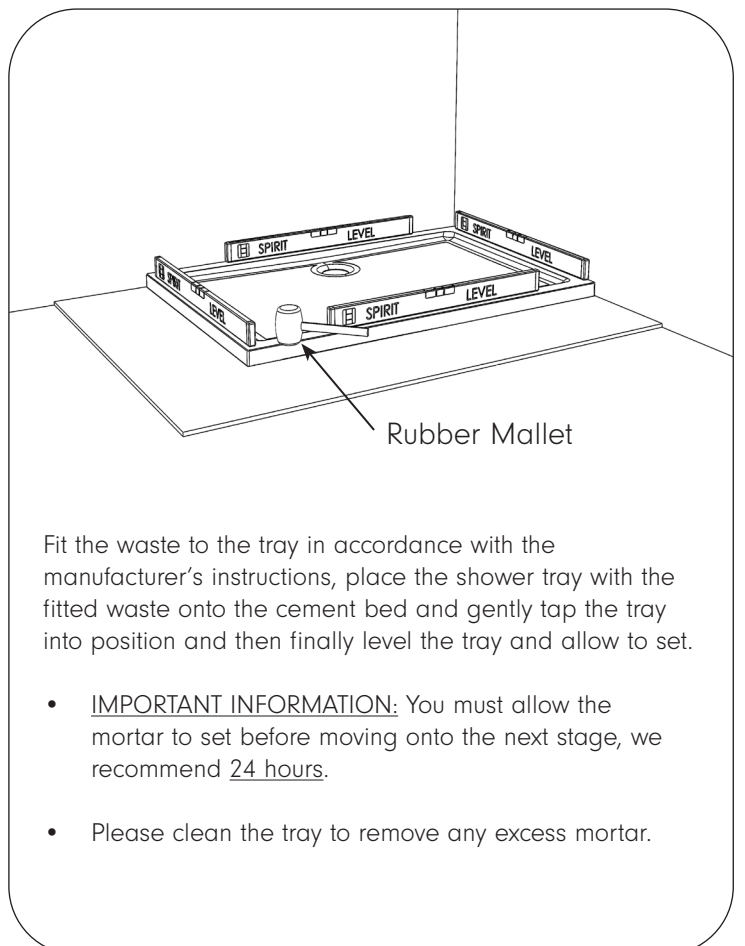


The diagram shows a tray being placed on a bed of mortar. An arrow points to the mortar with the label 'Sand/Cement 5:1 Mixture'. A trowel is shown smoothing the mortar.

The tray must be bedded down on a bed of mortar of a weak 5:1 sand/cement (wet mix), cover the 10mm plywood with a 15mm depth of weak sand/cement mix. This flattens out any undulations between the floor and tray base.

- IMPORTANT INFORMATION:** Do not just apply a small number of "dabs" of 5:1 sand/cement mixture as this will result in poor support for the tray.

## Step 4 - Laying & Levelling Tray



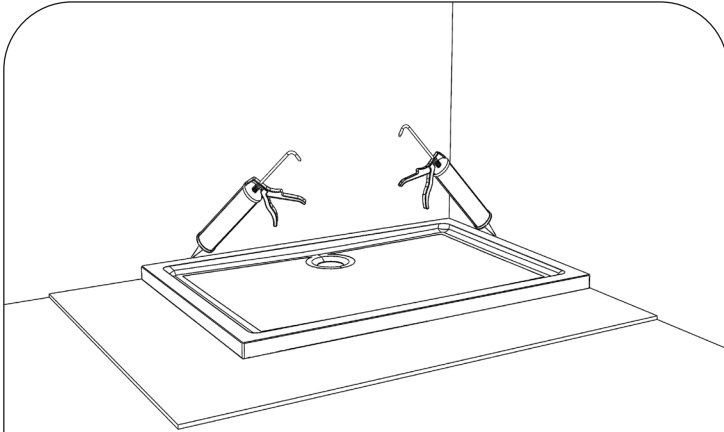
The diagram shows the tray being leveled on the mortar bed. Spirit levels are used to check the level. An arrow points to a rubber mallet with the label 'Rubber Mallet'.

Fit the waste to the tray in accordance with the manufacturer's instructions, place the shower tray with the fitted waste onto the cement bed and gently tap the tray into position and then finally level the tray and allow to set.

- IMPORTANT INFORMATION:** You must allow the mortar to set before moving onto the next stage, we recommend 24 hours.
- Please clean the tray to remove any excess mortar.

## Installation Procedure A - Direct to Floor

### Step 5 - Sealing Tray

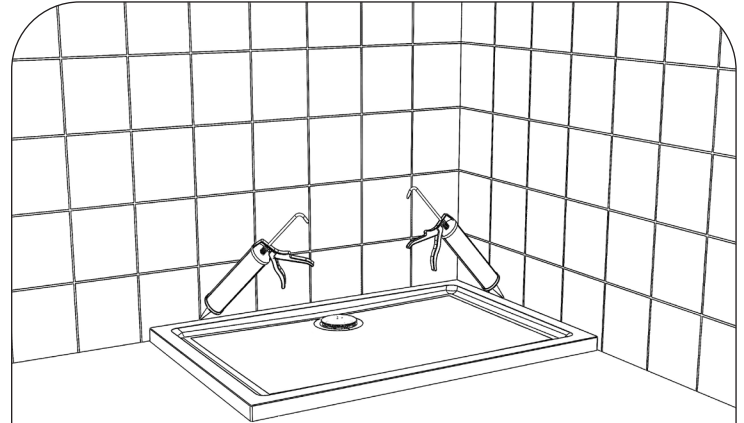


When the shower tray is set, connect the waste pipe and check all plumbing for leaks, flow and adequate drainage over the entire tray area.

- **DO NOT PROCEED UNTIL ALL PLUMBING IS WORKING CORRECTLY.**

Once you are completely satisfied with the plumbing, seal the joints between the tray and wall with a good quality bath room sealant and allow to set.

### Step 6 - Tiling & Grouting

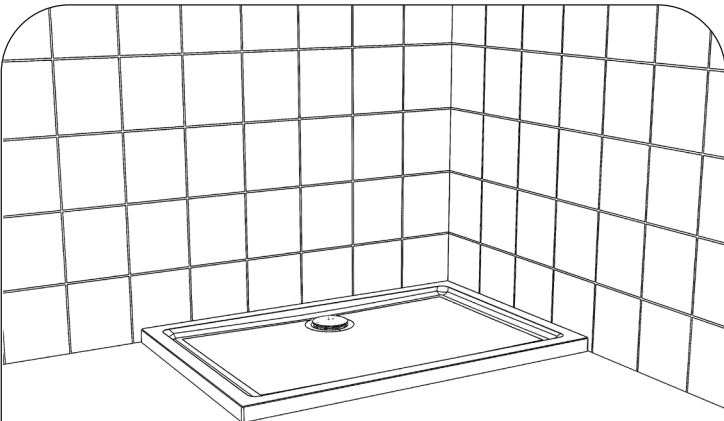


The tray should be tiled and grouted at this stage, seal the joints with a good quality bathroom sealant and allow to set.

- **IMPORTANT:** Ensure tiling thickness onto tray apron is adequate for shower enclosure being fitted, please refer to shower enclosure literature.

Prior to commencing installation of the enclosure and once the silicon sealant has set, spray the shower hand set around all joints and check for leaks.

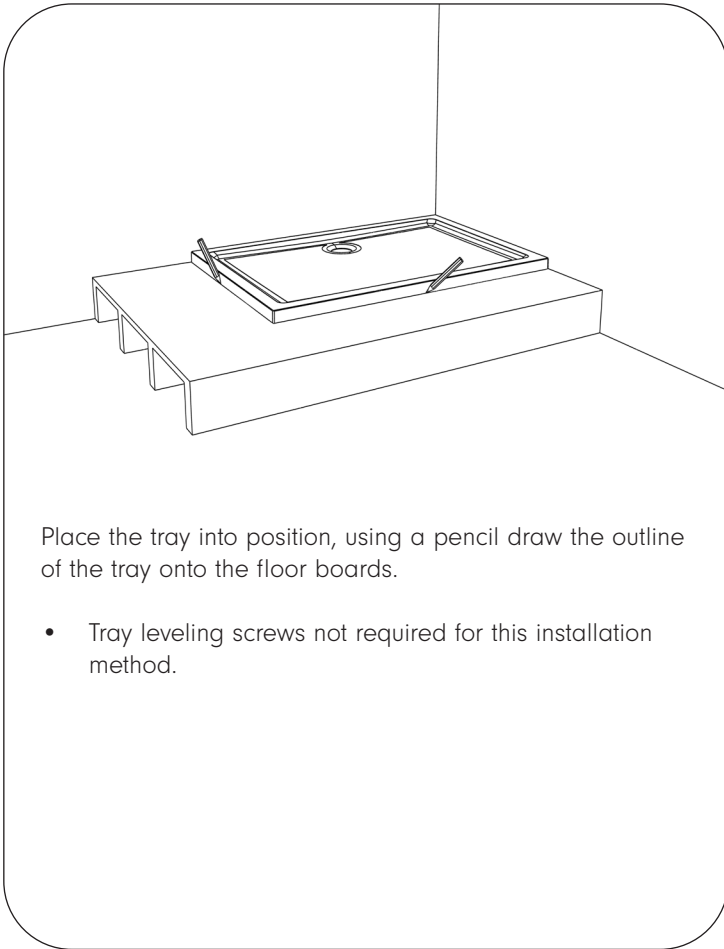
### Step 7 - Fitting of Shower Enclosure



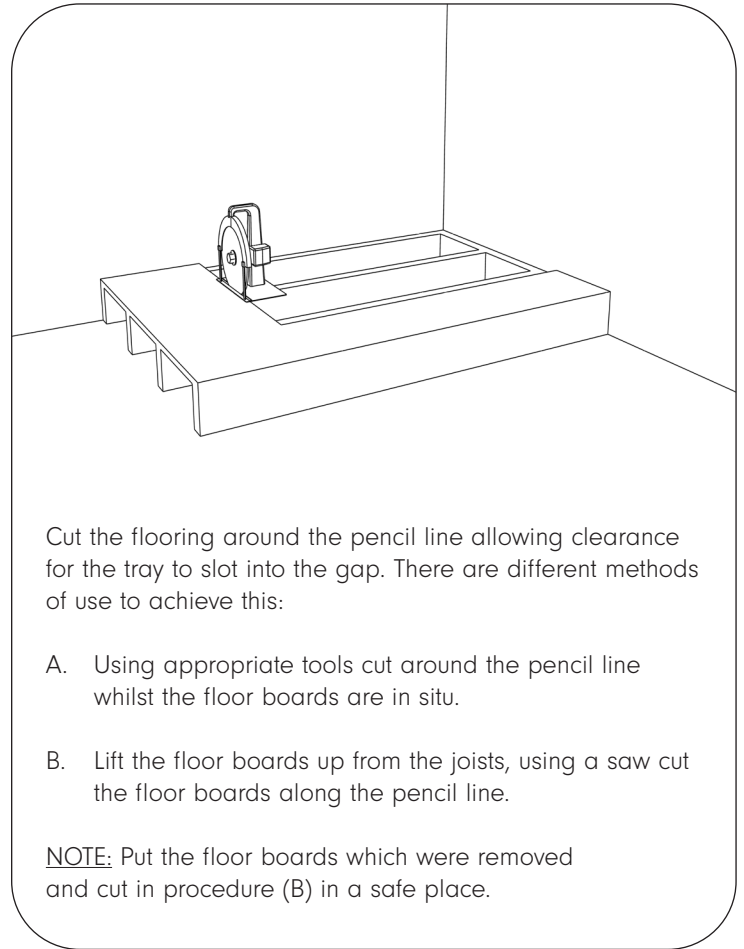
Once all of the above steps have been completed and are satisfied with the fit of the tray and all sealant has cured, please refer to the enclosure fitting instructions to begin fitting the shower enclosure.

# Installation Procedure B - Sunken Floor Instructions

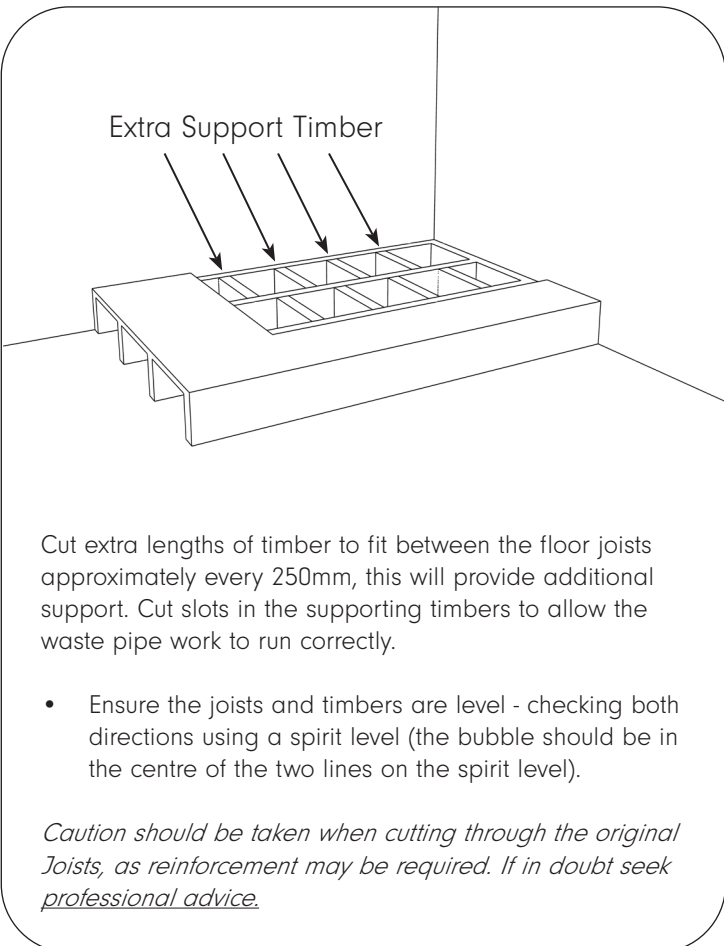
## Step 1 - Mark Tray Position



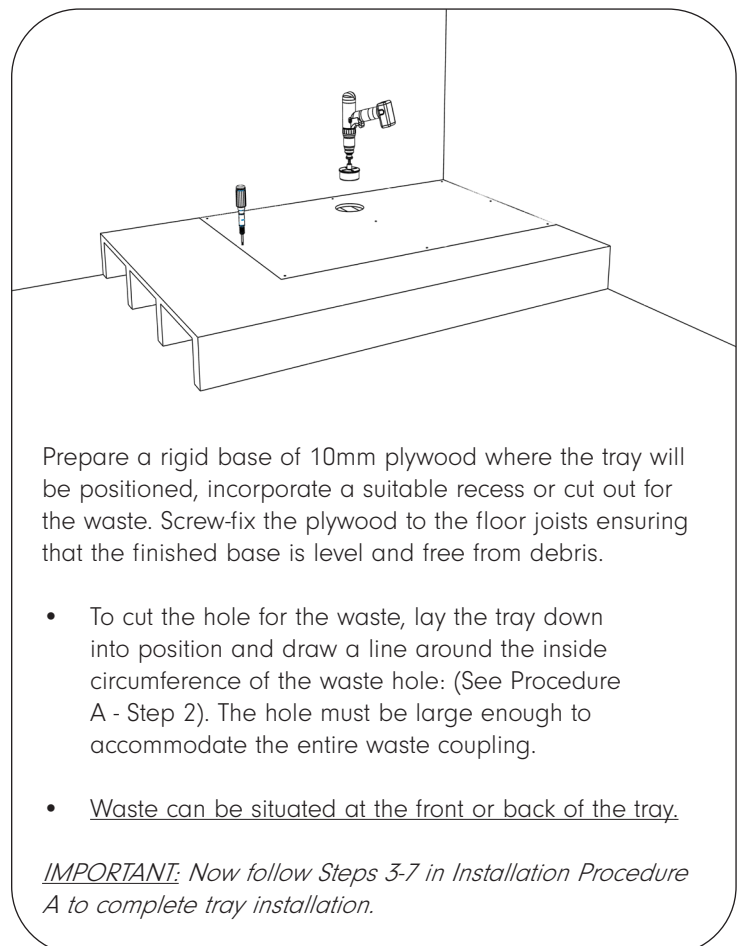
## Step 2 - Cut Flooring



## Step 3 - Fit Support Timber

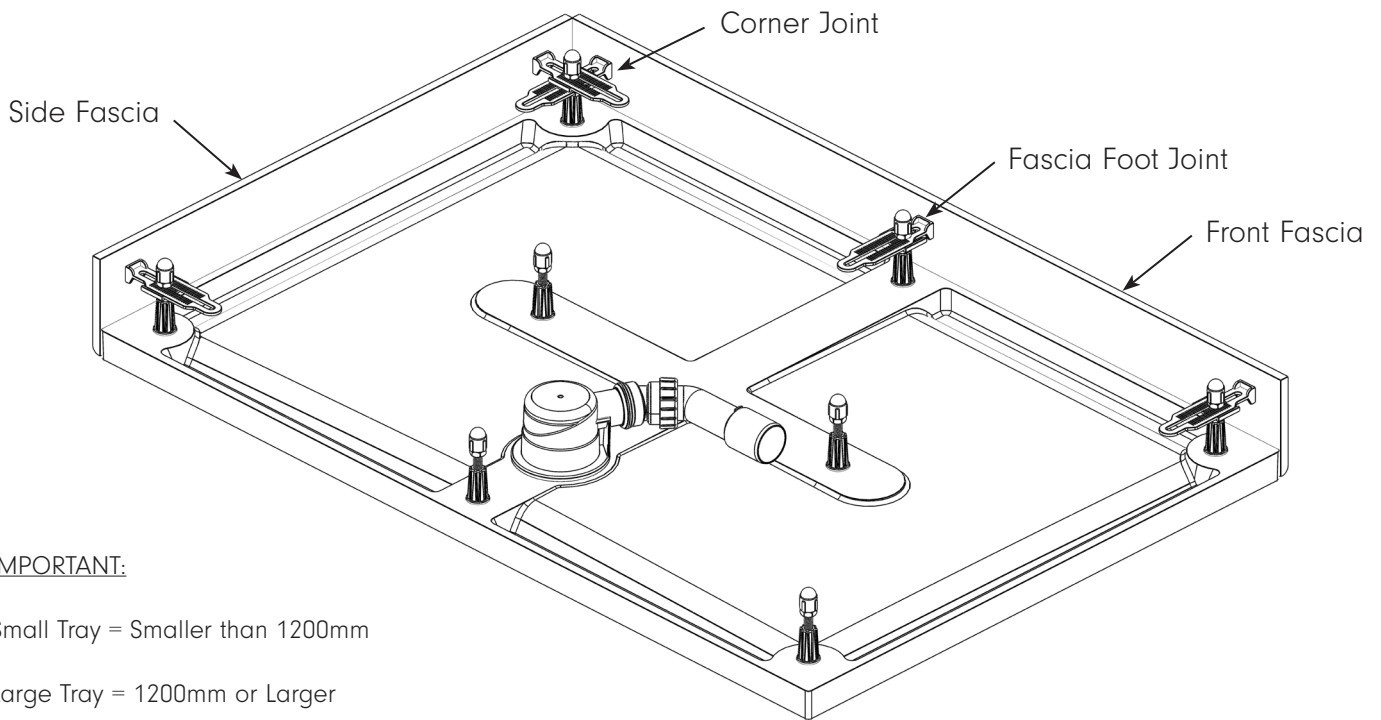


## Step 4 - Cut & Fit Plywood Base



# Installation Procedure C - Tray Feet Installation

## Pre-Installation Checks



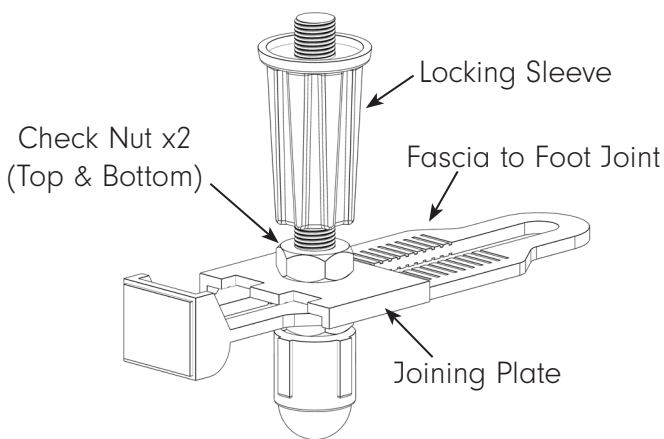
### IMPORTANT:

Small Tray = Smaller than 1200mm

Large Tray = 1200mm or Larger

- A. Alcove Situation - Only the front tray feet need fascia to foot joints adding... 2 for small trays, 3 for large trays.
- B. Corner Situation - Front & outer side tray feet need fascia to foot joints, with 2 joints on the corner foot... 3 for small trays & quads, 4 for large trays.

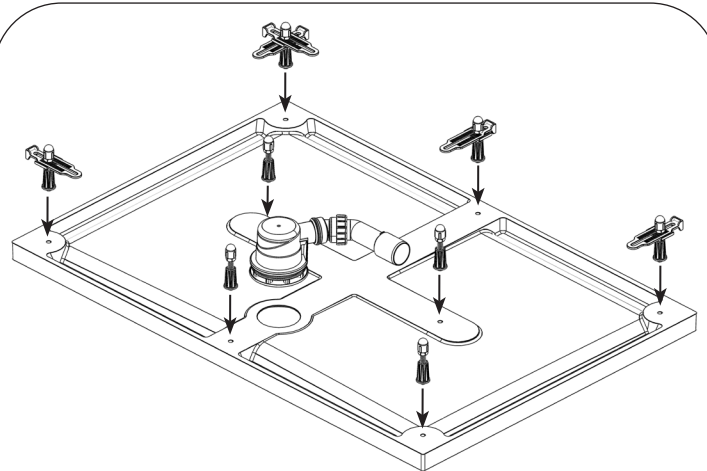
## Step 1 - Setting Up Tray Feet



Carefully unpack the shower tray and lay it face down on a dust sheet or similar for protection.

Take the tray feet and fit the fascia to foot joints to the required number as stated above, depending on your tray size/type.

## Step 2 - Fitting Tray Feet & Waste



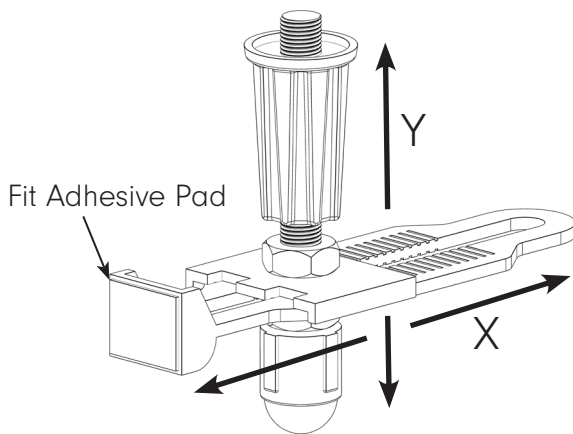
Screw in all the tray feet into the inserts on the underside of the tray until they bottom out, tighten the locking sleeve if the tray foot onto the tray. The feet should be set at 100mm from the underside of the tray to give a total height of 140mm (tray + feet).

Flip the tray over into position and ensure the tray is COMPLETELY LEVEL all around using Spirit Levels, using the tray feet to adjust the height accordingly (Y).

Make all the plumbing connections and ensure all check nuts are tight on accessilbe tray legs.

## Installation Procedure C - Tray Feet Installation

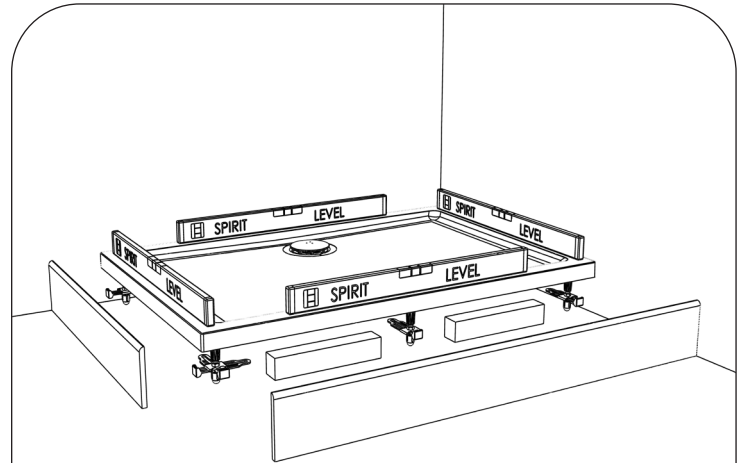
### Step 3 - Adjusting Tray Feet



Fit the adhesive pads onto the front faces of the fascia to tray foot joints, leaving on the release paper till later on in the process.

Loosen the check nut, lifting the joining plate up in order to manoeuvre the fascia to foot joint in and out (X) so that the adhesive pad is in-line with the tray edge and the fascia are vertical and flush to the tray.

### Step 4 - Fitting Fascia



Cut the fascias to length to suit the tray. Measure the distance from the floor to the underside of the tray and carefully cut the fascias to these dimensions.

A small batten (not supplied) should be fitted to support the base of the fascia, this is to prevent the bottom of the fascia from being pushed in.

When the fascias are adjusted, remove the release paper on the adhesive pads and position the fascias up to the tray edge then press firmly into place.

***IMPORTANT:** Now follow Steps 5-7 in Installation Procedure A to complete tray installation.*

Should you experience any problems during installation please contact customer relations on:

+44 (0) 1325 328033

To enable customer relations to provide you with an excellent level of service it is important that you quote your product code and reference number - these can be found on the Guarantee card.