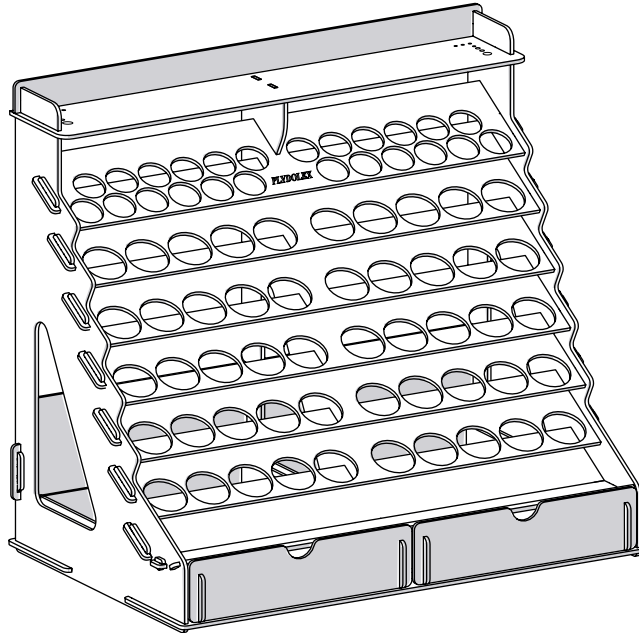




# PLYDOLEX

PR-415x375 Plydolex 74 Holes Wooden Paint Organizer Compatible with Citadel® and Vallejo®

Assembly instruction

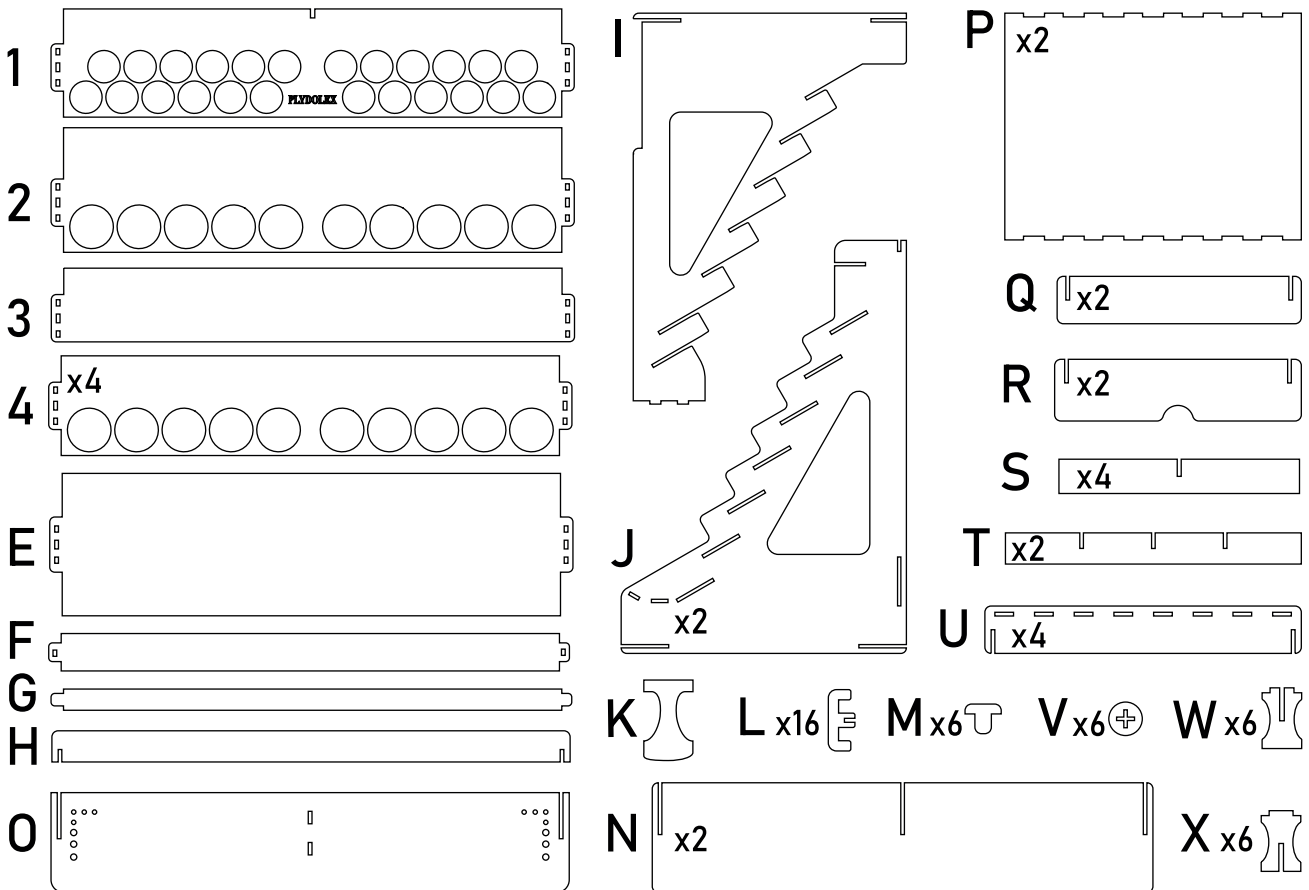


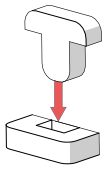
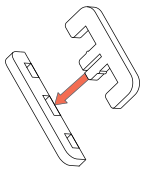
Video assembly guide



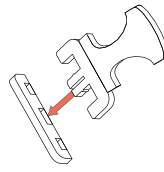
PDF assembly guide  

Set contains:





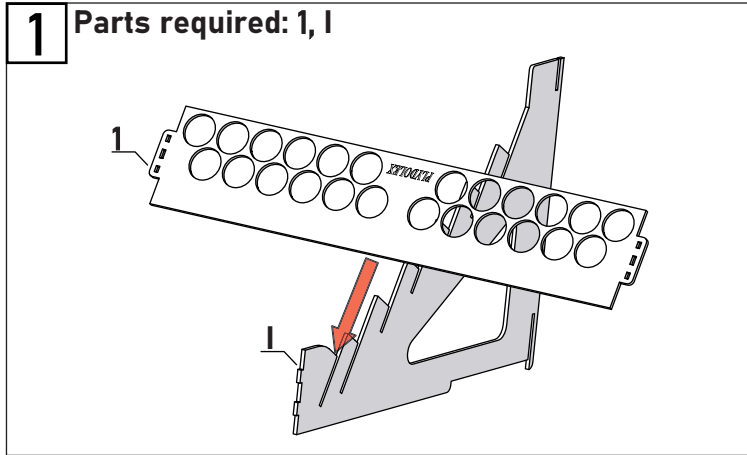
During the assembly process, you will need to use elements L and M to fasten the parts. All steps that require using these elements will be indicated by "FASTEN" sign.



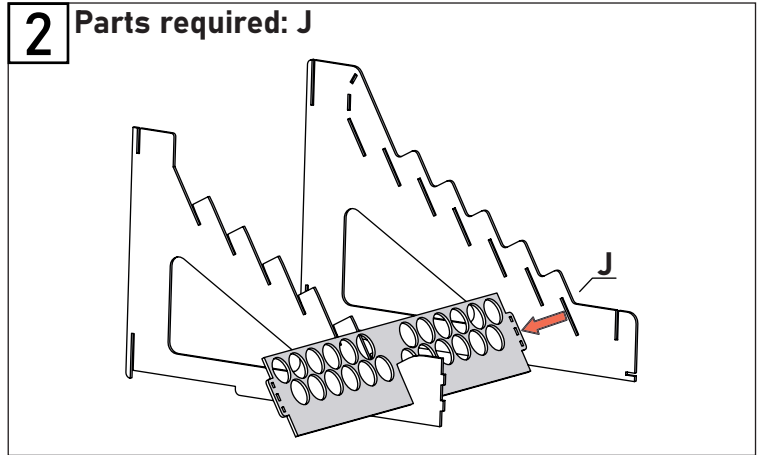
Also this set includes special **key K** that will help you insert fixing elements L and M more conveniently.

**To make the construction more solid, we recommend using glue for the assembly.**

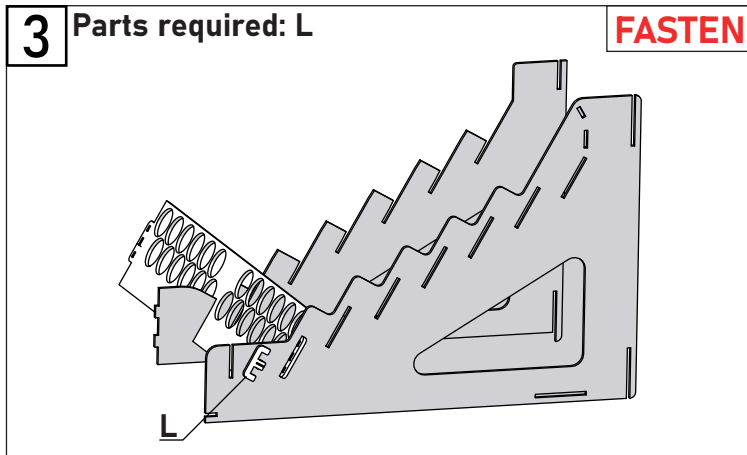
Assembly:



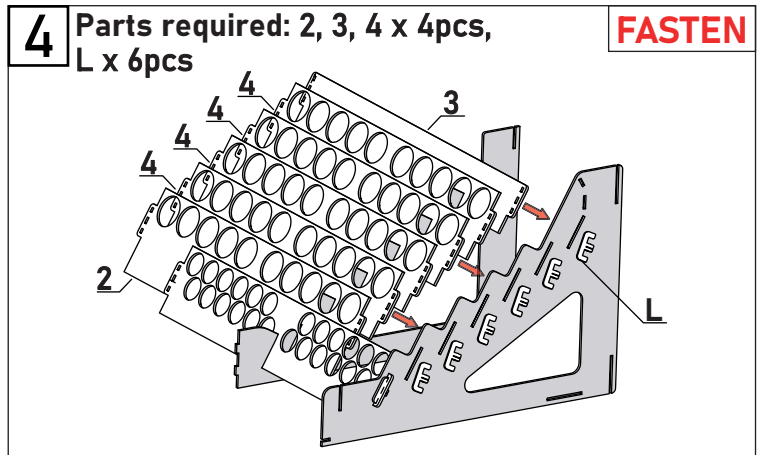
Insert part 1 into slot of part I as shown on the picture.



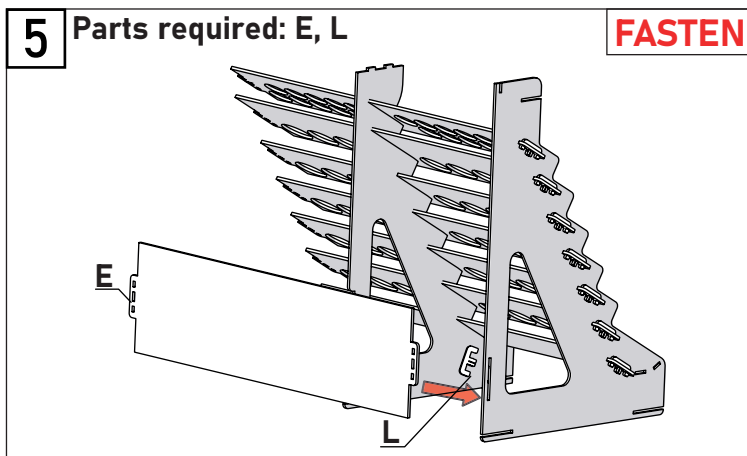
Install side wall J as shown on the picture.



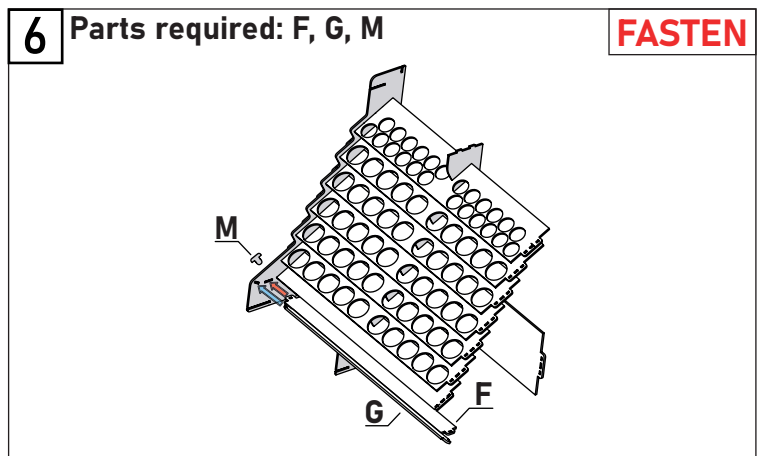
Fasten installed part using element L.



Install parts 2, 3 and 4 x 4pcs as shown on the picture. Fasten inserted parts using elements L (as in step 3).

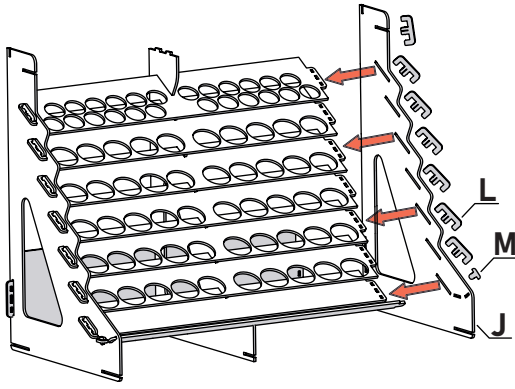


Turn the organizer backward and install part E as shown on the picture. Fasten it using element L (as in step 3).



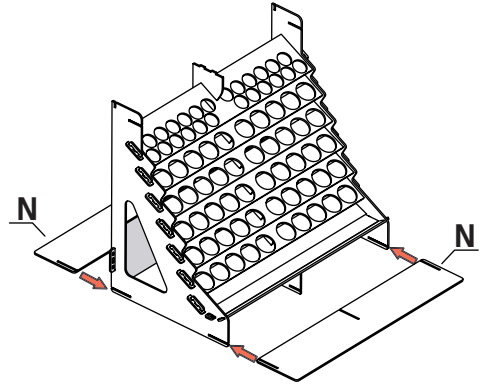
Turn the organizer frontward and install parts F and G as shown in the picture. Fasten part F using element M (as in step 3).

**7** Parts required: J, L x 7pcs, M **FASTEN**



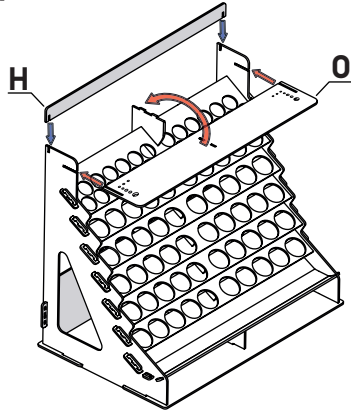
Install the second side wall J. Fasten it using elements L and M (as in step 3).

**8** Parts required: N x 2pcs



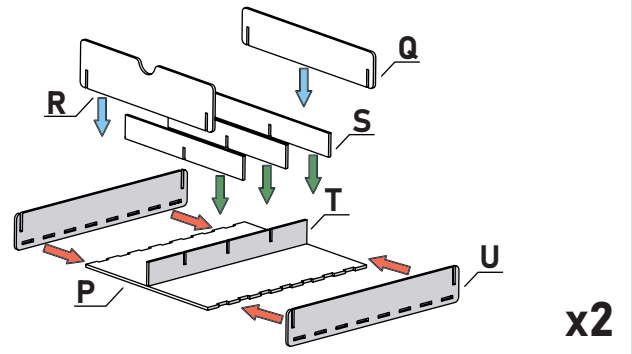
Install parts N as shown on the picture.

**9** Parts required: H, O



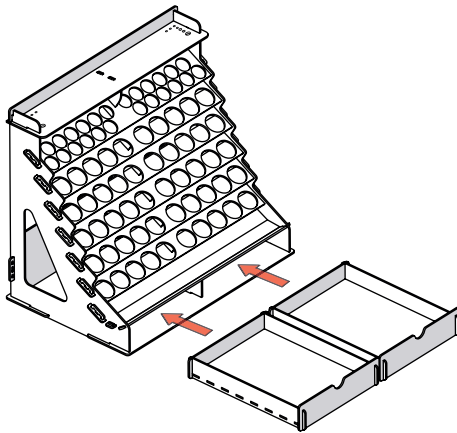
First insert part O as shown on the picture. Lift it up a little in the center, while inserting, to get the part in place. After that install part H.

**10** Parts required: P x 2pcs, Q x 2pcs, R x 2pcs, S x 4pcs, T x 2pcs, U x 4pcs



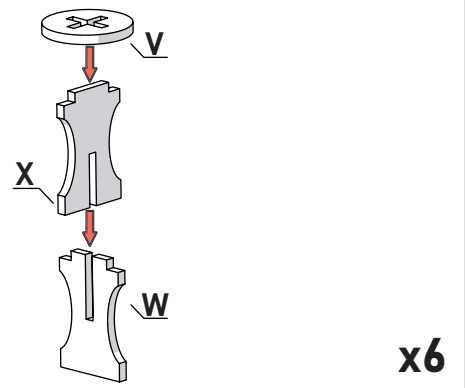
Assemble two drawers according to the scheme. Please note, that there are total 4pcs of drawer dividers (part S). With the help of those you can adjust the size of the inner drawers.

**11**



Install the drawers as shown on the picture.

**12** Parts required: V x 6pcs, W x 6pcs, X x 6pcs



Assemble the miniature stands according to the scheme.

**Your organizer is ready to use!**

Contact us by email with any questions or suggestions - [info@plydolex.com](mailto:info@plydolex.com)  
We value your feedback and are here to assist you!