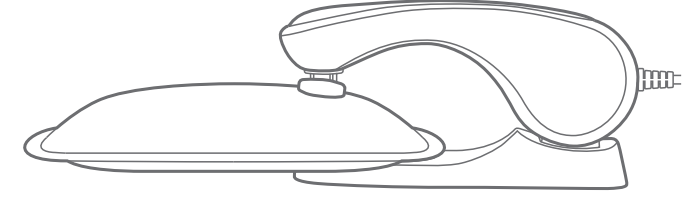


USER MANUAL

Heat-Mate Electric Hot Water Bag

Model : HB 700



Sensing Health Everywhere

FAULTS AND TROUBLESHOOTING

Common faults	Fault Judgment	Inspection and treatment
Indicator light is off	The power cord is not connected	Plug the power cord into the power socket
	The connector linker is not fully inserted into the appliance socket	Make the connector completely insert into the socket
	Temperature of water bag is still high, thermostat does not reset	Wait until the temperature decreases and thermostat resets
	The bag body expands, and the explosion-proof device automatically cuts off the electricity	The gas in the bag needs to be exhausted
The indicator light is bright but not heated	The heating element is damaged	Please contact HealthSense Customer support
Bag body seepages	Bag body wear or stab	
Bag body contains less water	Leakage • Use period is more than two years	

TIPS

- If you use it again, please follow the above method. If it is not heated (the indicator light is not on), it is caused by the safety protection device, and it can be resumed when the temperature of the bag is lowered.
- The appliance has been inspected in the factory, and the user cannot add or subtract water by themself.
- After long-term use of the hot water bag, gas will be generated in the bag body and bag body expands. When the hot water bag is inflated, the power supply device will automatically power off when the power supply device does not reach the predetermined temperature, indicating that the expanded bag body needs to be exhausted. Contact HealthSense Customer Support Team for service

WARRANTY TERMS

Entitle yourself for the 1 year HealthSense warranty by registering your purchase and easily reach us to submit your product related issues & queries, when you follow these hassle free ways.

At HealthSense our top priority has always been our valued customers. We very well know your HealthSense product is a part and parcel of your everyday life, which is why we are more easily accessible than earlier.

SCAN - For Warranty Registration



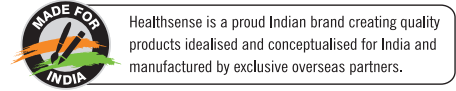
(Must register within 30 days from date of purchase)

SCAN - To File Complaint



(Fill & submit form if you are facing any product related issues)

- * For detailed warranty terms please visit the link : www.healthsense.in/warranty-terms
- * For additional support : Mail us at support@healthsense.in or Call us on : 080-41262836



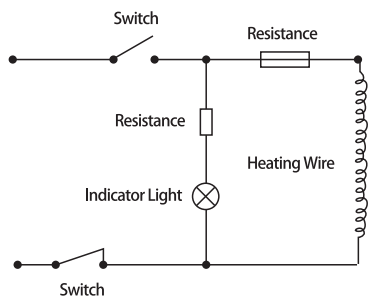
Connect with us @healthsenseindia

IMPORTANT

- This hot water bag must be used in accordance with the instructions of this manual. Please retain this manual for future use.
- Do not allow usage without supervision for infants, people who are impotent and/or not sensitive to heat.
- The water bag must be laid flat while charging, which otherwise may result in the body being burnt out.
- The water bag is pre-filled with water at the time of manufacture. Users are therefore instructed not to add water or any liquid by themselves.

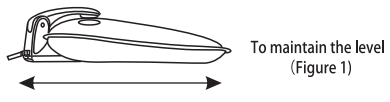
TECHNICAL PARAMETERS

Model Name : Heat-Mate Electric Hot Water Bag (HB 700)
 Rated voltage : 220V - 240V
 Rated power : 360W
 Rated rating : 50Hz - 60Hz
 IEC60335-1, IEC60335-2-17



USAGE INSTRUCTIONS

- Before powering on, first lay the power supply charger flat to the stable surface, and open the power protection cover on the surface of the product. Insert the plug of the power supply into the appliance socket of the electric hot water bag, and then insert the power cord into the mains socket. The indicator light is on, and the electric heating starts. When charging the bag body should be placed flat (see Figure 1). Be sure to fully plug the power supply into the appliance socket.
- After the heating process is finished, the indicator light is off. Please disconnect the plug from the mains socket first, hold the protective cover on the bag body with one hand, hold the power supply head with the other hand, and gently pull it off. It can be used after closing the protective cover (see Figure 2).



PRODUCT FEATURES

- This product is a hydro-electric separation type heating and storage electric hot water bag developed by HealthSense India in strict accordance with the Special Requirements for Safe Thermal Storage Type Electric Hot Water Bag for Household and Similar Electrical Appliances. The product is designed in line with the required safety standards and the use is more assured. The characteristics are as follows:
- The product adopts special hydro-electric separation type double-insulation silica gel heating wire technology, no electricity in water, uniform heating and high thermal efficiency.
 - A selection of eco-friendly fabrics, fresh and stylish, with affinity, soft and comfortable.
 - 360W input power, energy-saving and efficient, rapid temperature rise, 8-15 minutes of power charging, temperature can reach 70°C, and can continue to keep warm for 2 hours (warm hands) to 10 hours (warm bed), the specific holding time is different according to different temperature and usage.
 - Triple explosion-proof protection, safe and reliable. Triple explosion proof protection, namely - intelligent thermostat, mechanical switch for power supply & temperature fuse.
 - With the latest high-strength PVC fabric, it feels more comfortable and lasts longer.
 - It adopts integrated high-frequency hot-press sealing technology, which can withstand the static pressure of 80kg. The tear resistance of the outer material can reach above 12.5N, and there is no sign of leakage.
 - Product safety meets the standards of the International Electrotechnical Commission

MAINTENANCE

- The power plug must be unplugged before doing external cleaning work.
- After removing the dirt on the surface of the product, wipe it off with a clean, soft cloth dampened with a little detergent.
- After cleaning, put the parts back into the packing box in terms of the original sequence, and store them in a dry and ventilated place.

SYMBOL DESCRIPTION

- : Double insulation mark
- ⊗ : Prohibit soaking mark
- 🏠 : Use inside the house mark

PRECAUTIONS

- Infants and children, disabled & those who lack relevant experience and knowledge cannot use this product alone. If you need it, please use it under the guidance of qualified personnel to ensure safety.
- This product is not a toy, please ensure that infants and young children are supervised when using it.
- This product should not be used by children unless the parent or guardian has set it up in advance or gives adequate guidance to the child about how to use it.
- It must be used with the matching connector (power supply). It is forbidden to use other power cord instead of the matching connector (power supply).
- Do not place directly on the power outlet.
- Please do not use this device outdoors. Please check whether the voltage of the power supply is consistent with the product voltage before use.
- To be protected from electric shock, do not put the power supply, power cord, plug and water bag into water or other liquid.
- It is forbidden to dry burning. Please always check the appliance for signs of wear or damage & do not use it if you have such an indication.
- Do not use when the power supply is connected, and do not charge the appliance when the socket of the bag is downwards.
- To ensure safety, unplug the power cord after heating process is done.
- Do not place any stuff on the appliance during power up & storage.
- Allow the appliance to cool down to room temperature before storing the appliance.
- Do not rinse with water. Do not scrub with gasoline, toluene or other strong solvents.
- The appliance should not touch sharp or pointed objects. Do not force or beat it.
- If the power cord is damaged, in order to avoid the hazard, it must be replaced by a professional from the manufacturer, its service department, or similar department.
- In the event of product failure, please contact the dealer or our company in time, please do not disassemble and repair, try to decompose or change the structure of the product, so as to avoid unnecessary failure and danger.
- Do not use this appliance around bathtubs, spray heads or swimming pools.
- Keep the water bag out of reach of children while charging electricity.
- Do not touch the skin directly for a long time during use to avoid burns.
- It must be laid flat when being charged, otherwise it will burn out the bag.
- Appliances should not be used to warm animals.
- When the appliance is used to warm the feet, the shoes worn outdoors must be taken off.
- It is normal to have a slight plastic smell and a liquid boiling sound when heated.
- The user cannot perform water injection, exhaust and drainage operations on this product.
- Check the appliance for signs of wear or tear. Do not use if there are signs of it.