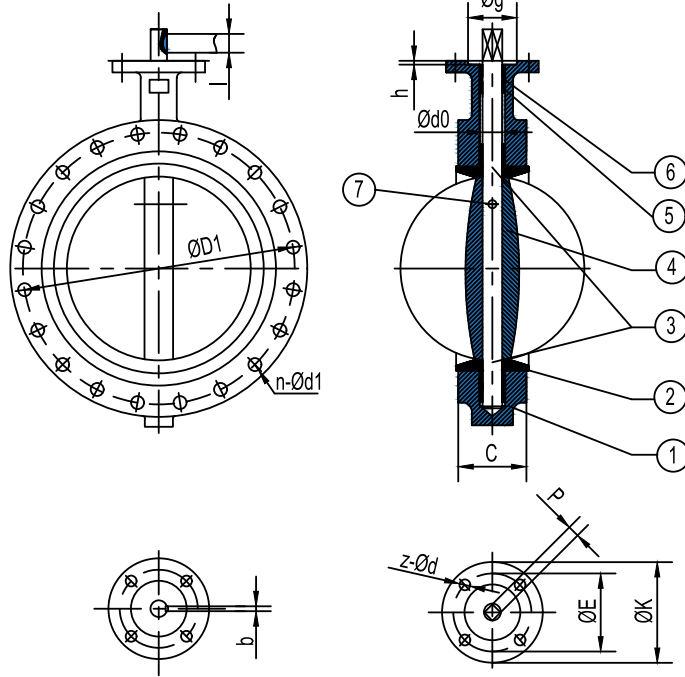




## U-Type Butterfly Valve



- **Type:**  
Wafer
- **Face to Face:**  
API609,BS5155,DIN3202,IS05752
- **Flange:**  
DIN,BS,UNI,ISO, ANSI, AS,JIS
- **Mounting Flange:**  
ISO5211
- **Working Pressure:**  
PN16(200PSI)
- **Application:**  
HVAC,Water Supply&Sewage,  
Food&Beverage,Chemical/  
petrochemical/processing,  
Power and Utilities,Paper  
and Pulp,Ship Building.

### STANDARD MATERIALS OF MAIN PARTS

ITEM	PART NAME	MATERIAL
1	Body	CI/DI/CS/SS
2	Seat	EPDM/PTFE/ITON/NBR/Hypalo
3	Shaft	nSS416/316/304
4	Disc	CF8/CF8M/DI+Ni
5	Pin	SS304/SS316
6	Bushing	PTFE/Bronze
7	O Ring	NBR/EPDM

### DIMENSIONS:(mm)

SIZE		C	d0	K	E	z-d	g	h	p	bXl	PN16			PN10			ANSI 150		
in	DN										D1	n-Ød1	4-M	D1	n-Ød1	4-M	D1	n-Ød1	4-M
2	50	42	12.6	77	50	4-7	35	3	9	3X16	125	4-18		125	4-18		120.5	4-19	
2.5	65	44.7	12.6	77	50	4-7	35	3	9	3X16	145	4-18		145	4-18		139.5	4-19	
3	80	45.2	12.6	77	50	4-7	35	3	9	3X16	160	8-18		160	8-18		152.5	4-19	
4	100	52.1	15.77	90	70	4-9	55	3	11	5X19	180	8-18		180	8-18		190.5	8-19	
5	125	54.4	18.92	90	70	4-9	55	3	14	5X19	210	8-18		210	8-18		216	8-22	
6	150	55.8	18.92	90	70	4-9	55	3	14	5X19	240	8-23		240	8-23		241.5	8-22	
8	200	60.6	22.1	125	102	4-12	70	3.5	17	5X19	295	12-23		295	8-23		298.5	8-22	
10	250	65.6	28.45	125	102	4-12	70	3.5	22	8X28	355	12-27		350	12-23		362	12-25	
12	300	76.9	31.6	125	102	4-12	70	3.5	22	8X28	410	12-27		400	12-23		432	12-25	
14	350	76.5	31.6	125	102	4-12	70	3.5	22	8X28	470	16-27		460	16-23		476	12-29	
16	400	86.5	33.15	175	140	4-18	100	4	24	10X50	525	16-30		515	16-27		540	16-29	
18	450	105.6	38	175	140	4-18	100	4	27	10X50	585	20-30		565	20-27		578	16-32	
20	500	127	41.15	175	140	4-18	100	4	32	10X50	650	20-33		620	20-27		635	20-32	
24	600	152	50.65	210	165	4-23	130	5	36	2-16X60	770	24-36		725	20-30		749.5	20-35	
28	700	163	55	300	254	8-18	200	5.5		2-18X63	840	24-36	4-M33	840	24-30	4-M27	863.5	28-35	4-11/4"
30	750	165	55	300	254	8-18	200	5.5		2-18X63	914	24-39		914	24-33		914.5	28-35	4-11/4"
32	800	188	55	300	254	8-18	200	5.5		2-18X63	950	24-39	4-M36	950	24-33	4-M30	978	28-41	4-11/2"
36	900	203	75	300	254	8-18	200	5.5		2-20X100	1050	28-39	4-M36	1050	28-33	4-M30	1086	32-41	4-11/2"
40	1000	216	85	300	254	8-18	200	5.5		2-20X100	1170	28-42	4-M39	1160	28-36	4-M33	1200	36-41	4-11/2"
42	1050	251	95	300	254	8-18	200	5.5		2-25X140	1257	32-44		1257	32-37		1257.5	36-41	4-11/2"
48	1200	276	105	350	298	8-23	230	5.5		2-28X140	1390	32-50	4-M45	1380	32-41	4-M36	1422.5	40-41	4-11/2"