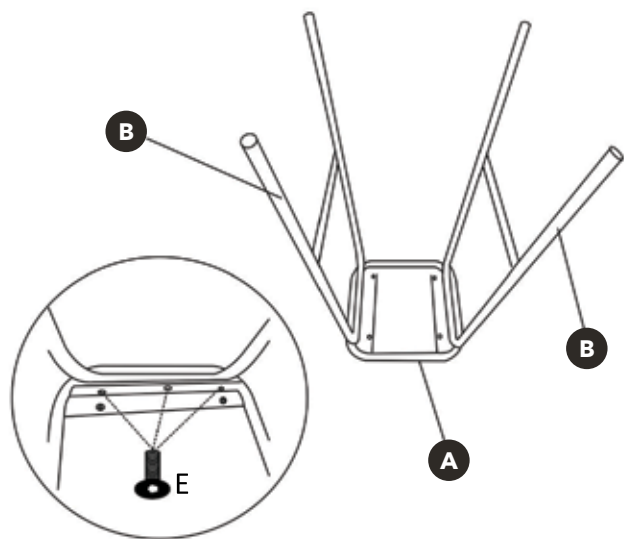
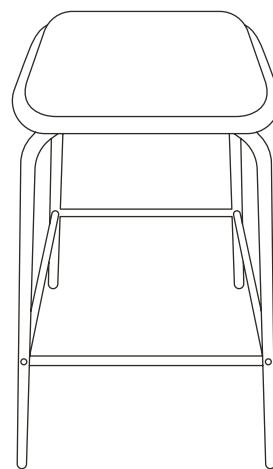


step 1 ATTACHING LEGS TO SEAT



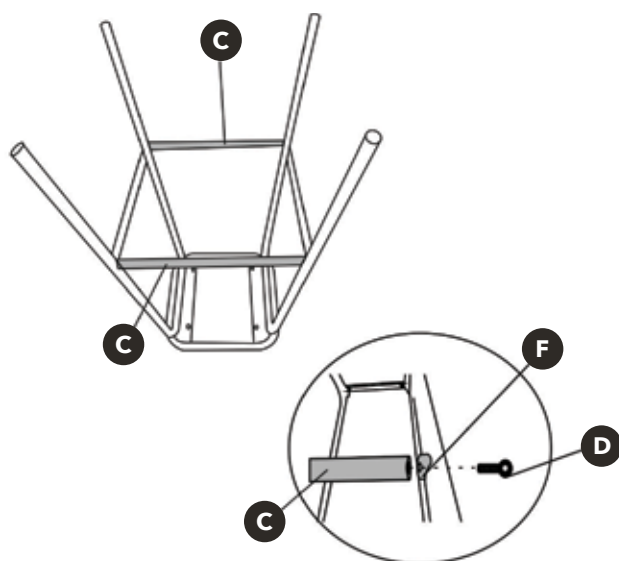
Attach both legs to the underside of the seat by using 14mm screws (E), but do not tighten.

step 3 CHECKING STABILITY



Place the stool on level ground and then check if it is stable. If not, please adjust metal legs until it is stable. Once stable, tighten all screws.

step 2 ATTACHING FOOT RAIL



Attach the foot rail to the legs by using screws (D) and levelers (F).