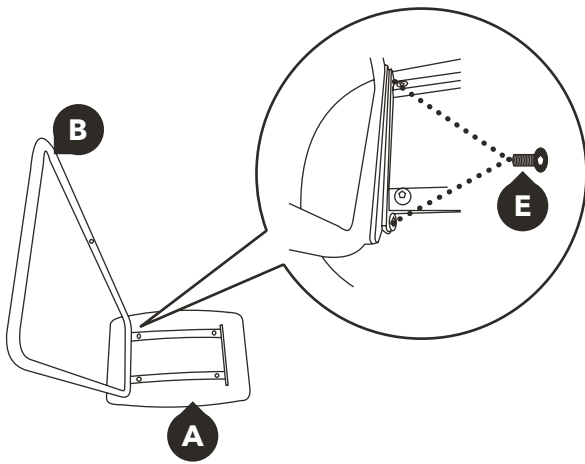
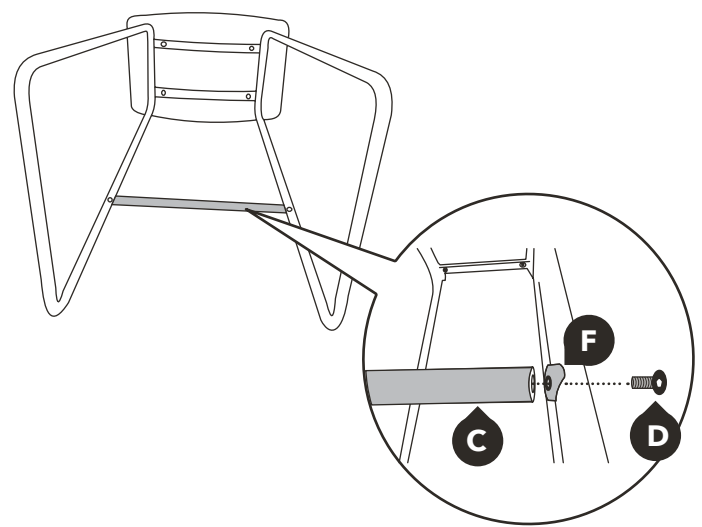


step 1 ATTACHING LEFT LEG TO SEAT



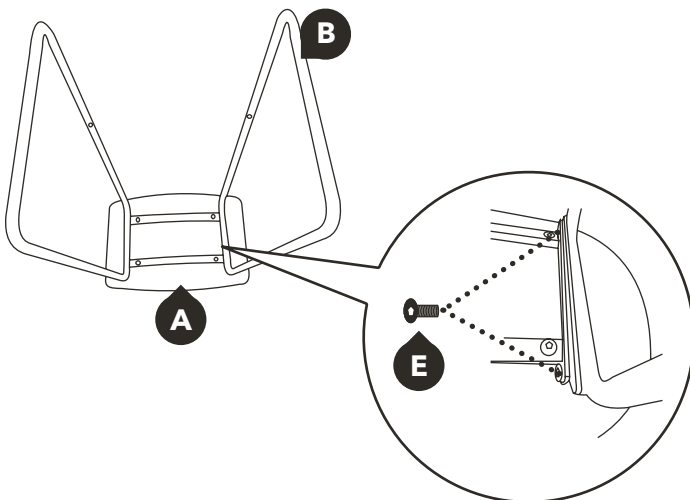
Attach left leg to underside of seat by using 14mm screw (E) but do not tighten.

step 3 ATTACHING FOOT RAIL



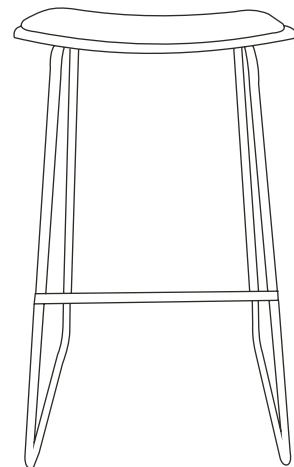
Attach the foot rail to the legs by using 35mm screw (D) but do not tighten.

step 2 ATTACHING RIGHT LEG TO SEAT



Attach right leg to underside of seat by using 14mm screw (E) but do not tighten.

step 4 CHECKING STABILITY



Place the stool on level ground and then check if it is stable. If not, please adjust metal legs until it is stable. Once stable, tighten all screws.