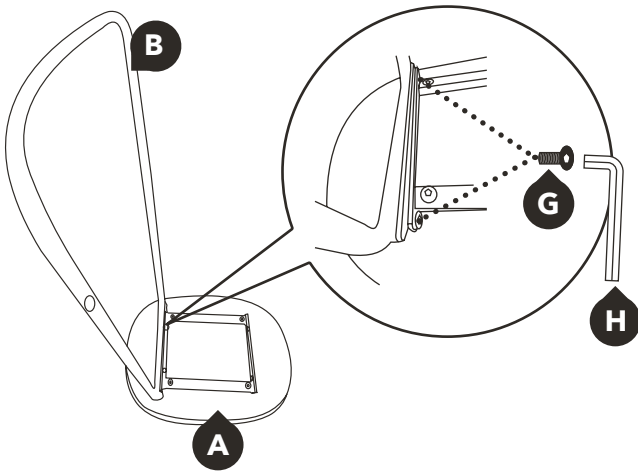


step 1

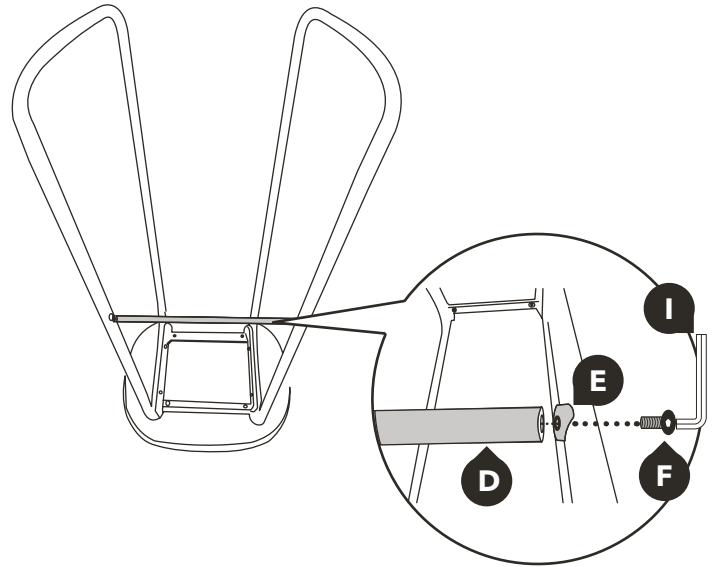
ATTACHING LEFT LEG TO SEAT



Attach left leg to underside of seat by using (Gx2) screws but do not tighten.

step 3

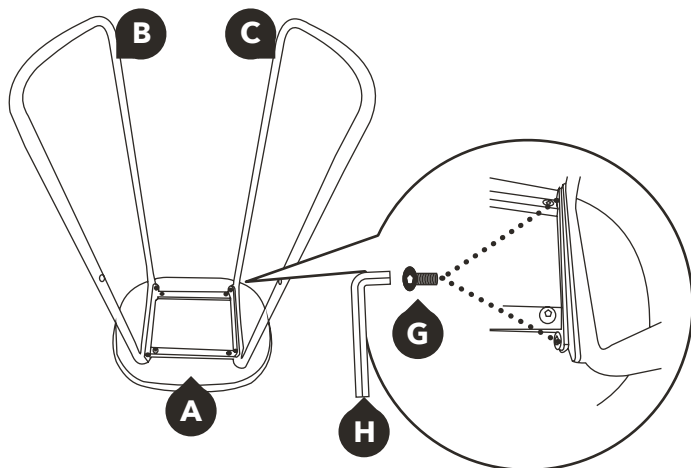
ATTACHING FOOT RAIL



Attach the foot rail to the legs by using (F) screws and (E) nuts but not tighten.

step 2

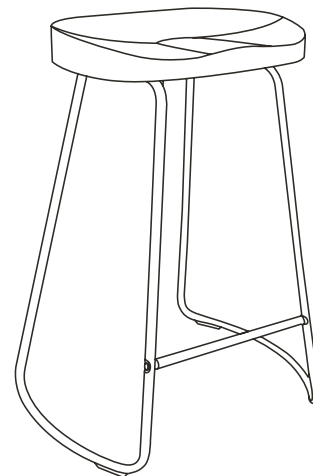
ATTACHING RIGHT LEG TO SEAT



Attach right leg to underside of seat by using (Gx2) screws but do not tighten.

step 4

CHECKING STABILITY



Place the stool on level ground and then check if it is stable. If not, please adjust metal legs until it is stable. Once stable, tighten all screws.