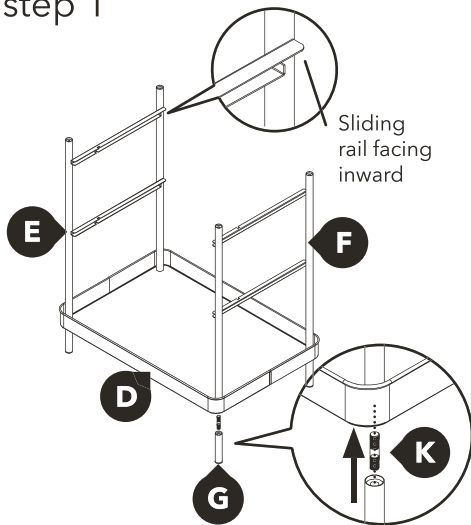
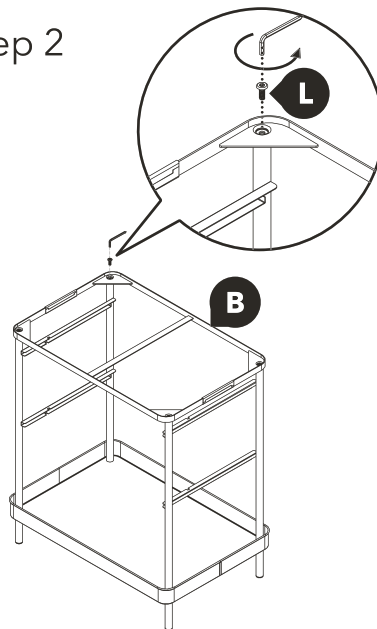


### step 1



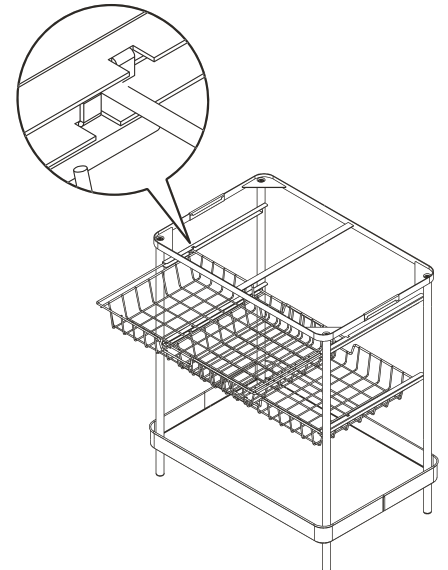
Use the double ended bolts to secure the legs to the left and right ends through the base tray. Ensure that the sliding rails are facing inwards.

### step 2



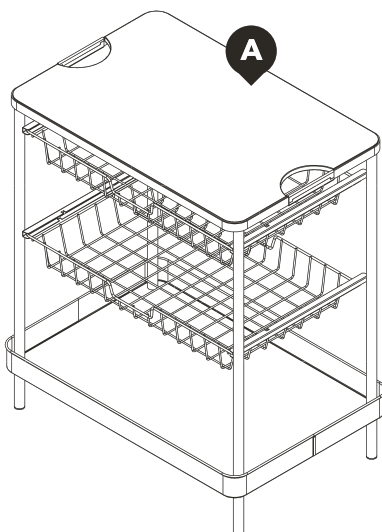
Use the hex key provided to secure the top frame to the left and right ends using the hex bolts.

### step 3



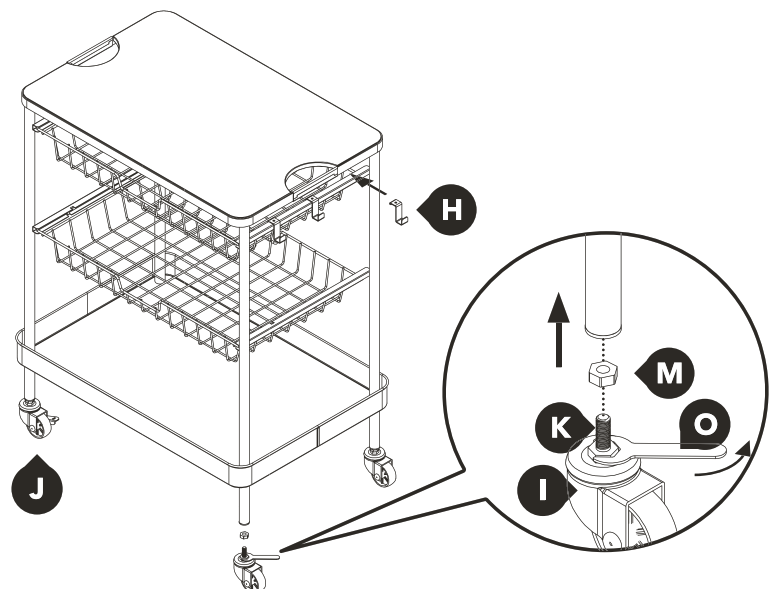
Insert the wire basket.

### step 4



Place the timber bench top on top.

### step 5



Screw the nuts (M) onto the threaded shaft of each wheel, then screw the wheels into the bottom of the left and right ends. Use the spanner provided to tighten. Ensure the two braking wheels are both attached to the same end. Hang the utensil hooks onto the frame to complete the assembly.