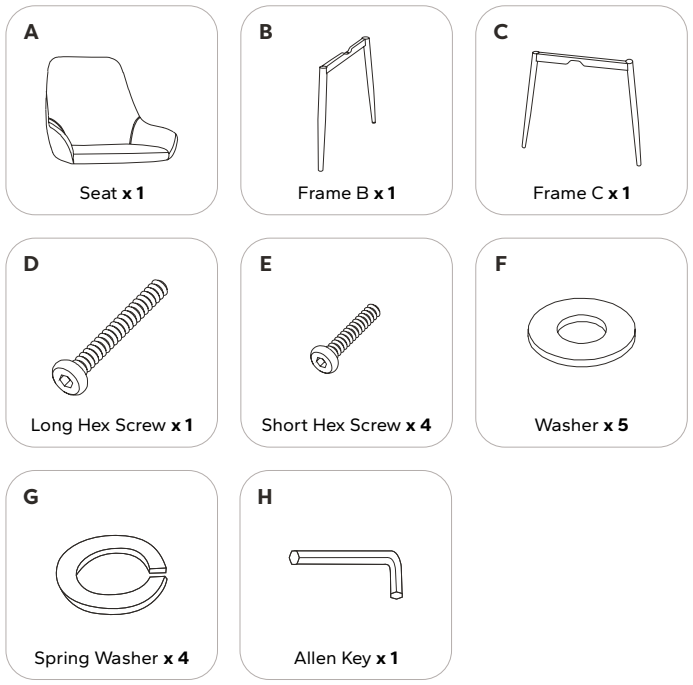


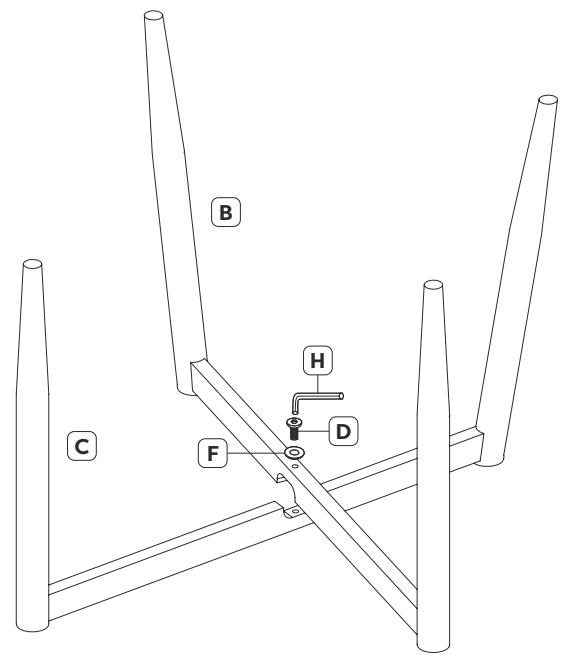


STEP 1



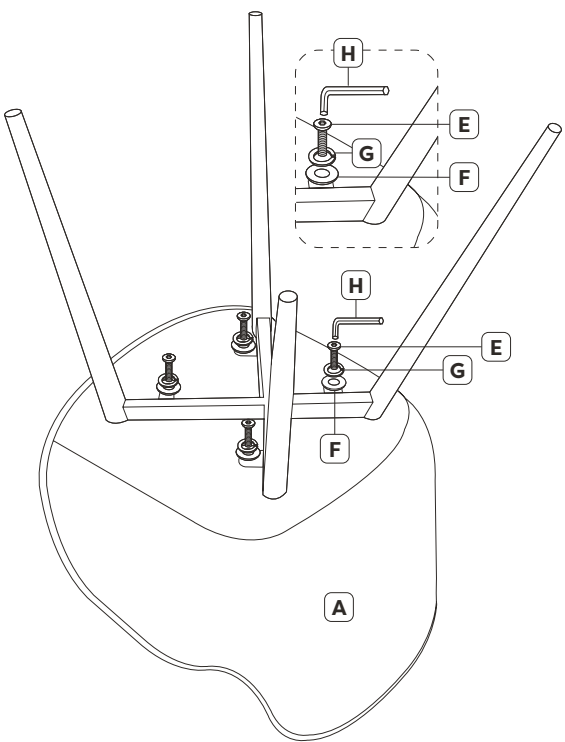
Check included hardware and chair components.

STEP 2



Attach frame (C) to frame (B) using 1x long hex screw (D) and 1x washer (F). Tighten using the allen key (H).

STEP 3



Attach Seat (A) to frame assembly using 4x short hex screws (E), 4x spring washers (G) and 4x washers (F). Tighten using the allen key (H).

STEP 4



Assembly complete.