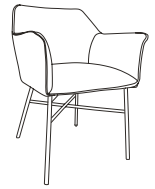
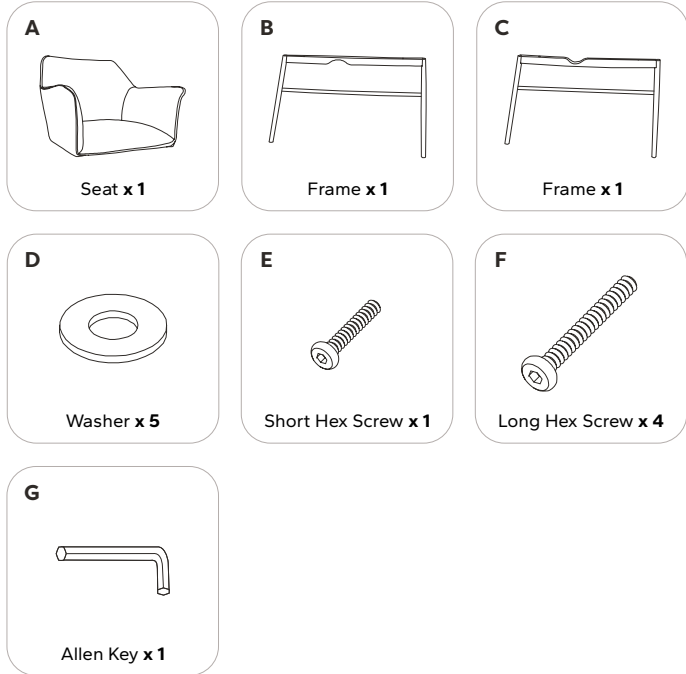


# NEWBRY DINING CHAIR

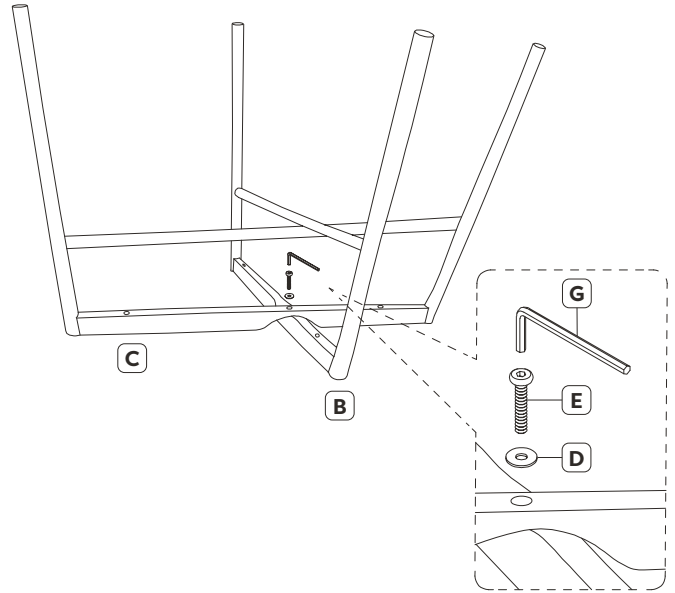


## STEP 1



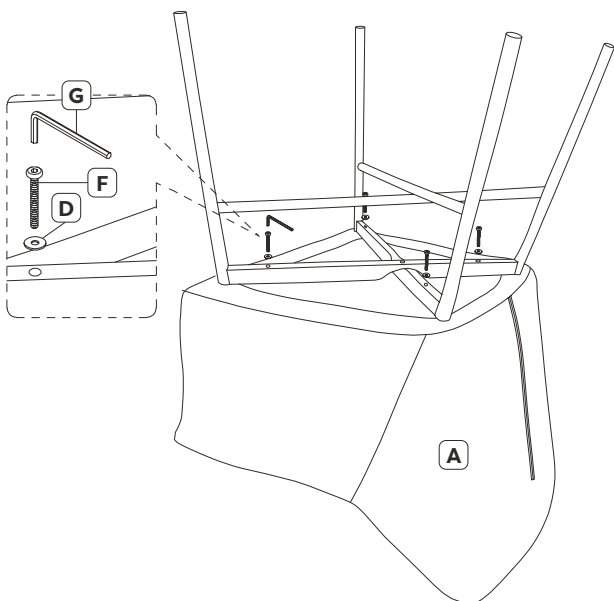
Check included hardware and chair components.

## STEP 2



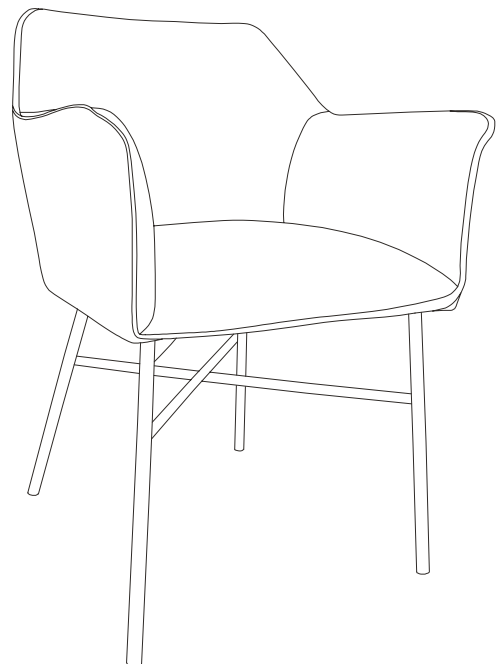
Attach frame (B) to frame (C) using 1x short hex screw (E) and 1x washer (D). Tighten using the allen key (G).

## STEP 3



Attach Seat (A) to frame assembly using 4x long hex screws (F) and 4x washers (D). Tighten using the Allen Key (H).

## STEP 4



Assembly complete.