

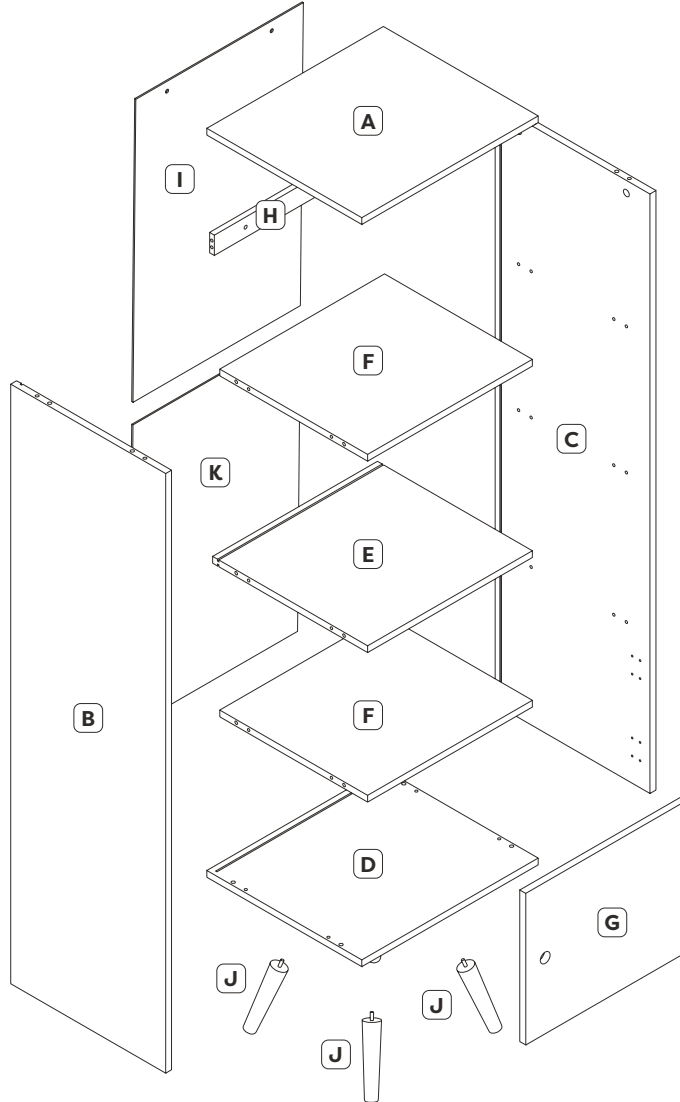
STEP 1

You will need:

Phillips Head Screwdriver

Parts list:

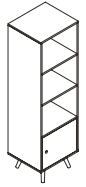
- A** Top Panel
- B** Side Panel Left
- C** Side Panel Right
- D** Bottom Panel
- E** Middle Shelf Panel
- F** Shelf Panel x 2
- G** Door Panel
- H** Back Brace
- I** Top Back Panel
- J** Leg x 4
- K** Bottom Back Panel



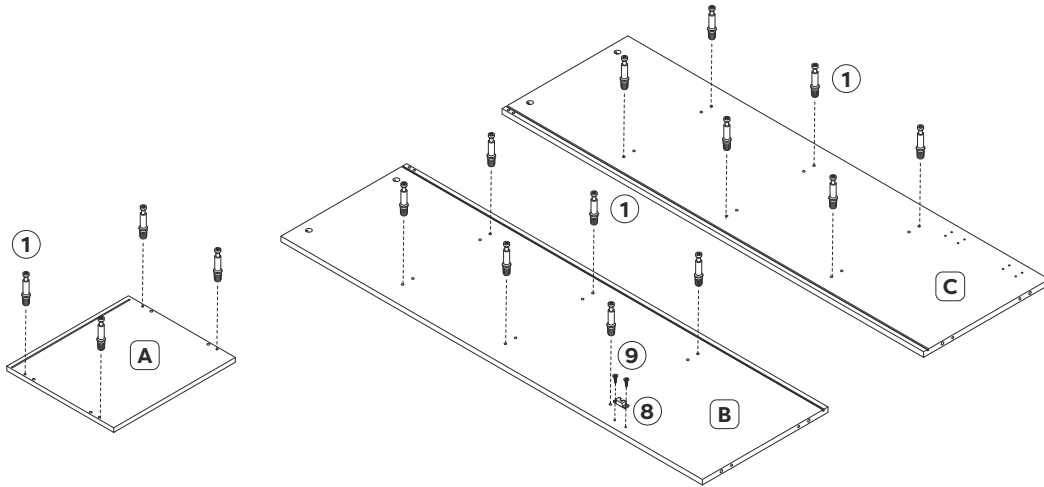
Hardware pack:

<p>1</p> <p>Cam Bolt x 16</p>	<p>2</p> <p>Cam Nut x 16</p>	<p>3</p> <p>Thin Wood Dowel x 4</p>	<p>4</p> <p>Medium Wood Dowel x 20</p>	<p>5</p> <p>Long Flat Screw x 6</p>	<p>6</p> <p>Short Flat Screw x 12</p>
<p>7</p> <p>Hinge x 2</p>	<p>8</p> <p>Door Stop x1</p>	<p>9</p> <p>Small Flat Screw x 2</p>	<p>10</p> <p>Wall Plug x 2</p>	<p>11</p> <p>Leg Mount Plate x 4</p>	<p>12</p> <p>Pan Head Screw x 20</p>

Check included hardware.

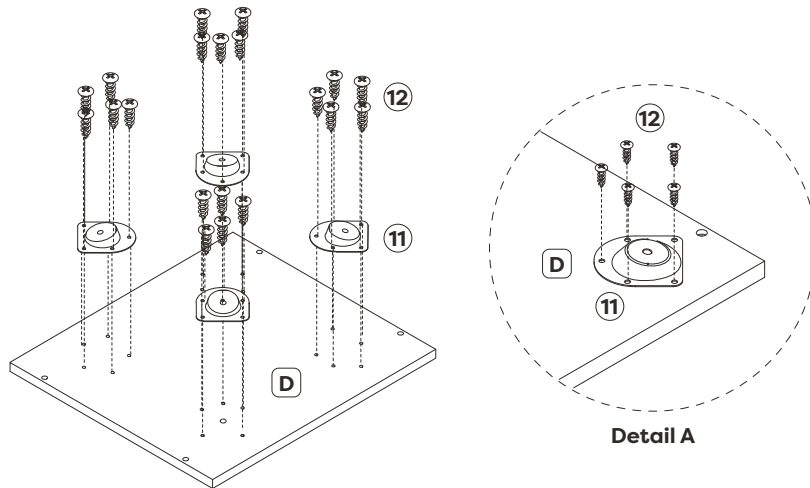


STEP 2



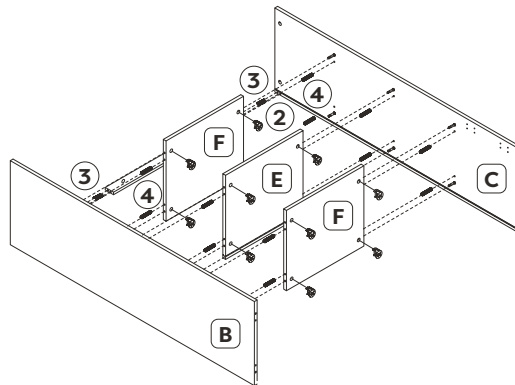
Insert cam bolts (1) into pre-drilled holes of side panels (B and C) and top panel (A) as shown. Attach door stop (8) to side panel left (B) using small flat screws (9).

STEP 3

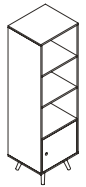


Attach 4x leg mount plates (11) to bottom panel (D) using pan head screws (12).

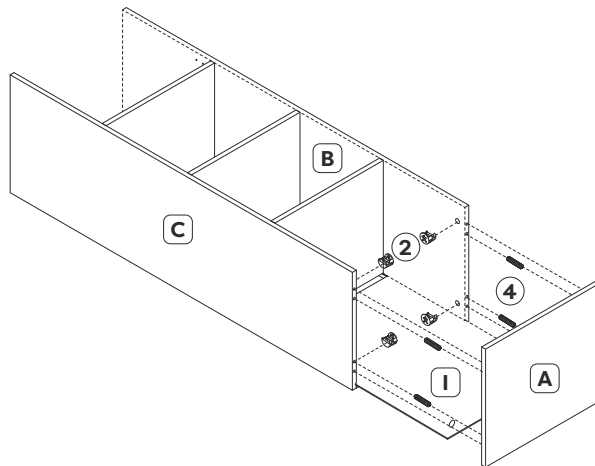
STEP 4



Insert medium wood dowels (4) to pre-drilled holes in middle shelf panel (E) and 2x shelf panels (F). Insert thin wood dowels (3) to pre-drilled holes in back brace (H). Align 1x shelf panel (F) to the cam bolts in side panel left (B) and push into position. Insert cam nuts (2) into the pre-drilled holes in shelf panel (F), ensuring the arrow points towards side panel left (B). Tighten using a phillips head screwdriver. Repeat this process to fix the other shelf panel (F) and middle shelf panel (E). Align dowels in top brace (H) to pre-drilled holes in side panel left (B) and slide into position. Align side panel right (C) to dowels in the assembly and slide into position. Insert cam nuts (2) into the Pre-drilled holes in shelf panels (F and E) with arrows pointing towards side panel right (C) and tighten with a phillips head screwdriver.

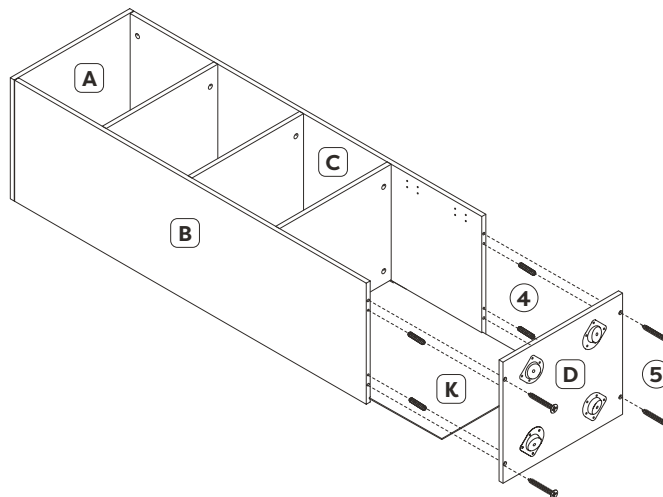


STEP 5



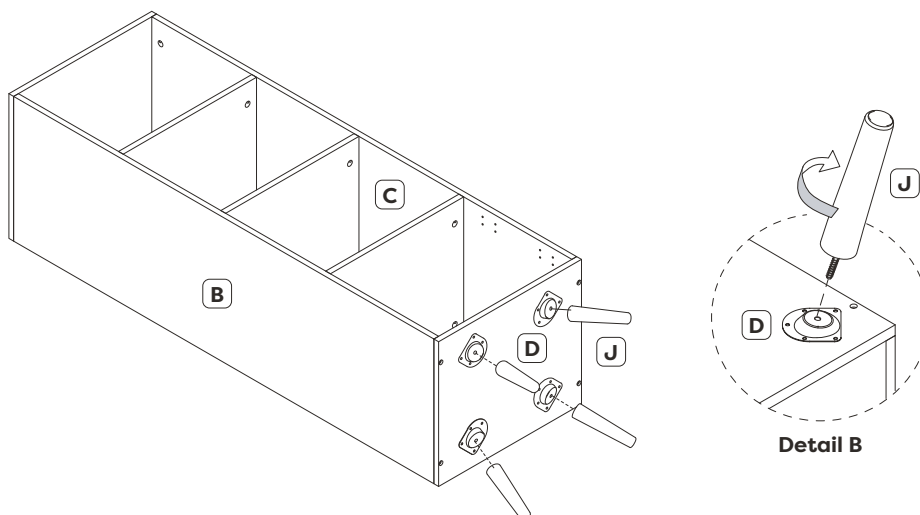
Slide top back panel (I) into the grooves in side panels (B and C) and middle shelf panel (E). Insert medium wood dowels (4) into pre-drilled holes in side panels (B and C), align top panel, and slide into position. Insert cam nuts (2) into pre-drilled holes in side panels (B and C), ensuring arrows point towards top panel (S). Tighten using a phillips head screwdriver.

STEP 6

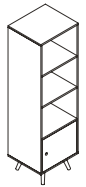


Slide bottom back panel (K) into the grooves in side panels (B and C) and middle shelf panel (E). Insert medium wood dowels (4) into pre-drilled holes in side panels (B and C), align bottom panel (D), and slide into position. Fix bottom panel (D) using long flat screws (5).

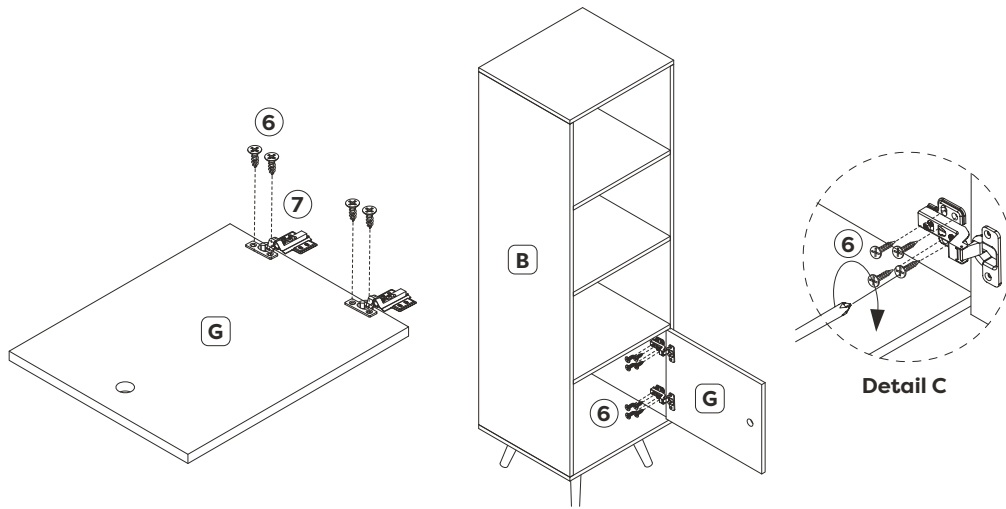
STEP 7



Attach legs (J) to bottom panel (D) by screwing into leg mount brackets (11) previously fixed to the bottom panel (D).

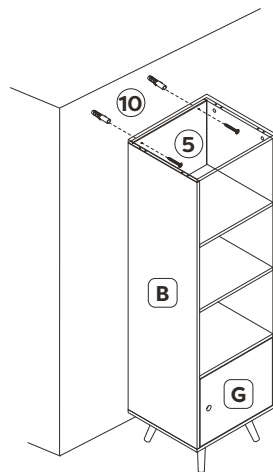


STEP 8



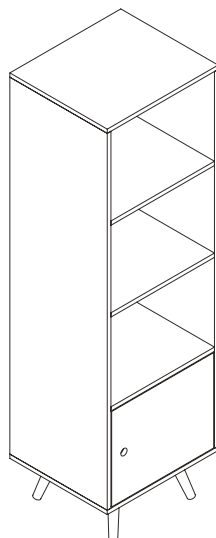
Attach door hinges (7) to door panel (G) using short flat screws (6). Fix door panel and hinges To the assembly using short flat screws (6), per detail C.

STEP 9



Move the assembled unit to its final position, and fasten into wall using wall plugs (10) and long flat screws (5) provided, or other suitable hardware to securely fix the unit to your wall. Seek advice from a qualified trades person on how to secure the unit to your specific wall. **We strongly advise that you secure the unit to a wall to prevent the unit from toppling.**

STEP 10



Assembly complete.