

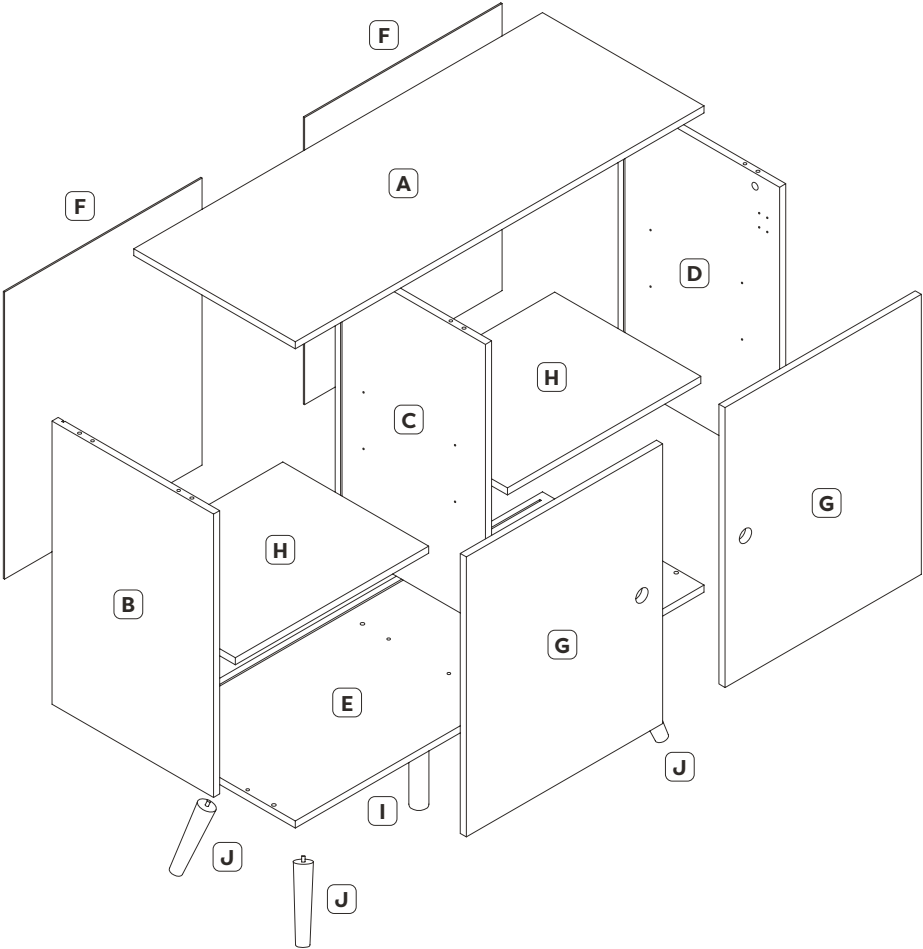
STEP 1

You will need:

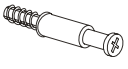


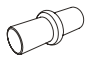



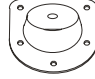

Phillips Head Screwdriver

Parts list:

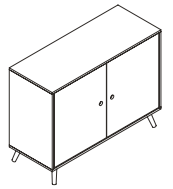
- A** Top Panel
- B** Side Panel Left
- C** Centre Panel
- D** Side Panel Right
- E** Bottom Panel
- F** Back Panel x 2
- G** Door Panel x 2
- H** Adjustable Shelf Panel x 2
- I** Central Leg
- J** Angled Legs x 4



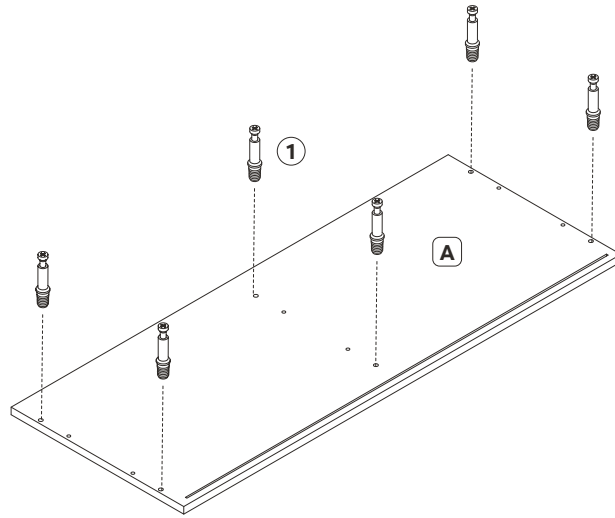
Hardware pack:

<p>1</p>  <p>Cam Bolt x 6</p>	<p>2</p>  <p>Cam Nut x 6</p>	<p>3</p>  <p>Wood Dowel x 12</p>	<p>4</p>  <p>Adjustable Shelf Mount x 8</p>	<p>5</p>  <p>Long Flat Screw x 7</p>	<p>6</p>  <p>Short Flat Screw x 24</p>
<p>7</p>  <p>Hinge x 4</p>	<p>8</p>  <p>Leg Mount Plate x 4</p>	<p>9</p>  <p>Medium Dome Screw x 20</p>			

Check included hardware.

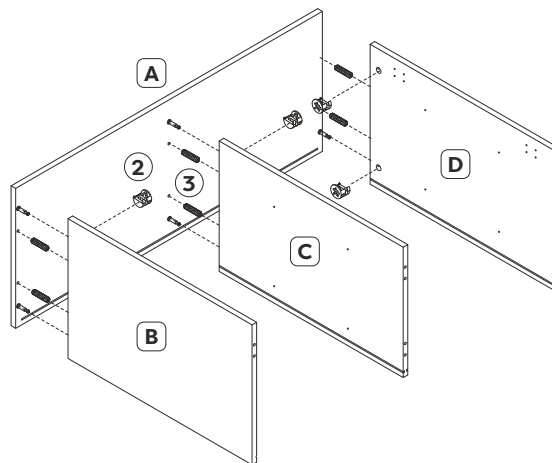


STEP 2



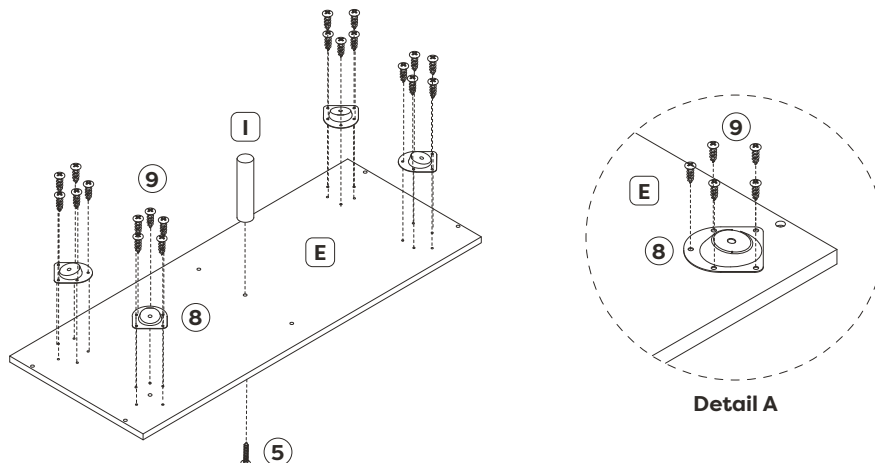
Screw cam bolts (1) into pre-drilled holes in top panel (A) as shown.

STEP 3

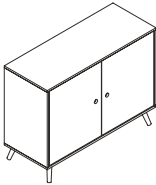


Insert wood dowels (3) into the pre-drilled holes in centre panel (C) and side panels (B and D). Align cam bolts and wood dowels with pre-drilled holes and place top panel (A) in position. Insert cam nuts (2) as shown, with arrows pointing towards the top panel, then tighten cam nuts (2) using a phillips head screwdriver.

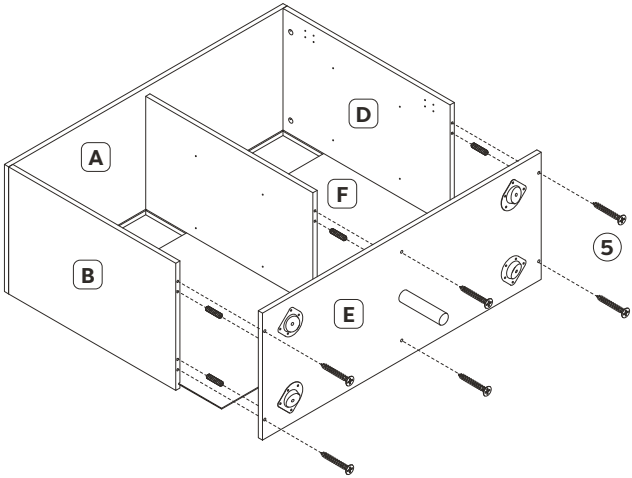
STEP 4



Fix 4x leg mount brackets (8) to bottom panel (E) using small dome screws (9) per detail A. Attach central leg (I) to bottom panel (E) using a long flat screw (5).

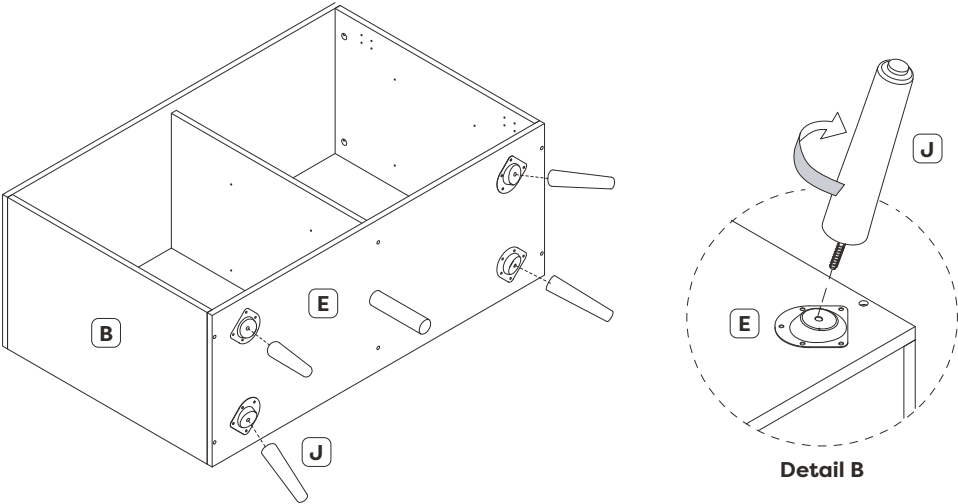


STEP 5



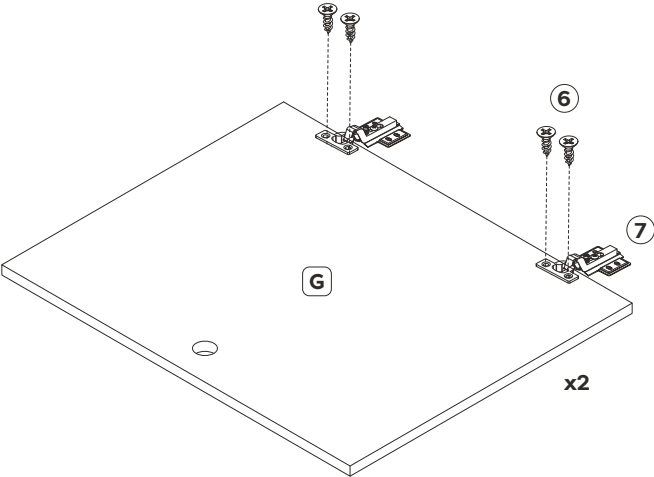
Slide back panels (F) into grooves in centre panel (C), side panels (B and D) and top panel (A). Insert wood dowels (3) into centre panel (C) and side panels (B and D), then fix bottom panel (E) to assembly using long flat screws (5).

STEP 6

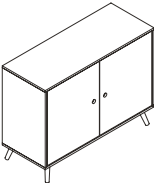


Attach angled legs (J) to bottom panel (E) by screwing into leg mount brackets (4) previously attached to the bottom panel.

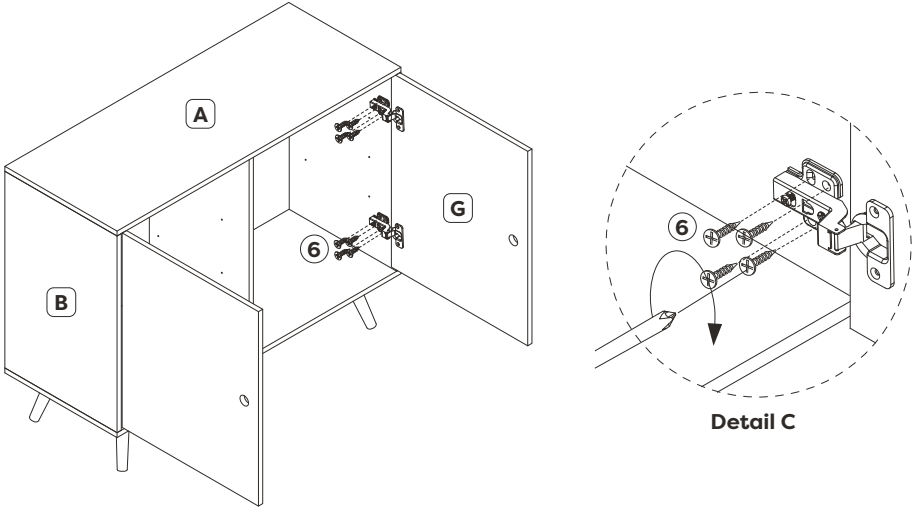
STEP 7



Attach 2x hinges (6) to each door panel (G) using short flat screws (7).

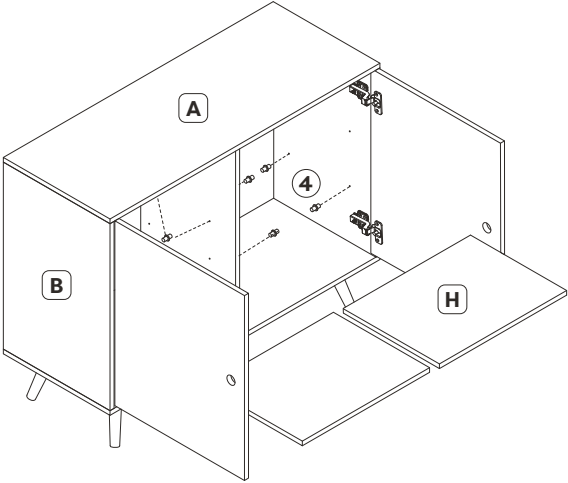


STEP 8



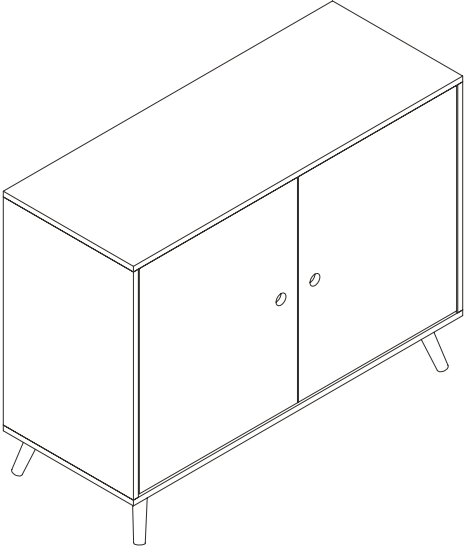
Attach door panels (G) to the assembly using 4x short flat screws (6) per hinge.

STEP 9



Insert adjustable shelf mounts (4) to the desired pre-drilled holes in centre panel (C) and side panels (B and D), then slide adjustable shelf panels (H) into position.

STEP 10



Assembly complete.