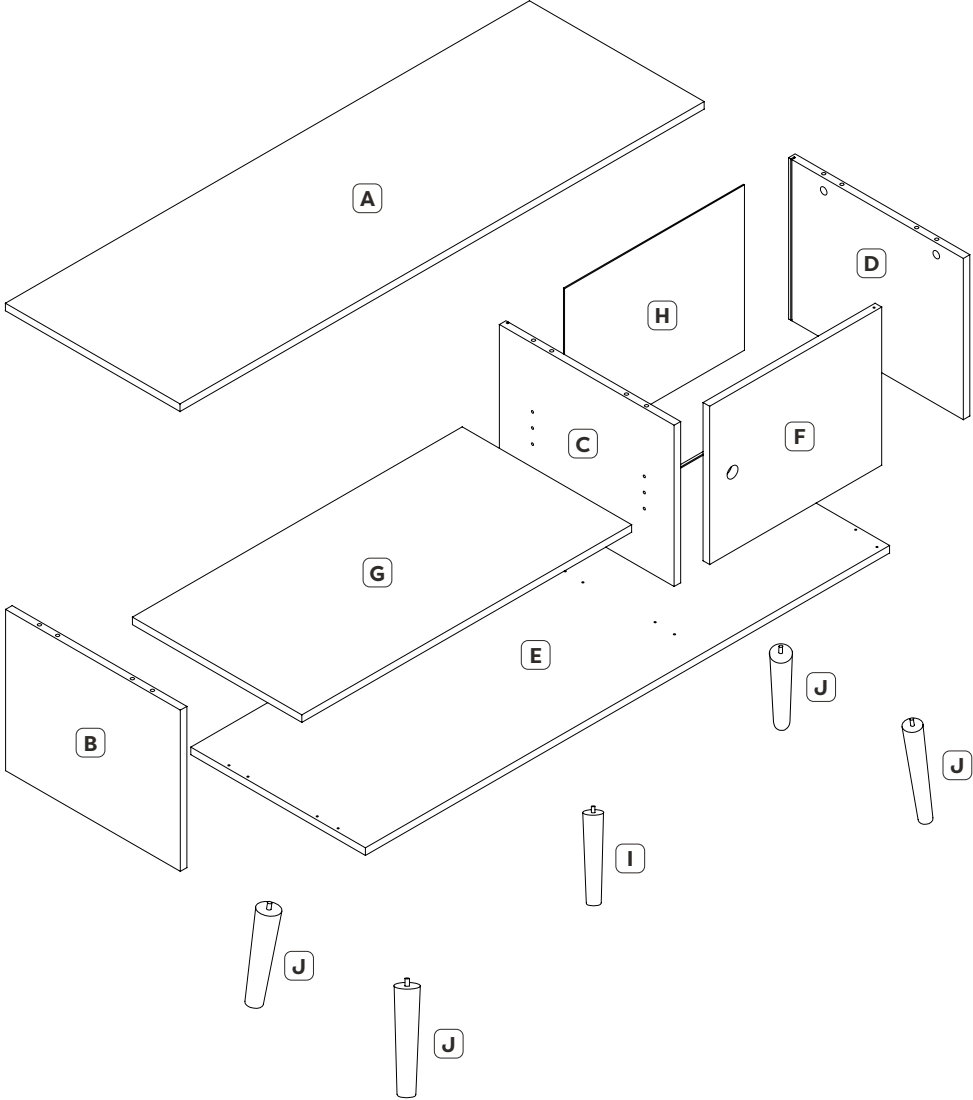


**STEP 1**

**You will need:**  
Phillips Head Screwdriver



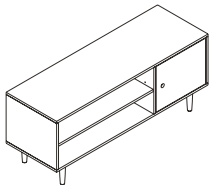
**Parts list:**

- A** Top Panel
- B** Side Panel Left
- C** Centre Panel
- D** Side Panel Right
- E** Bottom Panel
- F** Door Panel
- G** Adjustable Shelf Panel
- H** Back Panel
- I** Central Leg
- J** Angled Legs x 4

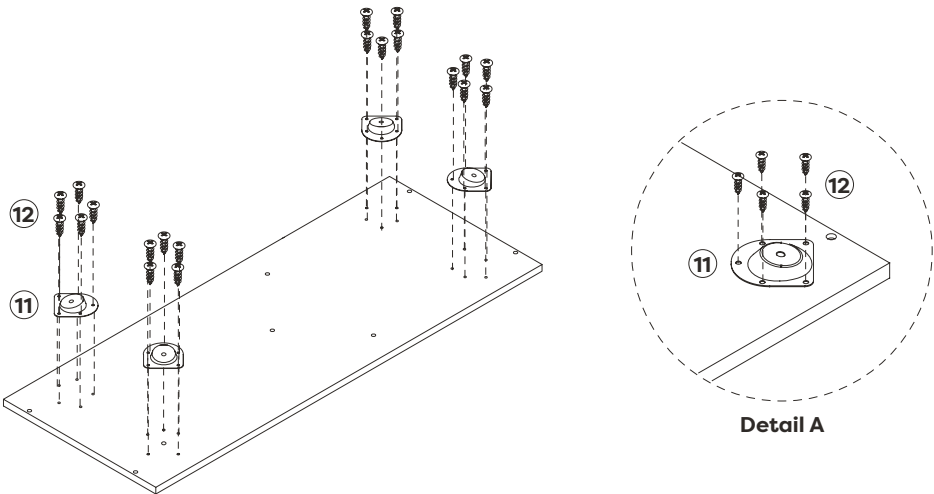
**Hardware pack:**

<p><b>1</b></p> <p>Wood Dowel x 12</p>	<p><b>2</b></p> <p>Long Flat Screw x 6</p>	<p><b>3</b></p> <p>Cam Bolt x 6</p>	<p><b>4</b></p> <p>Cam Nut x 6</p>	<p><b>5</b></p> <p>Short Flat Screw x 5</p>	<p><b>6</b></p> <p>Hinge x 2</p>
<p><b>7</b></p> <p>Magnet Strip x 1</p>	<p><b>8</b></p> <p>Magnet Plate x 1</p>	<p><b>9</b></p> <p>Adjustable Shelf Mount x 4</p>	<p><b>10</b></p> <p>Medium Dome Screw x 2</p>	<p><b>11</b></p> <p>Leg Mount Bracket x 4</p>	<p><b>12</b></p> <p>Small Dome Screw x 20</p>

Check included hardware.

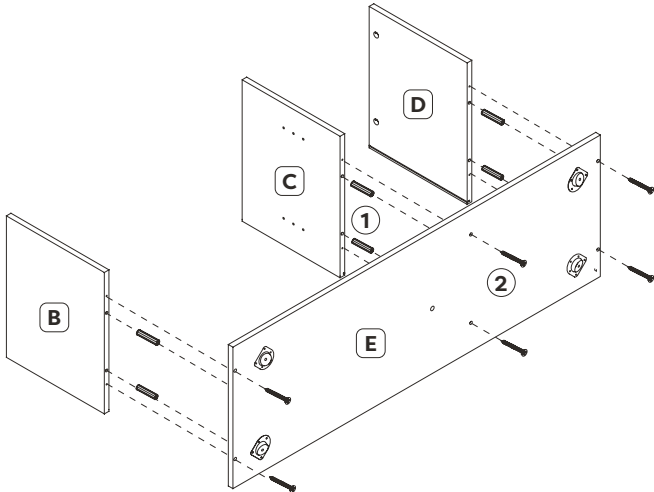


**STEP 2**



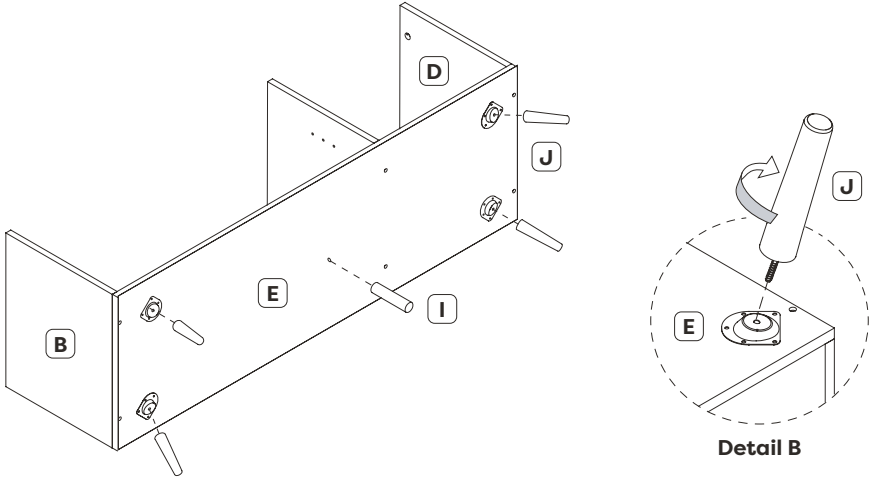
Fix 4x leg mount brackets (11) to bottom panel (E) using small dome screws (12) per detail A.

**STEP 3**

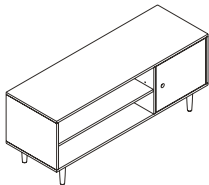


Insert wood dowels (1) to centre panel (C), side panels (B and D), then attach to bottom panel (E) using long flat screws (2).

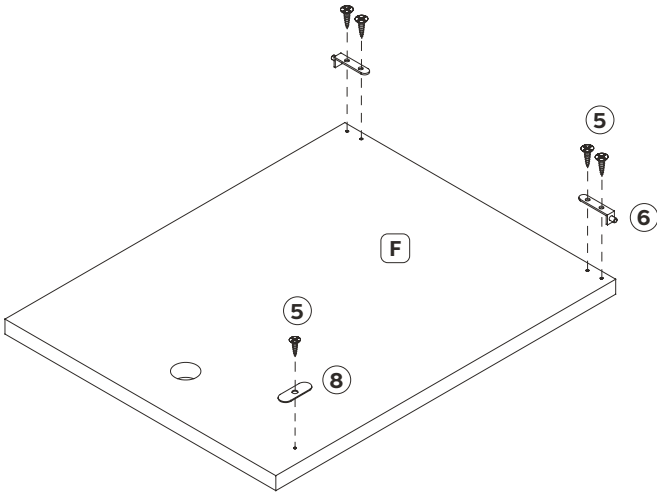
**STEP 4**



Attach angled legs (J) to bottom panel (E) by screwing into leg mount brackets (11) previously attached to the bottom panel. Attach central leg (I) to bottom panel (E) by screwing into the pre-drilled hole. Please ensure central leg is not over-tightened as this may damage the unit.

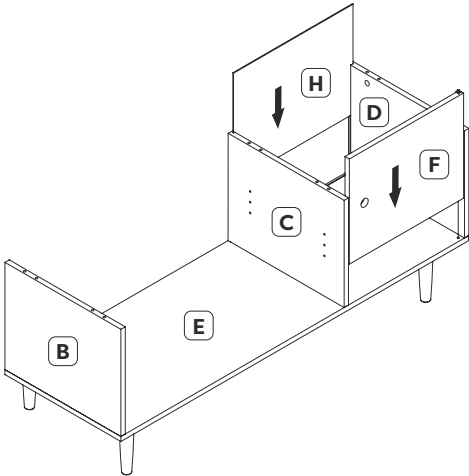


**STEP 5**



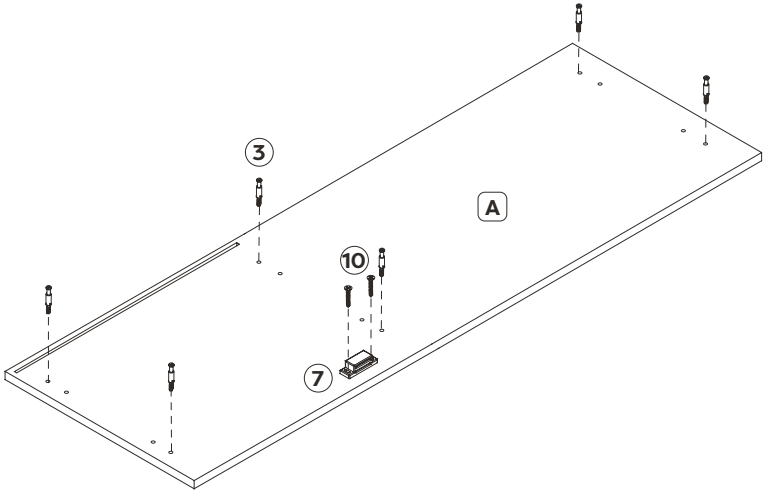
Attach 2x hinges (6) to door panel (F) using short flat screws (5). Attach magnet plate (8) to door panel (F) using a short flat screw (5).

**STEP 6**

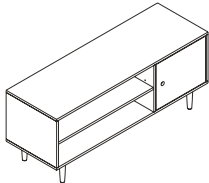


Slide back panel (H) into grooves in centre panel (C), side panel right (D) and bottom panel (E). Slide door panel (F) into position, ensuring the bottom hinge (6) slides into pre-drilled hole in bottom panel (E).

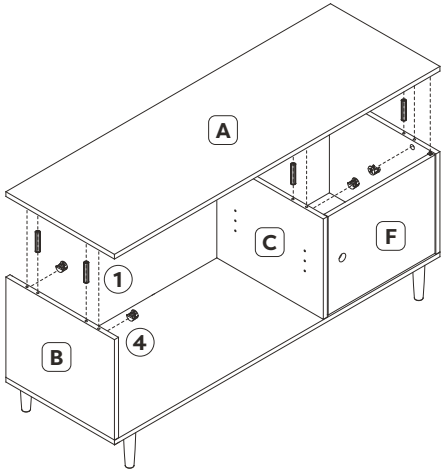
**STEP 7**



Screw cam bolts (3) into pre-drilled holes in top panel (A) as shown. Attach magnet strip (7) to top panel (A) using medium dome screws (10).

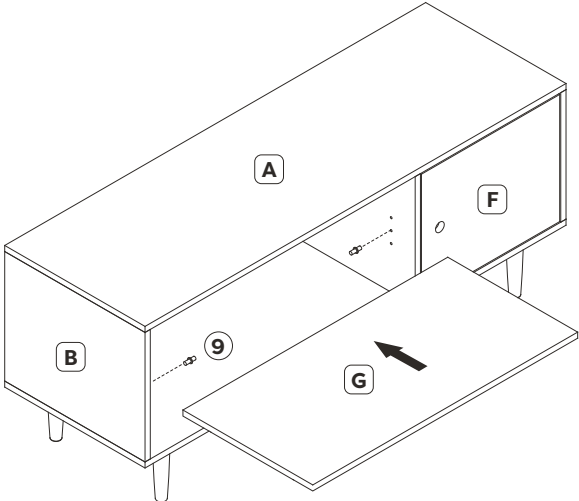


**STEP 8**



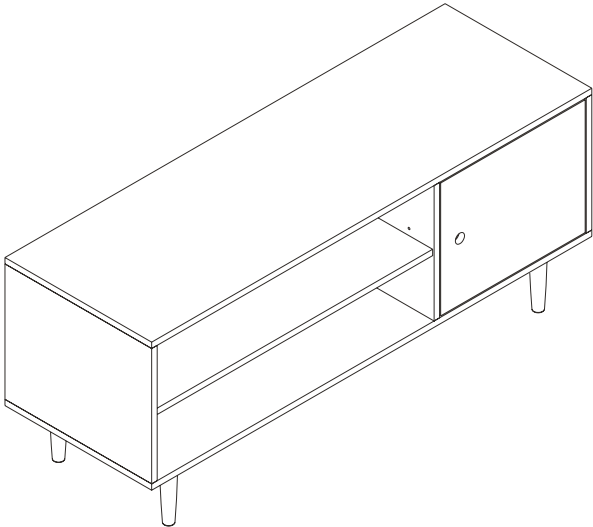
Insert wood dowels (1) into the pre-drilled holes in centre panel (C) and side panels (B and D).  
Align cam bolts and wood dowels with pre-drilled holes and place top panel (A) in position.  
Insert cam nuts (4) as shown, with arrows pointing towards the top panel, then tighten cam nuts (4) using a phillips head screwdriver.

**STEP 9**



Insert adjustable shelf mounts (9) to the desired pre-drilled holes in centre panel (C) and side panel left (B), then slide adjustable shelf panel (G) into position.

**STEP 10**



Assembly complete.