

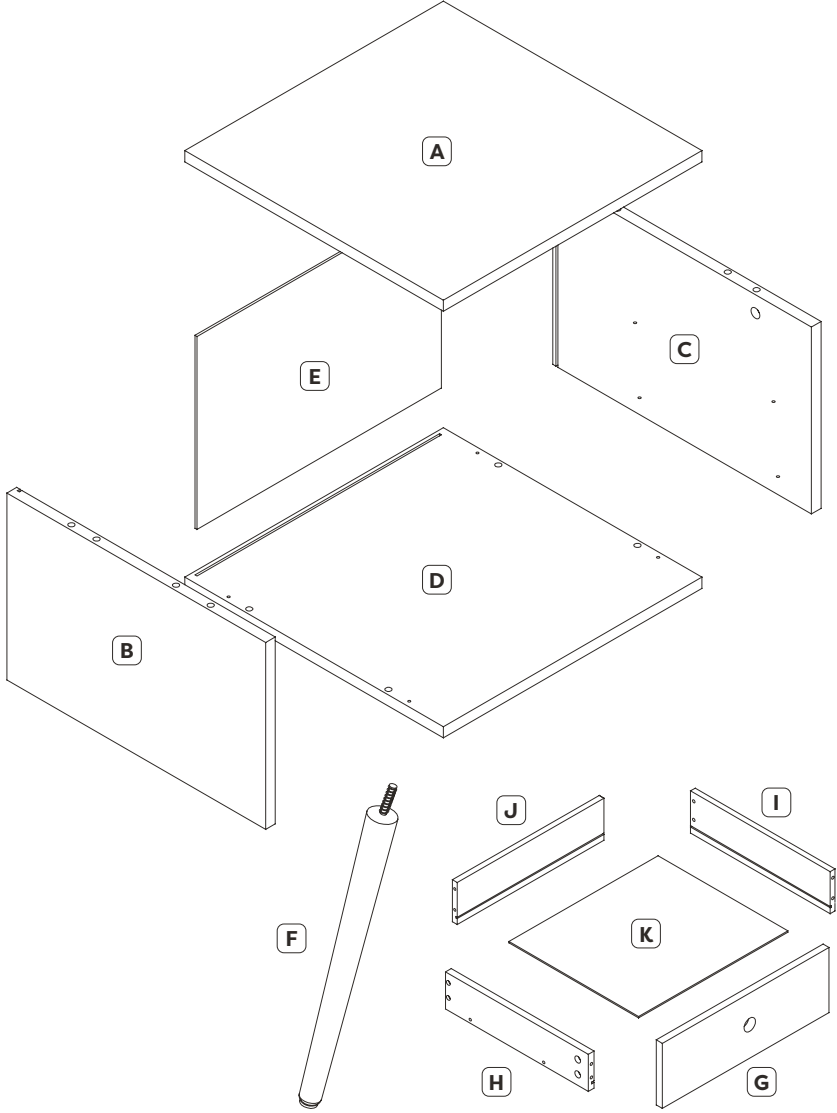


STEP 1

You will need:
Phillips Head Screwdriver

Parts list:

- A** Top Panel
- B** Side Panel Left
- C** Side Panel Right
- D** Bottom Panel
- E** Back Panel
- F** Leg x 4
- G** Drawer Front x 2
- H** Drawer Side Panel Left x 2
- I** Drawer Side Panel Right x 2
- J** Drawer Back Panel x 2
- K** Drawer Base Panel x 2



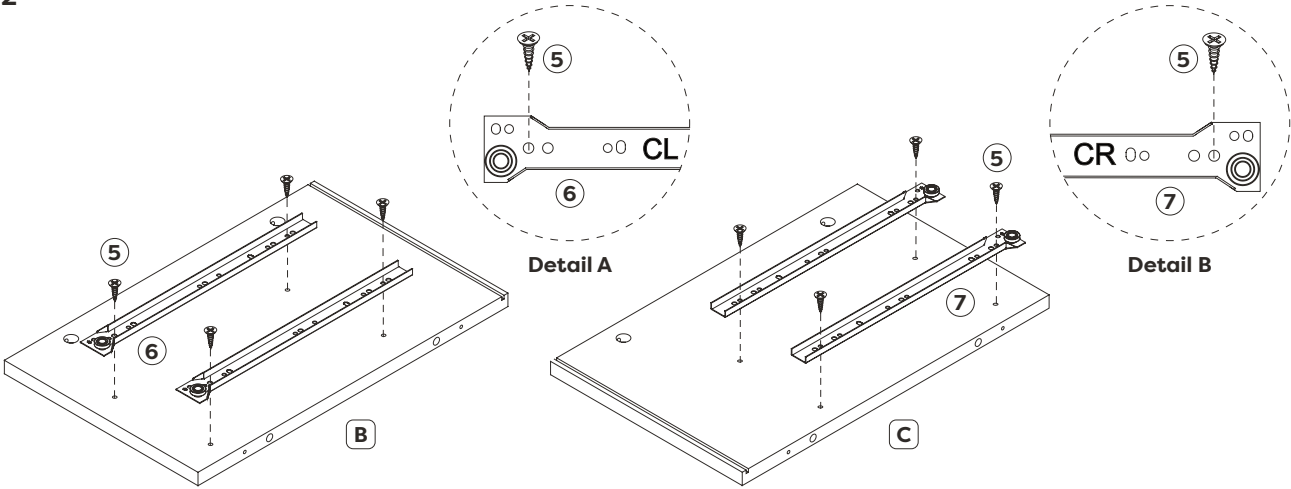
Hardware pack:

<p>1</p> <p>Wood Dowel x 8</p>	<p>2</p> <p>Medium Screw x 8</p>	<p>3</p> <p>Cam Bolt x 12</p>	<p>4</p> <p>Cam Nut x 12</p>	<p>5</p> <p>Short Flat Screw x 16</p>	<p>6</p> <p>Drawer Runner Outer Left x 2</p>
<p>7</p> <p>Drawer Runner Outer Right x 2</p>	<p>8</p> <p>Drawer Runner Inner Left x 2</p>	<p>9</p> <p>Drawer Runner Inner Right x 2</p>	<p>10</p> <p>Brace Clip x 4</p>	<p>11</p> <p>Small Brace Screw x 4</p>	<p>12</p> <p>Long Screw x 4</p>

Check included hardware.

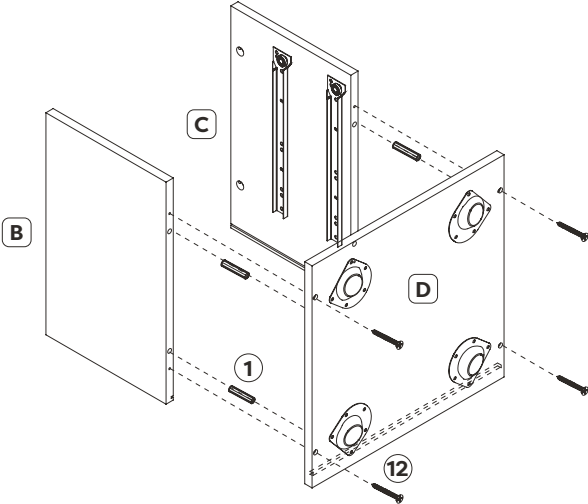


STEP 2



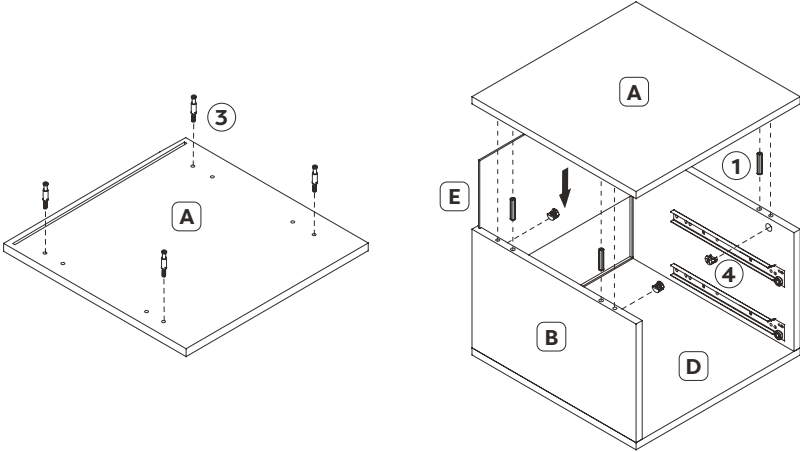
Attach 2x drawer runner outer left (6) to side panel left (B) using short flat screws (5) per detail A.
Attach 2x drawer runner outer right (7) to side panel right (C) using short flat screws (5) per detail B.

STEP 3



Insert wood dowels (1) to side panels (B and C), then attach to bottom panel (D) using long Screws (12).

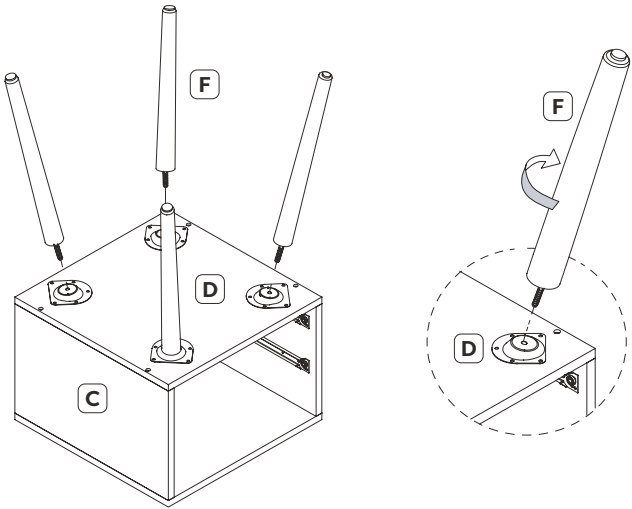
STEP 4



Insert cam bolts (3) into the pre-drilled holes in top panel (A) as shown. Slide back panel (E) into Grooves in side panels (B and C) and bottom panel (D). Insert wood dowels to pre-drilled holes in side panels (B and C), then align top panel and push into position. Insert cam nuts (4) into Pre-drilled holes in side panels (B and C), ensuring the arrow points towards the top panel. Tighten using a phillips head screwdriver.

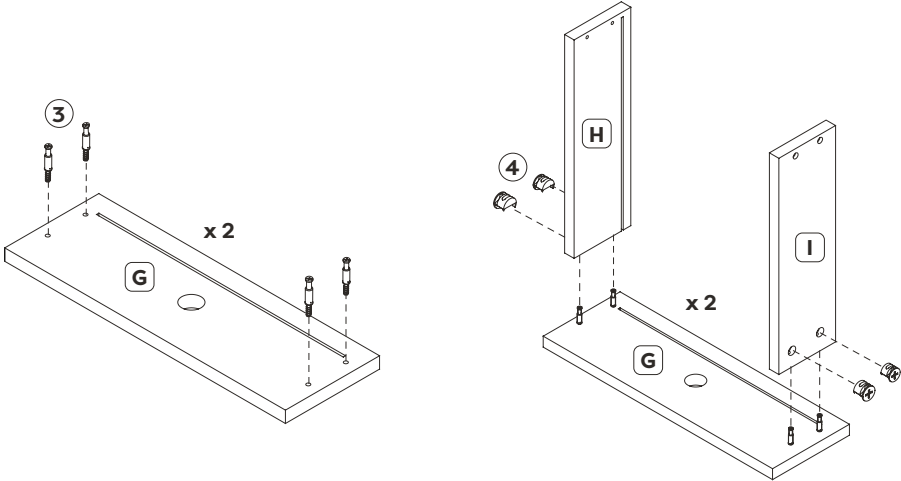


STEP 5



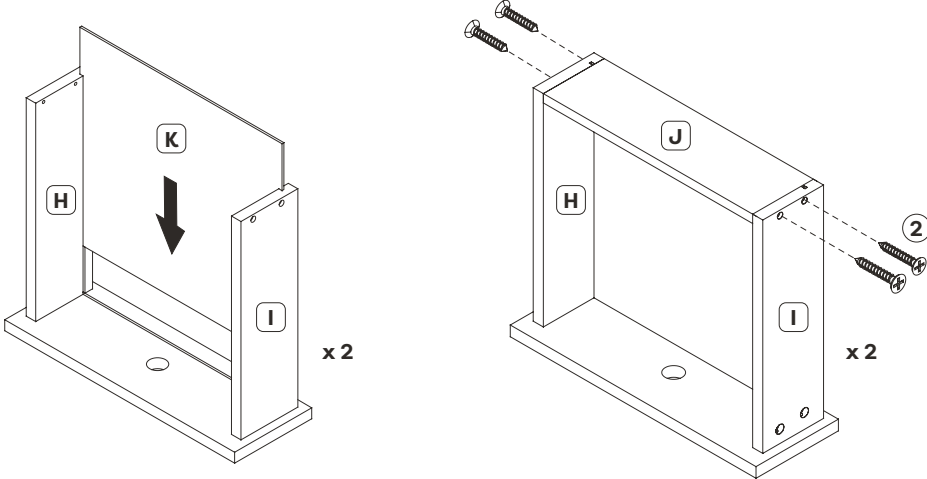
Attach legs (F) to bottom panel (D) by screwing into leg mount brackets already attached to The bottom panel (D).

STEP 6



Insert 4x cam bolts (3) to drawer front (g). Align holes in drawer side panels (H and I) to cam bolts in drawer front (G), then insert cam nuts (4) with the arrow pointing towards the drawer front. Tighten with a phillips head screwdriver. Repeat these steps to assemble the second drawer.

STEP 7

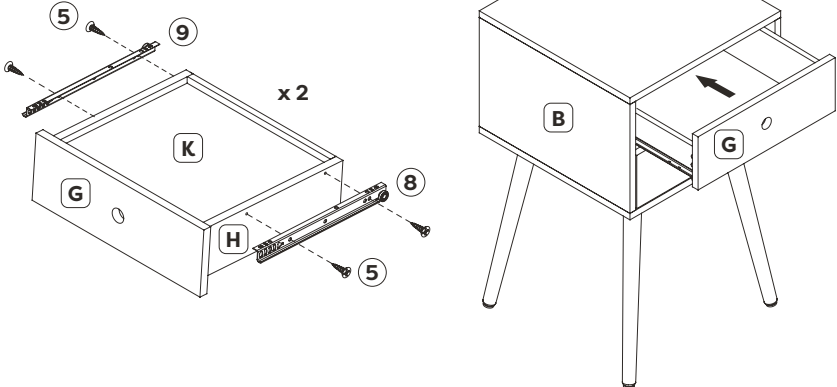


Slide drawer base panel (K) into grooves in drawer side panels (H and I) and drawer front. Fix Drawer back panel (J) to drawer side panels (H and I) using medium screws (2). Repeat these steps to assemble the second drawer.

ARLINGTON 2 DRAWER SIDE TABLE

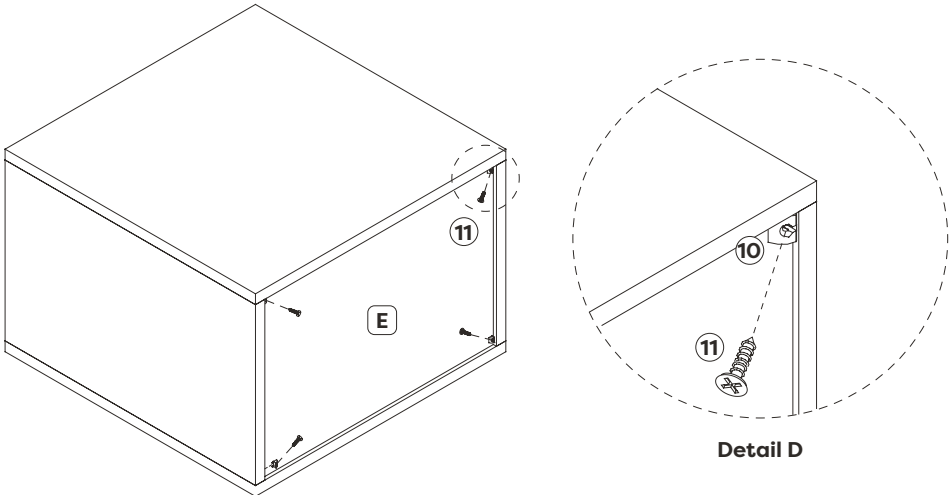


STEP 8



Attach drawer runner inner left (8) to drawer side panel left (H) using short flat screw (5).
 Attach drawer runner inner right (9) to drawer side panel right (I) using short flat screw (5).
 Align assembled drawer unit with drawer runners in the main assembly and slide into position. Repeat these steps for the second drawer.

STEP 9



Position brace clips (10) in each corner on the back of the unit as shown, and fasten using small brace screws (11) as shown in detail D.

STEP 10



Assembly complete.