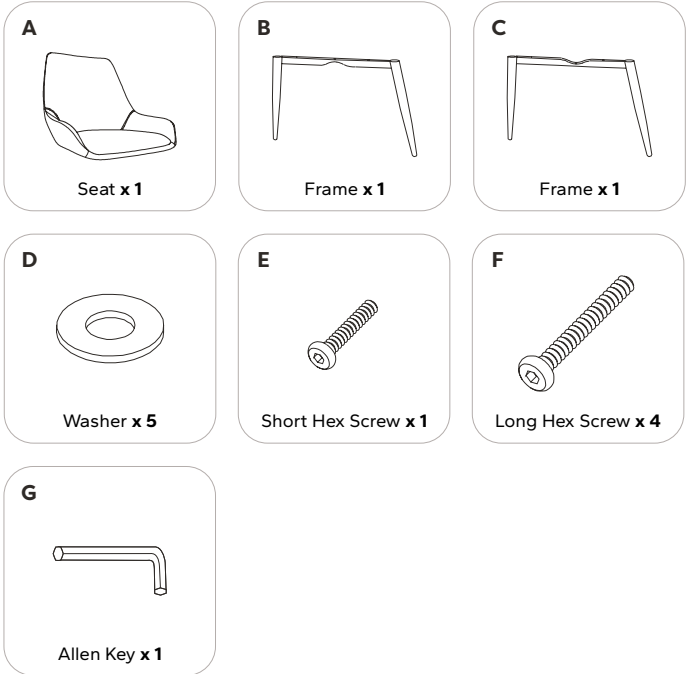


# FINAN DINING CHAIR

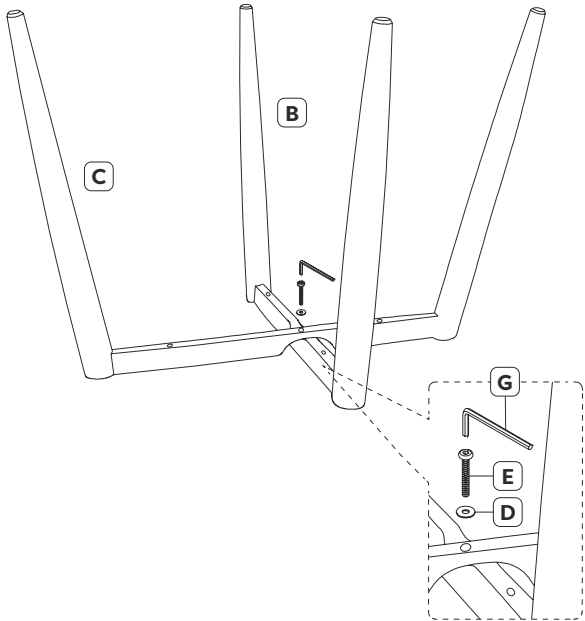


**STEP 1**



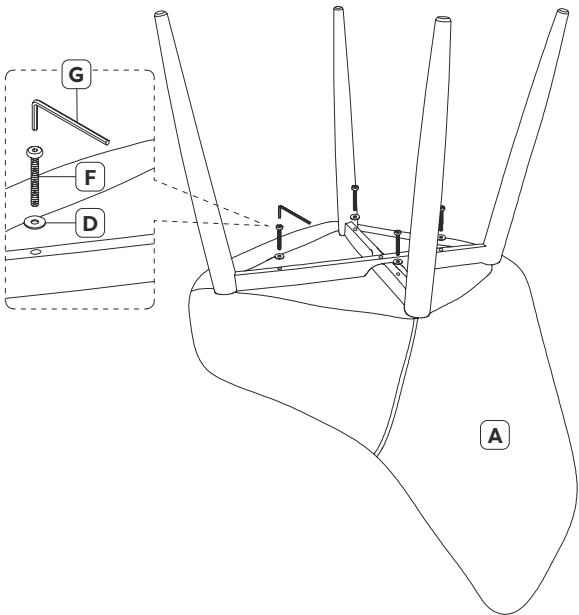
Check included hardware and chair components.

**STEP 2**



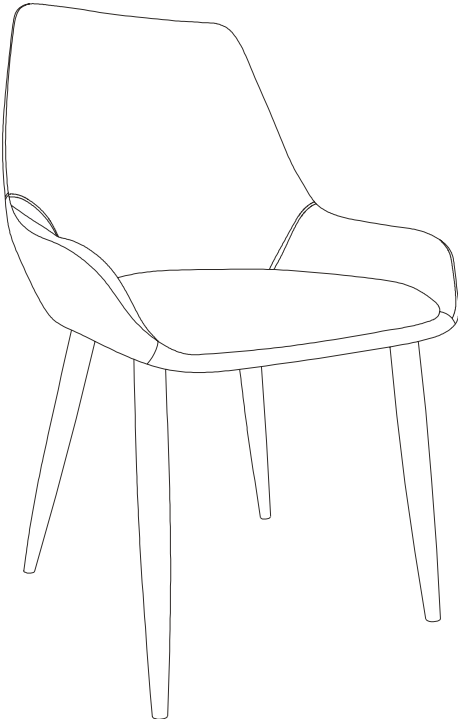
Attach frame (B) to frame (C) using 1x short hex screw (E) and 1x washer (D). Tighten using the allen key (G).

**STEP 3**



Attach Seat (A) to frame assembly using 4x long hex screws (F) and 4x washers (D). Tighten using the Allen Key (H).

**STEP 4**



Assembly complete.