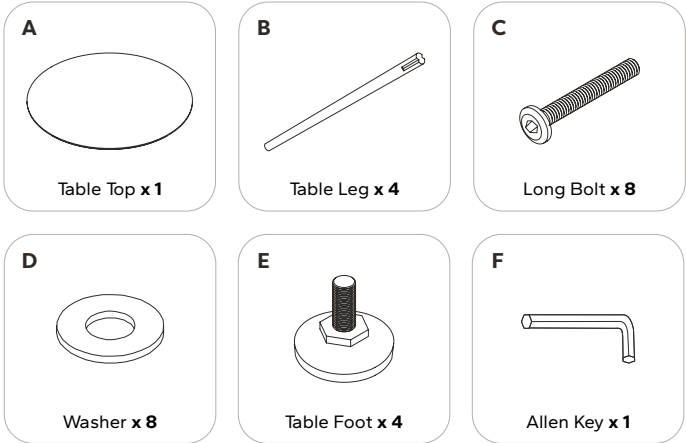


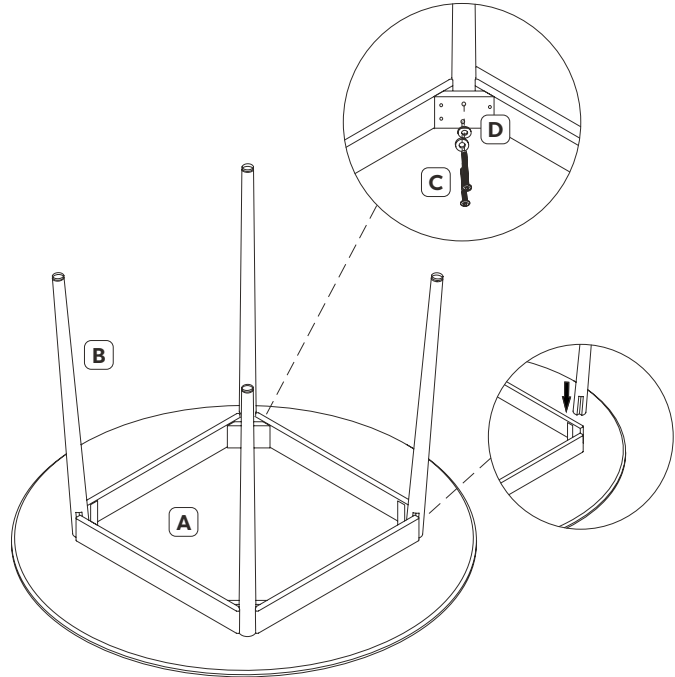


STEP 1



Check included hardware and chair components.

STEP 3



Attach table legs (B) to pre-assembled table top (A) using 2x long bolts (C) and 2x washers (D) per leg. Tighten using the allen key (E) provided.

STEP 2



Attach 1x Table foot (E) to the bottom of each leg (B) by screwing into the pre-drilled hole.

STEP 4



Assembly complete.