

---

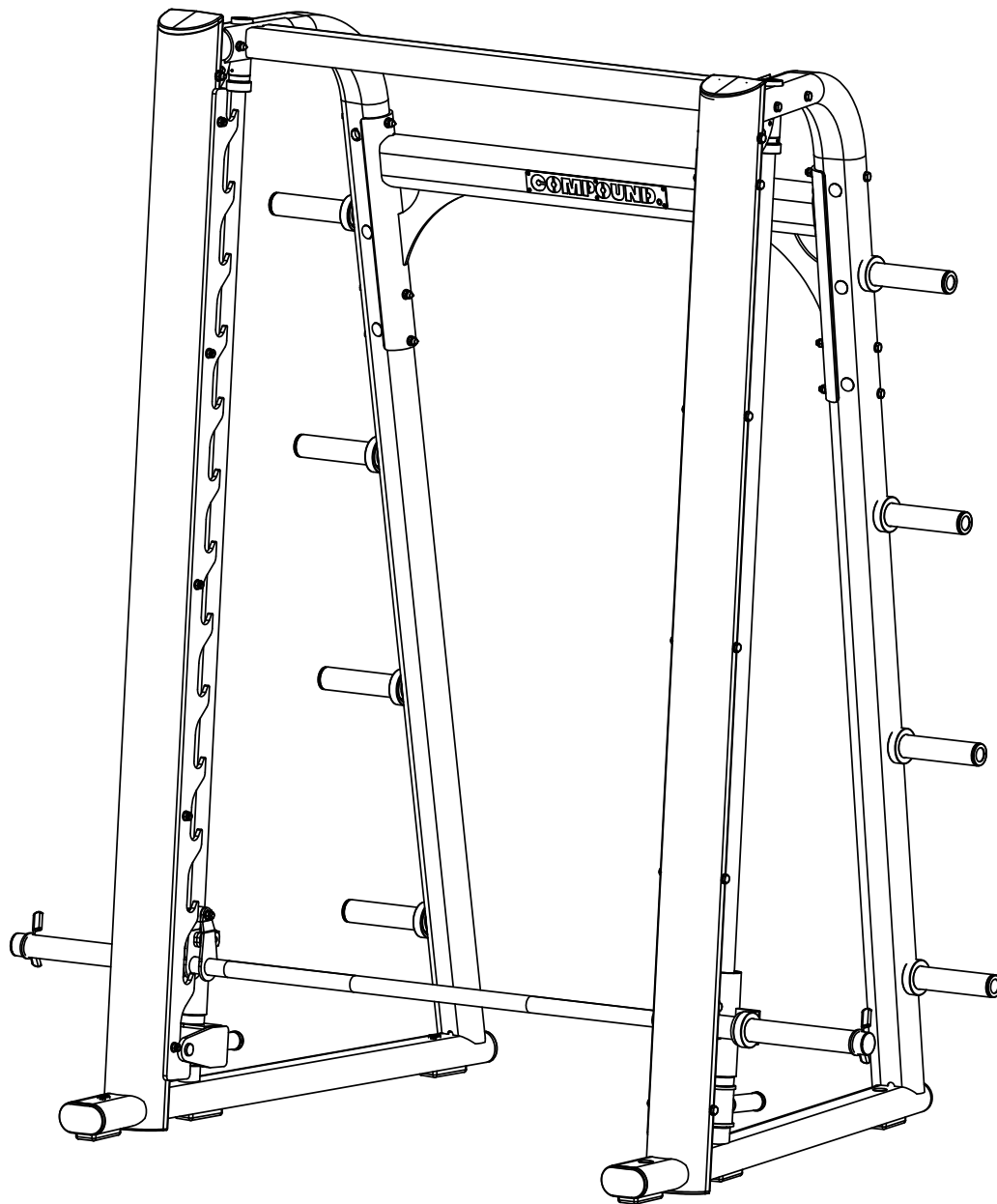
# ASSEMBLY INSTRUCTIONS

---

PLATINUM SERIES

## SMITH MACHINE

SKU: CPL-SMI-1030



**CAUTION:** Read all precautions and instructions before using this equipment. Save this manual for future reference.

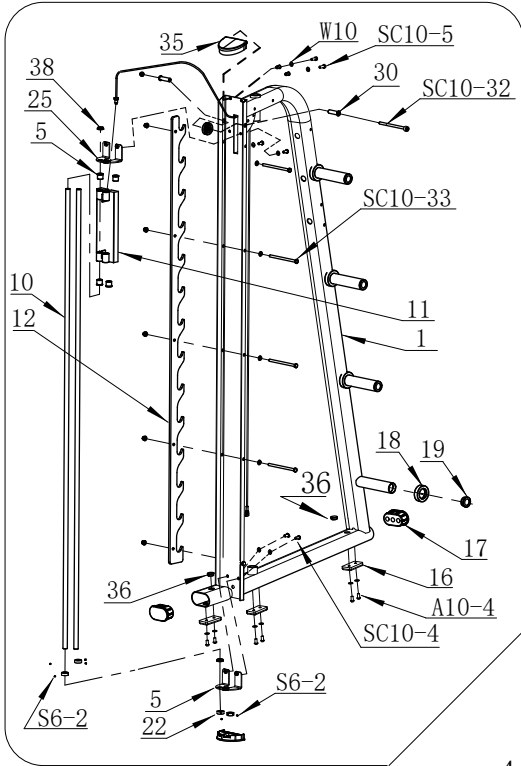
**COMPOUND**  
FITNESS EQUIPMENT

# ***Assembly Instructions***

## **Before Your Begin**

This exercise equipment is built for optimum safety. Be sure to read the entire manual before you assemble or operate your equipment. Please note the following safety precautions:

1. Keep children and pets away from the equipment at all times. Do not leave children unattended in the same room with the equipment.
2. Only one person at a time should use the equipment.
3. If the user experiences dizziness, nausea, chest pain, or any other abnormal symptoms STOP the workout at once. CONSULT A PHYSICIAN IMMEDIATELY.
4. Position the equipment on a clear, level surface. DO NOT use the equipment near water or outdoors.
5. Keep hands away from all moving parts.
6. Always wear appropriate workout clothing when exercising. DO NOT wear robes or other clothing that could become caught in the equipment.
7. Use the equipment only for its intended use as described in this manual. DO NOT use attachments not recommended by the manufacturer.
8. Before using the equipment, always do stretching exercises to properly warm up.
9. Never operate the equipment if the equipment is not functioning properly.

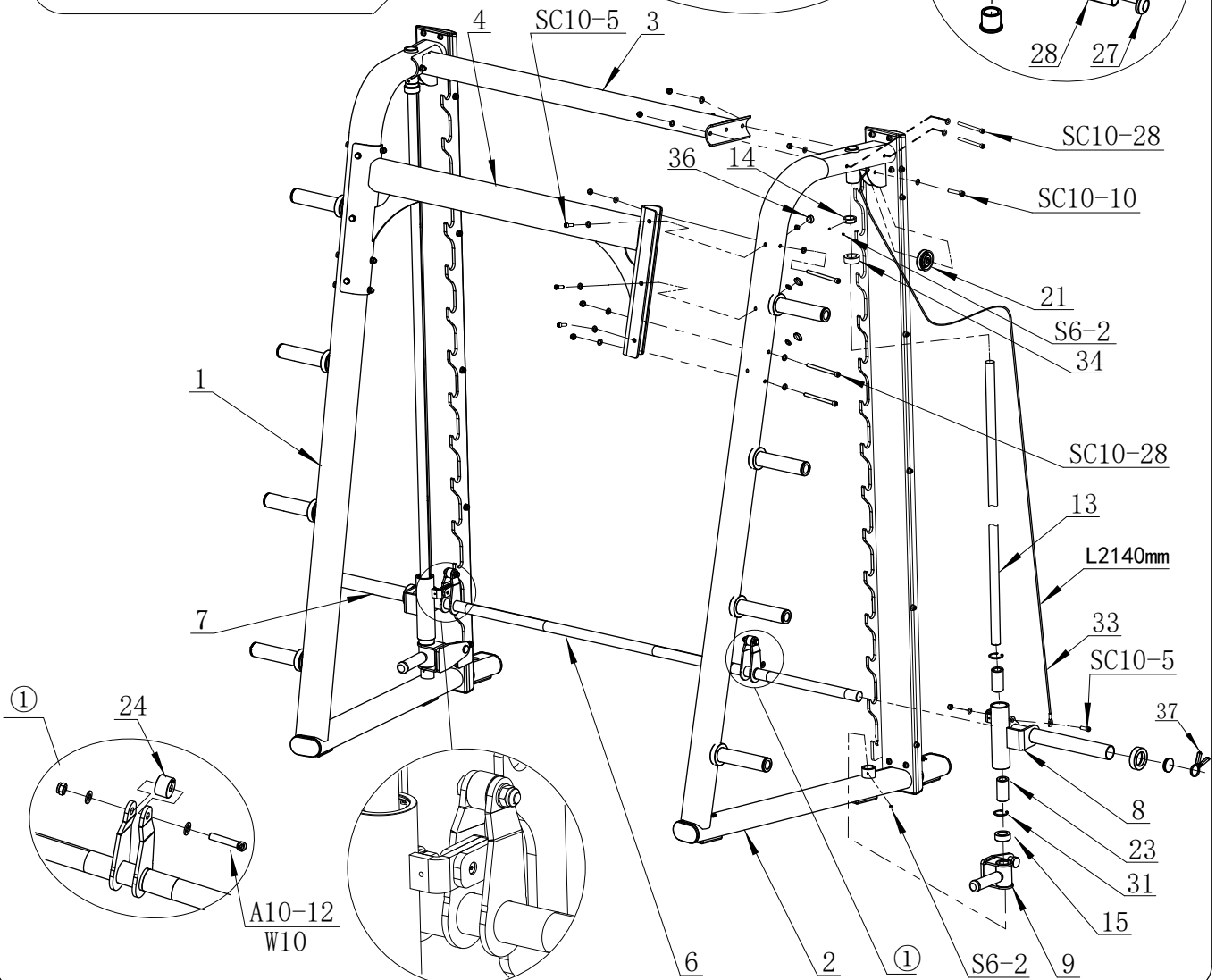
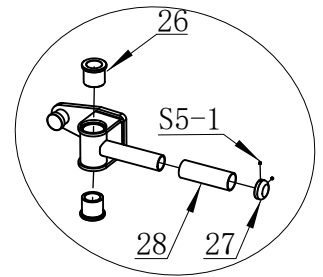
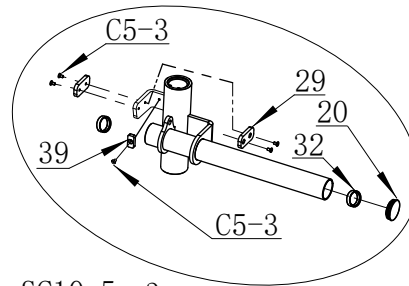


### INFORMATION

- We recommend you have someone assist you in lifting and assembling your gym.
- Follow these steps carefully and it will make it easier to assemble your gym.

### NOTE:

Tighten the six back bolts(H10-28) at first , and then tighten the four top bolts(H10-28).



# PARTS LIST

PART#	DESCRIPTION	Qty
1	LEFT MAIN FRAME	1
2	RIGHT MAIN FRAME	1
3	TOP CROSSBAR	1
4	BACK CROSSBAR	1
5	ROD CARRIAGE	4
6	BAR	1
7	CARRIAGE LEFT	1
8	CARRIAGE RIGHT	1
9	BAR STOP	2
10	COUNTER WEIGHT	2
11	COUNTER WEIGHT GUIDE ROD	4
12	HANGING PLATE	2
13	GUIDE ROD	2
14	ALUMINIUM RING	2
15	SHOCK GASKET OD30.5X20	2
16	RUBBER FOOT	6
17	END CAP 114X65	4
18	RUBBER RING	10
19	INNER CAP D42	8
20	INNER CAP D48	2
21	PULLEY	4
22	SHAFT COLLAR	8
23	LINEAR BEARING	4
24	BEARING YCRS20	2
25	PLASTIC BUSHING D28	8
26	PLASTIC BUSHING D32	4
27	ALUMINIUM CAP	2
28	GRIP	2
29	PLASTIC STOPER	4
30	PULLEY SPACER SLEEVE	4
31	LOCK WASHER	4
32	NEEDLE BEARING	4
33	CABLE L2145mm	2
34	SHOCK GASKET OD29.8X15	2
35	D SHAPE END CAP	4
36	INNER CAP D25	10
37	SPRING CLIP	2
38	ADJUSTER RING	8
39	SMALL PLASTIC STOPER	2

PART#	DESCRIPTION	Qty
SC10-4	Socket Cap Screw M10X20	8
SC10-5	Socket Cap Screw M10X25	12
SC10-10	Socket Cap Screw M10X50	2
A10-12	Allen Bolt M10X60	2
SC10-28	Socket Cap Screw M10X140	10
SC10-32	Socket Cap Screw M10X160	2
SC10-33	Socket Cap Screw M10X165	10
A10-4	ALLEN BOLT M10X20	12
W10	WASHER φ10	82
N10	NYLON NUT M10	34
C5-3	Countersunk Head Screw M5X8	10
S5-1	SOCKET SET SCREW M5X4	8
S6-2	SOCKET SET SCREW M6X6	22